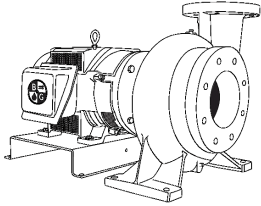


|   |  |  |
|---|--|--|
| <b>JOB:</b><br><br><b>UNIT TAG:</b><br><b>ENGINEER:</b><br><b>CONTRACTOR:</b> | <b>REPRESENTATIVE:</b><br><br><b>ORDER NO.:</b><br><b>SUBMITTED BY:</b><br><b>APPROVED BY:</b> | <b>DATE:</b><br><b>DATE:</b><br><b>DATE:</b> |
|---|--|--|



# 5G

## Series 1531

### Close-Coupled Centrifugal Pumps

**SPECIFICATIONS**

FLOW \_\_\_\_\_ HEAD \_\_\_\_\_

HP \_\_\_\_\_ RPM \_\_\_\_\_

VOLTS \_\_\_\_\_

CYCLE \_\_\_\_\_ PHASE \_\_\_\_\_

ENCLOSURE \_\_\_\_\_

APPROX. WEIGHT \_\_\_\_\_

SPECIALS \_\_\_\_\_

**MATERIALS OF CONSTRUCTION**

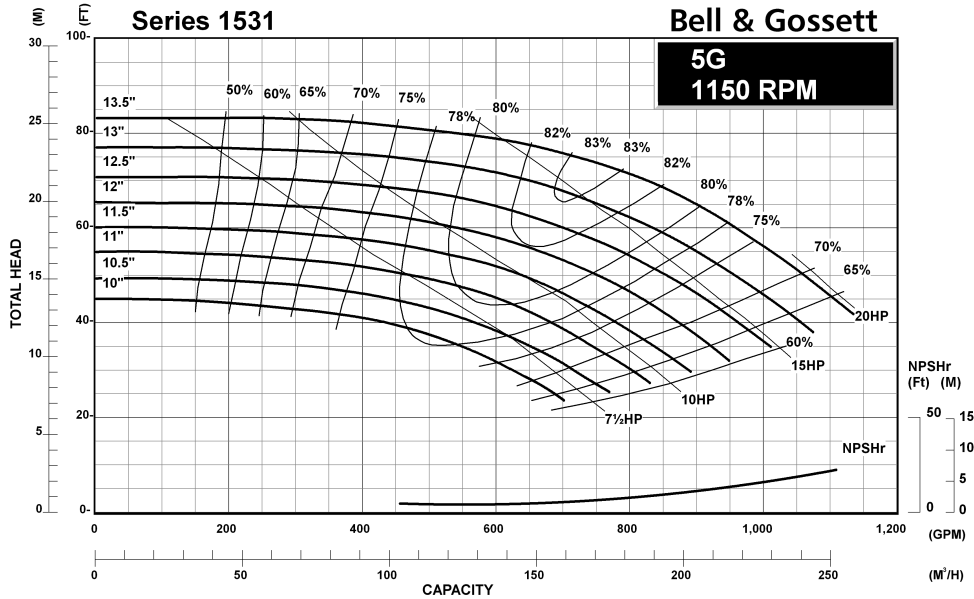
BRONZE FITTED

**MAXIMUM WORKING PRESSURE**

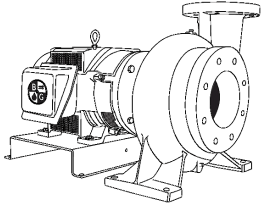
175 psi (12 bar) W.P.  
with 125# ANSI flange drilling

**TYPE OF SEAL**

- 1531 Standard Seal  
(Buna-Carbon/Ceramic)
- 1531 -F Standard Seal w/ Flush Line  
(Buna-Carbon/Ceramic)
- 1531 -S Stuffing Box construction w/ Flushed  
Mechanical Single Seal  
(EPR-Tungsten Carbide/Carbon)
- 1531 -D Stuffing Box construction w/ Flushed  
Double Mechanical Seal  
(EPR-Carbon/Ceramic)  
Requires external water source
- 1531 -PF Stuffing Box Construction  
w/ Flushed Packing  
(Graphite Impregnated Teflon)



|             |                 |
|-------------|-----------------|
| JOB:        | REPRESENTATIVE: |
| UNIT TAG:   | ORDER NO.       |
| ENGINEER:   | SUBMITTED BY:   |
| CONTRACTOR: | APPROVED BY:    |
|             | DATE:           |
|             | DATE:           |
|             | DATE:           |



# 5G

## Series 1531

### Close-Coupled Centrifugal Pumps

**SPECIFICATIONS**

FLOW \_\_\_\_\_ HEAD \_\_\_\_\_

HP \_\_\_\_\_ RPM \_\_\_\_\_

VOLTS \_\_\_\_\_

CYCLE \_\_\_\_\_ PHASE \_\_\_\_\_

ENCLOSURE \_\_\_\_\_

APPROX. WEIGHT \_\_\_\_\_

SPECIALS \_\_\_\_\_

\_\_\_\_\_

**MATERIALS OF CONSTRUCTION**

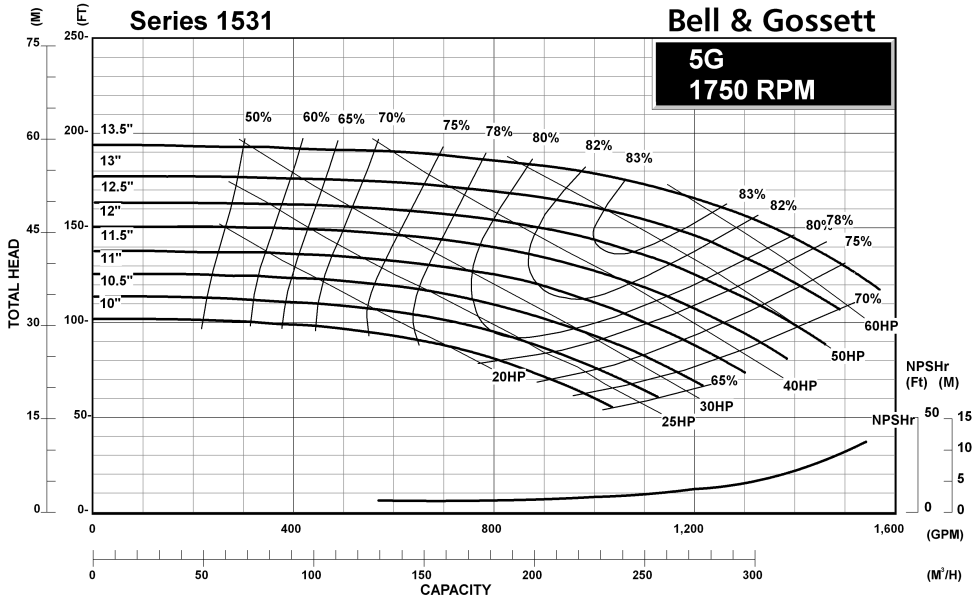
BRONZE FITTED

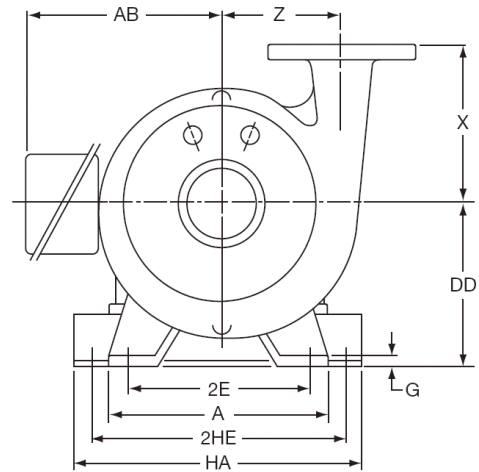
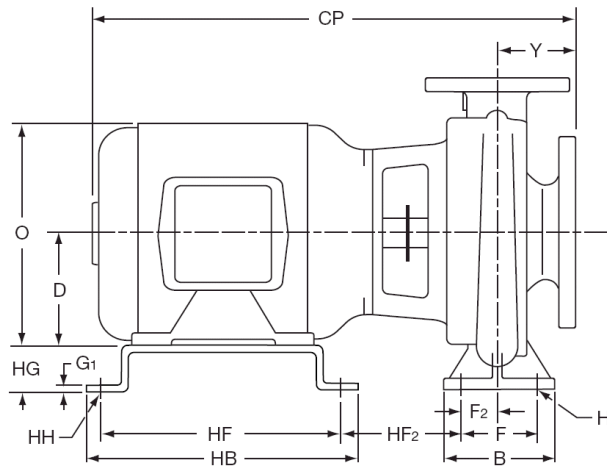
**MAXIMUM WORKING PRESSURE**

175 psi (12 bar) W.P.  
with 125# ANSI flange drilling

**TYPE OF SEAL**

- 1531 Standard Seal  
(Buna-Carbon/Ceramic)
- 1531 -F Standard Seal w/ Flush Line  
(Buna-Carbon/Ceramic)
- 1531 -S Stuffing Box construction w/ Flushed  
Mechanical Single Seal  
(EPR-Tungsten Carbide/Carbon)
- 1531 -D Stuffing Box construction w/ Flushed  
Double Mechanical Seal  
(EPR-Carbon/Ceramic)  
Requires external water source
- 1531 -PF Stuffing Box Construction  
w/ Flushed Packing  
(Graphite Impregnated Teflon)





| SIZE OF PUMP AND DISCHARGE | SUCTION | PUMP DIMENSIONS IN INCHES (MM) |          |         |         |
|----------------------------|---------|--------------------------------|----------|---------|---------|
|                            |         | DD                             | X        | Y       | Z       |
| 5G                         | 6       | 12 (305)                       | 13 (330) | 6 (152) | 9 (229) |

125# ANSI FLANGE DIMENSIONS - INCHES (MM)

| PIPE SIZE OF FLANGE | O.D. OF FLANGE | DIA. OF BOLT CIRCLE | NO. OF BOLTS | SIZE OF BOLTS |
|---------------------|----------------|---------------------|--------------|---------------|
| 5                   | 10-3/4 (273)   | 8-1/2 (216)         | 8            | 3/4 (19)      |
| 6                   | 12-1/8 (308)   | 9-1/2 (241)         | 8            | 3/4 (19)      |

DIMENSIONS – Inches (mm)

STANDARD SEAL 1531, 1531-F, 1531-S, Packing Seal

| MOTOR FRAME | A        | AB          | HB           | CP          | D          | HF          | G      | G1       | H         | HH        | HA          | F2         | 2E       | 2HE      | HF2        | B        | F       | O           | HG         |
|-------------|----------|-------------|--------------|-------------|------------|-------------|--------|----------|-----------|-----------|-------------|------------|----------|----------|------------|----------|---------|-------------|------------|
| 254JP       | 23 (584) | 8 (203)     | 16.125 (410) | 30.81 (782) | 6.25 (159) | 14.88 (378) | 1 (25) | 0.25 (6) | 0.88 (22) | 0.62 (16) | 22.25 (565) | 4.19 (106) | 21 (533) | 21 (533) | 4.56 (116) | 11 (279) | 9 (229) | 10.88 (276) | 5.75 (146) |
| 256JP       | 23 (584) | 8.94 (227)  | 16.125 (410) | 32.69 (830) | 6.25 (159) | 14.88 (378) | 1 (25) | 0.25 (6) | 0.88 (22) | 0.62 (16) | 22.25 (565) | 4.19 (106) | 21 (533) | 21 (533) | 6.25 (159) | 11 (279) | 9 (229) | 12.94 (329) | 5.75 (146) |
| 284JP       | 23 (584) | 11.5 (292)  | 20.25 (514)  | 32.88 (835) | 7 (178)    | 18.25 (464) | 1 (25) | 0.25 (6) | 0.88 (22) | 0.75 (19) | 23 (584)    | 4.19 (106) | 21 (533) | 21 (533) | 3.25 (82)  | 11 (279) | 9 (229) | 13.88 (352) | 5 (127)    |
| 286JP       | 23 (584) | 11.5 (292)  | 20.25 (514)  | 34.38 (873) | 7 (178)    | 18.25 (464) | 1 (25) | 0.25 (6) | 0.88 (22) | 0.75 (19) | 23 (584)    | 4.19 (106) | 21 (533) | 21 (533) | 4.75 (121) | 11 (279) | 9 (229) | 13.88 (352) | 5 (127)    |
| 324JP       | 23 (584) | 14.06 (357) | 19 (483)     | 34.81 (884) | 8 (203)    | 17.5 (445)  | 1 (25) | 0.25 (6) | 0.88 (22) | 0.62 (16) | 22.5 (571)  | 4.19 (106) | 21 (533) | 21 (533) | 4.94 (125) | 11 (279) | 9 (229) | 15.94 (405) | 4 (102)    |
| 326JP       | 23 (584) | 14.06 (357) | 19 (483)     | 36.31 (922) | 8 (203)    | 17.5 (445)  | 1 (25) | 0.25 (6) | 0.88 (22) | 0.62 (16) | 22.5 (571)  | 4.19 (106) | 21 (533) | 21 (533) | 6.44 (163) | 11 (279) | 9 (229) | 15.94 (405) | 4 (102)    |

Dimensions are subject to change. Not to be used for construction purposes unless certified.

Xylem Inc.  
 8200 N. Austin Avenue  
 Morton Grove, IL 60053  
 Phone: (847)966-3700  
 Fax: (847)965-8379  
 www.bellgossett.com

