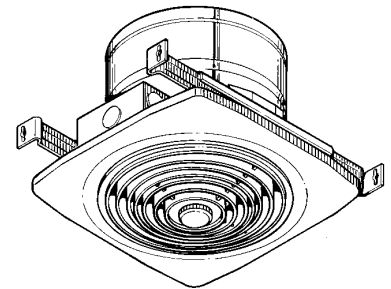




MODELS 504 & 505 UTILITY VENTILATION FANS - VERTICAL DISCHARGE



**Efficient, high-performance for ceiling installations.
Offered in two sizes to meet various room requirements.**

FEATURES

GRILLE:

- Contemporary styling for modern homes
- White polymeric grilles can be painted to match any decor
- Aluminum filter available (purchase separately)

MOTOR:

- Permanently lubricated, thermally protected, plug-in motor
- Specially designed fiberglass-reinforced fan blades
- Motor assembly offers fast, easy "twist-lock" installation
- Model 504 - 10" (254 mm) diameter fan blade, Model 505 - 8" (203.2 mm) diameter fan blade

HOUSING:

- Housing 25 gauge finished with rugged electrically-bonded epoxy paint
- Model 505 has built-in back draft damper
- Adjustable mounting brackets with keyhole slots span 14" (355.6 mm) to 24" (609.6 mm)
- Model 472 Reducer-Damper available separately allows Model 504 to use 8" (203.2 mm) round duct and adds a damper

TYPICAL SPECIFICATION

Ventilator shall be Broan Model 504 or 505.

Ventilator shall duct vertically, to an outside roof cap. Can be controlled with toggle switch (speed control).

Ventilator shall have steel housing finished with electrically bonded epoxy paint.

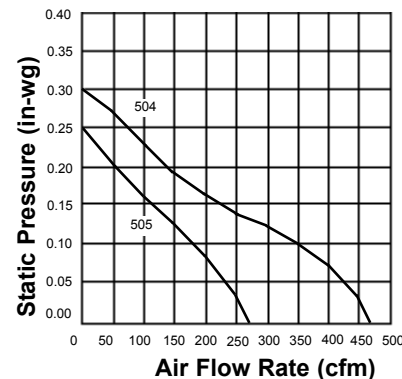
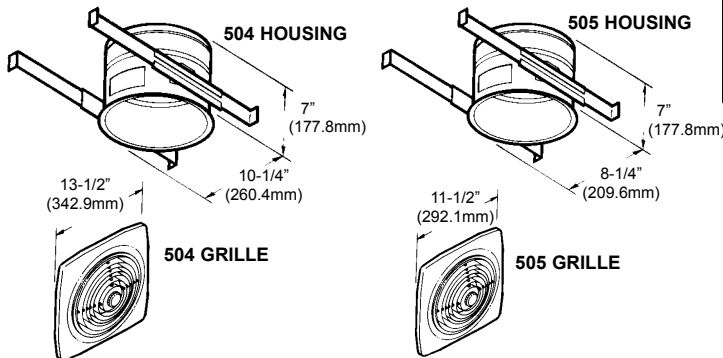
Motor assembly shall be removable and permanently lubricated. RPM shall not exceed 1600 (Model 504) (1975 RPM – Model 505).

Model 505 is CSA certified for kitchen use when used with aluminum filter - Model number 99010042 (purchase separately).

Air delivery shall be no less than 350 CFM (165.2 L/s) and sound levels no greater than 6.5 Sones (Model 504) or 180 CFM (85.0 L/s) and 6.5 Sones (Model 505). All air and sound ratings shall be certified by HVI. Units shall be CSA certified.

SPECIFICATIONS

MODEL	VOLTS	AMPS	RPM	SONES	CFM (L/s)	Duct (Round)
504	120	1.7	1600	6.5	350 (165.2)	10" (254mm)
505	120	1.5	1975	6.5	180 (85.0)	8" (203.2mm)



HVI-2100 CERTIFIED RATINGS comply with the new testing technologies and procedures prescribed by the Home Ventilation Institute, for off-the-shelf products, as they are available to consumers. Product performance is rated at 0.1 in. static pressure, based on tests conducted in AMCA's state-of-the-art laboratory. Sones are a measure of humanly produced loudness, based on laboratory measurements.



Broan-NuTone LLC, Hartford, Wisconsin, U.S.A. 53027
Broan-NuTone Canada Inc., Mississauga, Ontario, Canada L5T 1H9

REFERENCE	QTY.	REMARKS	Project
			Location
			Architect
			Engineer
			Contractor
			Submitted by Date