

SERIES 4280 | END SUCTION MOTOR MOUNTED CLOSED-COUPLED | 4 × 3 × 8 | SUBMITTAL

File No: 42.63
Date: SEPTEMBER 10, 2012
Supersedes: 42.63
Date: DECEMBER 15, 2010

Job: _____ Representative: _____
 _____ Order no: _____ Date: _____
 Engineer: _____ Submitted by: _____ Date: _____
 Contractor: _____ Approved by: _____ Date: _____

PUMP DESIGN DATA

No. of pumps: _____ Tag: _____
 Capacity: _____ USgpm (L/s) Head: _____ ft (m)
 Liquid: _____ Viscosity: _____
 Temperature: _____ °F (°C) Specific gravity: _____
 Suction: 4" (100mm) Flanged
 Discharge: 3" (75mm) Flanged

MOTOR DESIGN DATA

HP: _____ RPM: _____ Frame size: _____ Enclosure: _____
 Volts: _____ Hertz: 60 Hz Phase: 3
 Efficiency: Energy EFF 12.11 NEMA premium 12.12

MATERIALS OF CONSTRUCTION

| ANSI FLANGE RATING | ANSI 125 | ANSI 250 |
|---------------------|-----------------------------|------------------------------|
| Construction | <input type="checkbox"/> BF | <input type="checkbox"/> DBF |
| Casing | Cast iron | Ductile iron |
| Adapter | Cast iron | Ductile iron |

Impeller: Bronze

Gasket: Confined non-asbestos fiber

Shaft: Carbon steel

Shaft sleeve: Bronze

MAXIMUM PUMP OPERATING CONDITIONS

ANSI 125

175 psig at 150°F (12 bars at 65°C)
 140 psig at 250°F (10 bars at 121°C)

ANSI 250

300 psig at 150°F (20 bars at 65°C)
 250 psig at 250°F (17 bars at 121°C)

- Tolerance of ±0.125" (±3 mm) should be used
- See performance curves on page 3
- For exact installation, data please write factory for certified dimensions
- Pump equipped with casing drain plug and ¼" NPT suction and discharge gauge ports

MECHANICAL SEAL DATA

Seal type: 2A **Stationary seat:** Silicone carbide
Secondary seal: EPDM **Rotating hardware:** Stainless steel
Spring: Stainless steel

OPTIONAL EQUIPMENT

| FLUID TYPE | ALL GLYCOLS > 30% WT CONC | | ALL OTHER NON-POTABLE FLUIDS | | POTABLE (DRINKING) WATER | |
|-----------------------|---------------------------|-------------------|------------------------------|------------------------|--------------------------|-------------------|
| | up to 200°F (93°C) | over 200°F (93°C) | up to 200°F (93°C) | over 200°F (93°C) | up to 200°F (93°C) | over 200°F (93°C) |
| Temperature | up to 200°F (93°C) | over 200°F (93°C) | up to 200°F (93°C) | over 200°F (93°C) | up to 200°F (93°C) | over 200°F (93°C) |
| Rotating face | Silicone carbide | | Resin bonded carbon | Antimony loaded carbon | Resin bonded carbon | |
| Seat elastomer | EPDM (L-cup) | EPDM (O-ring) | EPDM (L-cup) | EPDM (O-ring) | EPDM (L-cup) | EPDM (O-ring) |
| Material code | SCSC L EPSS 2A | SCSC O EPSS 2A | C-SC L EPSS 2A | ACSC O EPSS 2A | C-SC L EPSS 2A | C-SC O EPSS 2A |

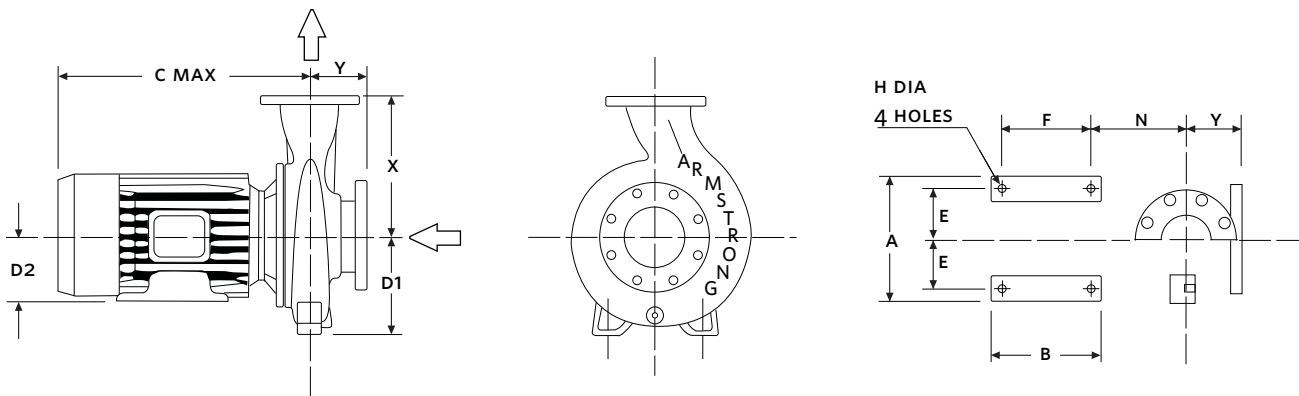
| MOTOR | HP @ RPM (ODP & TEFC) | | | MAX. DIMENSIONS INCHES (mm) | | | | | | | | | | ASSEMBLY WEIGHT* | |
|-------|--------------------------|------|------|-----------------------------|----------------|----------------|----------------|---------------|---------------|---------------|----------------|--------------|----------------|------------------|----------------|
| | 3600 | 1800 | 1200 | A | B | C MAX | | D1 | D2 | E | F | H | N | lbs (kgs) | |
| FRAME | | | | | | ODP | TEFC | | | | | | | ODP | TEFC |
| 145JM | — | 2 | 1 | 7.00 (178) | 6.00 (152) | 14.00 (356) | 16.00 (406) | 6.63 (168) | 3.50 (89) | 2.75 (70) | 5.00 (127) | 0.35 (9) | 6.63 (168) | 136 (61.7) | 141 (64.0) |
| 182JM | — | 3 | 1.5 | 9.00 (229) | 5.75 (146) | 15.00 (381) | 17.00 (432) | 6.63 (168) | 4.50 (114) | 3.75 (95) | 4.50 (114) | 0.41 (10) | 7.38 (187) | 167 (75.8) | 169 (76.7) |
| 184JM | — | 5 | — | 9.00 (229) | 6.75 (172) | 16.00 (406) | 18.00 (457) | 6.63 (168) | 4.50 (114) | 3.75 (95) | 5.50 (140) | 0.41 (10) | 7.38 (187) | 176 (79.9) | 171 (77.6) |
| 213JP | — | 7.5 | 2 | 10.50 (267) | 7.00 (178) | 21.00 (533) | 23.00 (584) | 6.63 (168) | 5.25 (133) | 4.25 (108) | 5.50 (140) | 0.41 (10) | 12.13 (308) | 201 (91.3) | 211 (95.8) |
| 215JP | 15 | — | — | 10.50 (267) | 8.50 (216) | 23.00 (584) | 25.00 (635) | 6.63 (168) | 5.25 (133) | 4.25 (108) | 7.00 (178) | 0.41 (10) | 12.13 (308) | 241 (109.4) | 251 (114.0) |
| 254JM | 20 | — | — | 12.38 (314) | 10.50 (267) | 22.00 (559) | 24.00 (610) | 6.63 (168) | 6.25 (159) | 5.00 (127) | 8.25 (210) | 0.53 (13) | 9.75 (248) | 261 (118.5) | 326 (148.0) |
| 256JM | 25 | — | — | 12.38 (314) | 12.25 (311) | 24.00 (610) | 26.00 (660) | 6.63 (168) | 6.25 (159) | 5.00 (127) | 10.00 (254) | 0.53 (13) | 9.75 (248) | 296 (134.4) | 361 (163.9) |
| 284JM | 30 | — | — | 13.88 (353) | 12.25 (311) | 24.00 (610) | 26.00 (660) | 6.63 (168) | 7.00 (178) | 5.50 (140) | 9.50 (241) | 0.53 (13) | 9.75 (248) | 331 (150.3) | 401 (182.1) |
| 286JM | 40 | — | — | 13.88 (353) | 13.75 (349) | 26.00 (660) | 27.00 (686) | 6.63 (168) | 7.00 (178) | 5.50 (140) | 11.00 (279) | 0.53 (13) | 9.75 (248) | 421 (191.1) | 511 (232.0) |
| 324JM | 50 | — | — | 15.88 (403) | 13.75 (349) | 26.00 (660) | 29.00 (737) | 6.63 (168) | 8.00 (203) | 6.25 (159) | 10.50 (267) | 0.66 (17) | 10.25 (260) | 521 (236.5) | 631 (286.5) |

PUMP DIMENSIONS

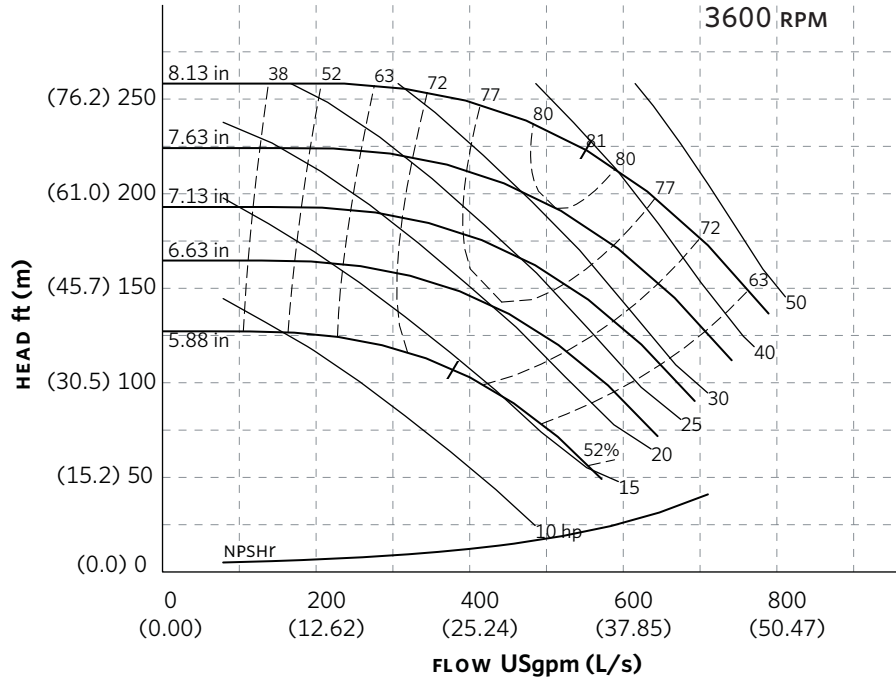
inches (mm)

| X | Y |
|-------------|------------|
| 11.00 (279) | 4.00 (102) |

*Assembly weight combines pump and motor.



SERIES 4280 PERFORMANCE CURVES



Curve number
PT80-1-0-3600

Series
4030
4280

Size
4 × 3 × 8

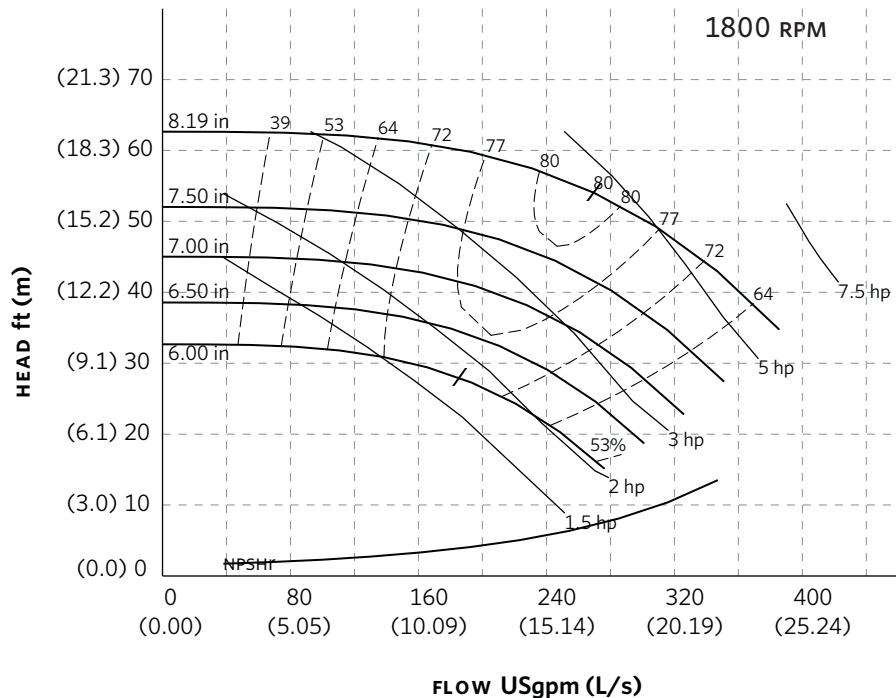
RPM
3600

BHP based on shown
Fluid's sp. gr.

Availability
4030 all ratings
4280 all ratings

Performance
guaranteed only
at operating point
indicated.

Curve shown for
clear, cold water
- SP. GR. 1.0000



Curve number
PT79-1-0-1800

Series
4030
4280

Size
4 × 3 × 8

RPM
1800

BHP based on shown
Fluid's sp. gr.

Availability
4030 all ratings
4280 all ratings

Performance
guaranteed only
at operating point
indicated.

Curve shown for
clear, cold water
- SP. GR. 1.0000

Performance curves are for reference only.
Confirm current performance data with Armstrong ACE ONLINE selection software.

TORONTO

23 BERTRAND AVENUE
TORONTO, ONTARIO
CANADA
M1L 2P3
+1 416 755 2291

BUFFALO

93 EAST AVENUE
NORTH TONAWANDA, NEW YORK
U.S.A.
14120-6594
+1 716 693 8813

BIRMINGHAM

HEYWOOD WHARF, MUCKLOW HILL
HALESOWEN, WEST MIDLANDS
UNITED KINGDOM
B62 8DJ
+44 (0) 8444 145 145

MANCHESTER

WENLOCK WAY
MANCHESTER
UNITED KINGDOM
M12 5JL
+44 (0) 8444 145 145

BANGALORE

#59, FIRST FLOOR, 3RD MAIN
MARGOSA ROAD, MALLESWARAM
BANGALORE, INDIA
560 003
+91 (0) 80 4906 3555

SHANGHAI

NO. 1619 HU HANG ROAD, XI DU TOWNSHIP
FENG XIAN DISTRICT, SHANGHAI
P.R.C.
201401
+86 21 3756 6696

ARMSTRONG INTEGRATED
ESTABLISHED 1934

ARMSTRONGINTEGRATED.COM

MAKING
ENERGY
MAKE
SENSE™