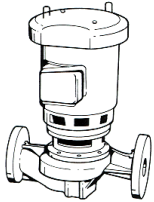


<b>JOB:</b>   <b>UNIT TAG:</b> <b>ENGINEER:</b> <b>CONTRACTOR:</b>	<b>REPRESENTATIVE:</b>   <b>ORDER NO.:</b> <b>SUBMITTED BY:</b> <b>APPROVED BY:</b>	<b>DATE:</b> <b>DATE:</b> <b>DATE:</b>
---	--	--



# 4x4x11

## Series 80<sup>®</sup>

### In-Line Mounted Centrifugal Pumps

**SPECIFICATIONS**

FLOW \_\_\_\_\_ HEAD \_\_\_\_\_

HP \_\_\_\_\_ RPM \_\_\_\_\_

VOLTS \_\_\_\_\_

CYCLE \_\_\_\_\_ PHASE \_\_\_\_\_

ENCLOSURE \_\_\_\_\_

APPROX. WEIGHT \_\_\_\_\_

SPECIALS \_\_\_\_\_

**MATERIALS OF CONSTRUCTION**

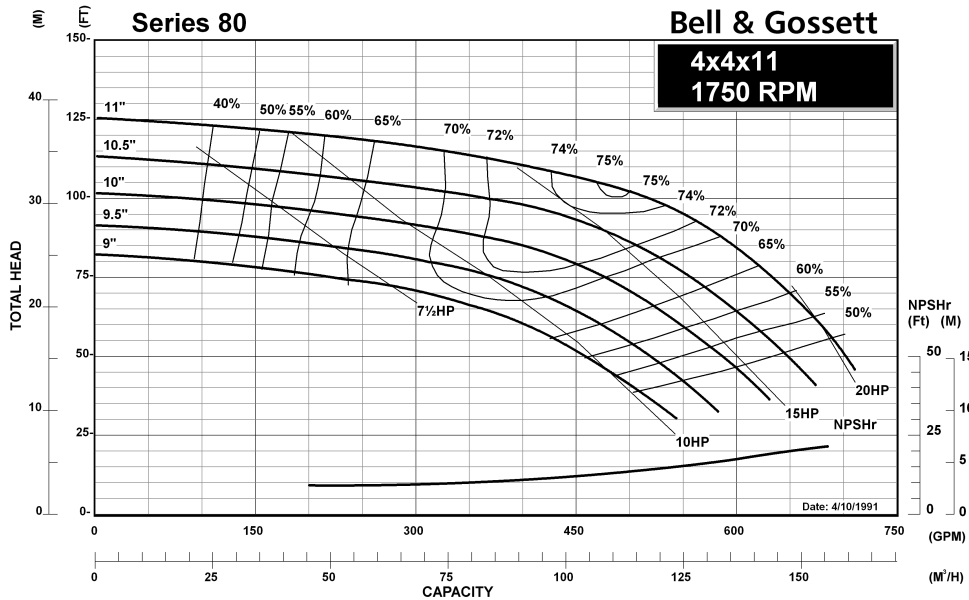
- BRONZE FITTED     ALL IRON

**MAXIMUM WORKING PRESSURE**

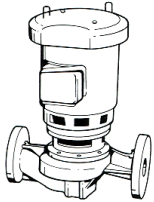
- 175 psi (12 bar) W.P. with 125# ANSI flange drilling
- 250 psi (17 bar) W.P. with 250# ANSI flange drilling (requires 80-S)
- 300 psi (21 bar) W.P. with 250# ANSI flange drilling (EPR-Sintered Silicon Carbide-Sintered Silicon Carbide) Requires 80-S

**TYPE OF SEAL**

- 80 Standard Seal (Buna-Carbon/Ceramic)
- 80 -F Standard Seal w/ Flush Line (Buna-Carbon/Ceramic)
- 80 -S Stuffing Box construction w/ Flushed Mechanical Single Seal (EPR-Tungsten Carbide/Carbon)
- 80 -D Stuffing Box construction w/ Flushed Double Mechanical Seal (EPR-Carbon/Ceramic) Requires external water source
- 80 -PF Stuffing Box Construction w/ Flushed Packing (Graphite Impregnated PTFE)



<b>JOB:</b>   <b>UNIT TAG:</b> <b>ENGINEER:</b> <b>CONTRACTOR:</b>	<b>REPRESENTATIVE:</b>   <b>ORDER NO.:</b> <b>SUBMITTED BY:</b> <b>APPROVED BY:</b>	<b>DATE:</b> <b>DATE:</b> <b>DATE:</b>
---	--	--



# 4x4x11

## Series 80<sup>®</sup>

### In-Line Mounted Centrifugal Pumps

**SPECIFICATIONS**

FLOW \_\_\_\_\_ HEAD \_\_\_\_\_  
 HP \_\_\_\_\_ RPM \_\_\_\_\_  
 VOLTS \_\_\_\_\_  
 CYCLE \_\_\_\_\_ PHASE \_\_\_\_\_  
 ENCLOSURE \_\_\_\_\_  
 APPROX. WEIGHT \_\_\_\_\_  
 SPECIALS \_\_\_\_\_

**MATERIALS OF CONSTRUCTION**

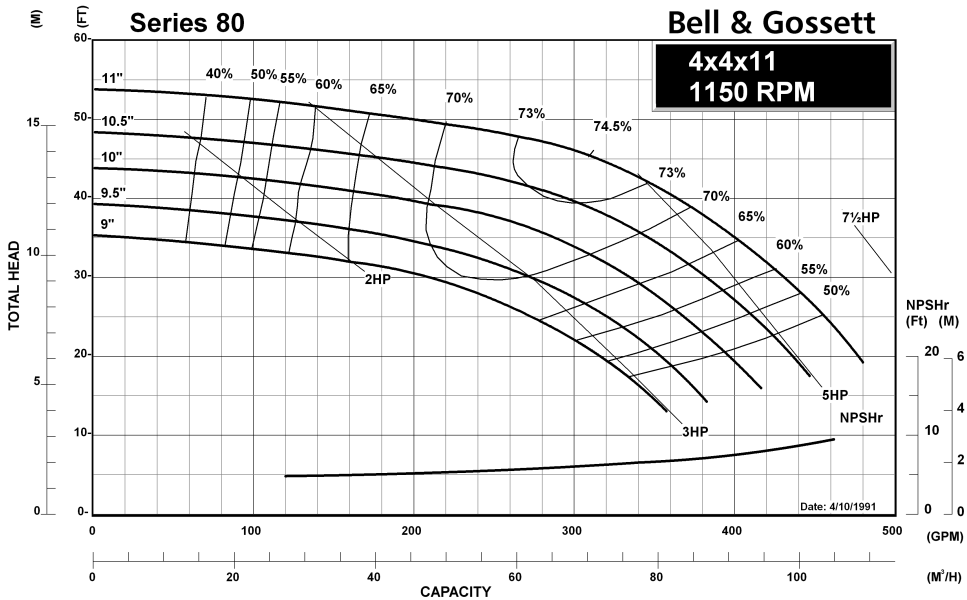
- BRONZE FITTED     ALL IRON

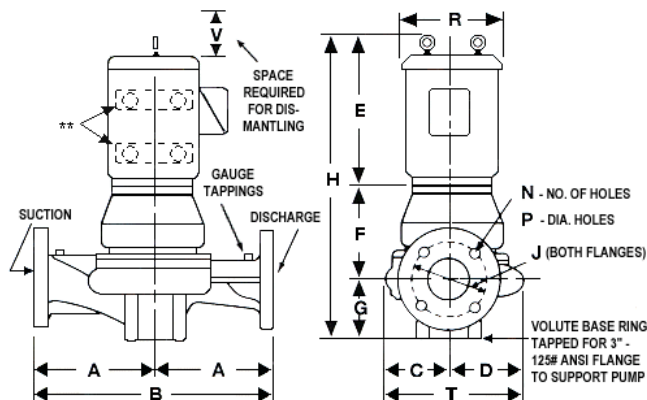
**MAXIMUM WORKING PRESSURE**

- 175 psi (12 bar) W.P. with 125# ANSI flange drilling  
 250 psi (17 bar) W.P. with 250# ANSI flange drilling (requires 80-S)  
 300 psi (21 bar) W.P. with 250# ANSI flange drilling (EPR-Sintered Silicon Carbide-Sintered Silicon Carbide) Requires 80-S

**TYPE OF SEAL**

- 80 Standard Seal (Buna-Carbon/Ceramic)  
 80 -F Standard Seal w/ Flush Line (Buna-Carbon/Ceramic)  
 80 -S Stuffing Box construction w/ Flushed Mechanical Single Seal (EPR-Tungsten Carbide/Carbon)  
 80 -D Stuffing Box construction w/ Flushed Double Mechanical Seal (EPR-Carbon/Ceramic) Requires external water source  
 80 -PF Stuffing Box Construction w/ Flushed Packing (Graphite Impregnated PTFE)





FLANGE DIMENSIONS IN INCHES (MM)			
	SIZE	THICKNESS	O.D.
Discharge	4"	1-1/4 (32)	9-1/2 (241)
Suction	4"	1-1/4 (32)	9-1/2 (241)

FLANGES ARE 125# ANSI - STANDARD  
250# ANSI - AVAILABLE

\*\* Motor may be supplied with feet

DIMENSIONS - Inches (mm)

STANDARD SEAL 80, 80-F

MOTOR FRAME	A	B	C	D	E (Max)	F	G	H (Max)	125# ANSI			250# ANSI			R	S (Max)*	T	V (Min)
									J	N	P	J	N	P				
184	13 (330)	26 (660)	7-9/16 (192)	8-9/16 (217)	15-5/16 (389)	4-3/8 (111)	7-1/2 (190)	27-3/16 (691)	7-1/2 (190)	8	3/4 (19)	7-7/8 (200)	8	7/8 (22)	11-3/4 (298)	1 (25)	16-1/8 (410)	5-1/4 (133)
213	13 (330)	26 (660)	7-9/16 (192)	8-9/16 (217)	19-1/4 (489)	4-3/8 (111)	7-1/2 (190)	32-1/8 (816)	7-1/2 (190)	8	3/4 (19)	7-7/8 (200)	8	7/8 (22)	14 (356)	-	16-1/8 (410)	5-1/4 (133)
215	13 (330)	26 (660)	7-9/16 (192)	8-9/16 (217)	19-1/4 (489)	4-3/8 (111)	7-1/2 (190)	32-1/8 (816)	7-1/2 (190)	8	3/4 (19)	7-7/8 (200)	8	7/8 (22)	14 (356)	-	16-1/8 (410)	5-1/4 (133)
254	13 (330)	26 (660)	7-9/16 (192)	8-9/16 (217)	24-1/8 (613)	7-11/16 (195)	7-1/2 (190)	39-5/16 (999)	7-1/2 (190)	8	3/4 (19)	7-7/8 (200)	8	7/8 (22)	17 (432)	-	16-1/8 (410)	5-1/4 (133)
256	13 (330)	26 (660)	7-9/16 (192)	8-9/16 (217)	24-1/8 (613)	7-11/16 (195)	7-1/2 (190)	39-5/16 (999)	7-1/2 (190)	8	3/4 (19)	7-7/8 (200)	8	7/8 (22)	17 (432)	-	16-1/8 (410)	5-1/4 (133)

STUFFING BOX 80-PF, 80-S, 80-D

MOTOR FRAME	A	B	C	D	E (Max)	F	G	H (Max)	125# ANSI			250# ANSI			R	S (Max)*	T	V (Min)
									J	N	P	J	N	P				
184	13 (330)	26 (660)	7-9/16 (192)	8-9/16 (217)	15-5/16 (389)	7-3/8 (187)	7-1/2 (190)	30-3/16 (767)	7-1/2 (190)	8	3/4 (19)	7-7/8 (200)	8	7/8 (22)	11-3/4 (298)	1 (25)	16-1/8 (410)	5-1/4 (133)
213	13 (330)	26 (660)	7-9/16 (192)	8-9/16 (217)	19-1/4 (489)	7-3/8 (187)	7-1/2 (190)	35-1/8 (892)	7-1/2 (190)	8	3/4 (19)	7-7/8 (200)	8	7/8 (22)	14 (356)	-	16-1/8 (410)	5-1/4 (133)
215	13 (330)	26 (660)	7-9/16 (192)	8-9/16 (217)	19-1/4 (489)	7-3/8 (187)	7-1/2 (190)	35-1/8 (892)	7-1/2 (190)	8	3/4 (19)	7-7/8 (200)	8	7/8 (22)	14 (356)	-	16-1/8 (410)	5-1/4 (133)
254	13 (330)	26 (660)	7-9/16 (192)	8-9/16 (217)	24-1/8 (613)	7-11/16 (195)	7-1/2 (190)	39-5/16 (999)	7-1/2 (190)	8	3/4 (19)	7-7/8 (200)	8	7/8 (22)	17 (432)	-	16-1/8 (410)	5-1/4 (133)
256	13 (330)	26 (660)	7-9/16 (192)	8-9/16 (217)	24-1/8 (613)	7-11/16 (195)	7-1/2 (190)	39-5/16 (999)	7-1/2 (190)	8	3/4 (19)	7-7/8 (200)	8	7/8 (22)	17 (432)	-	16-1/8 (410)	5-1/4 (133)

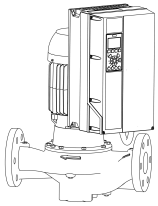
Dimensions are subject to change. Not to be used for construction purposes unless certified.

NOTE: For 1 phase Motors add 1" to dimensions E & H.

\*For TEFC Motors add S dimension to dimensions E& H.

Xylem Inc.  
8200 N. Austin Avenue  
Morton Grove, IL 60053  
Phone: (847)966-3700  
Fax: (847)965-8379  
www.bellgossett.com

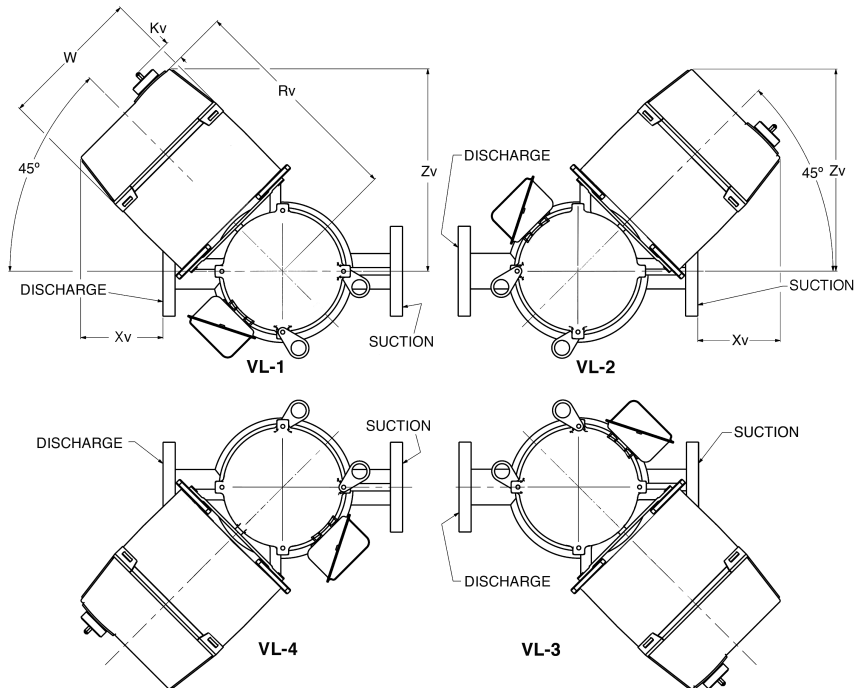
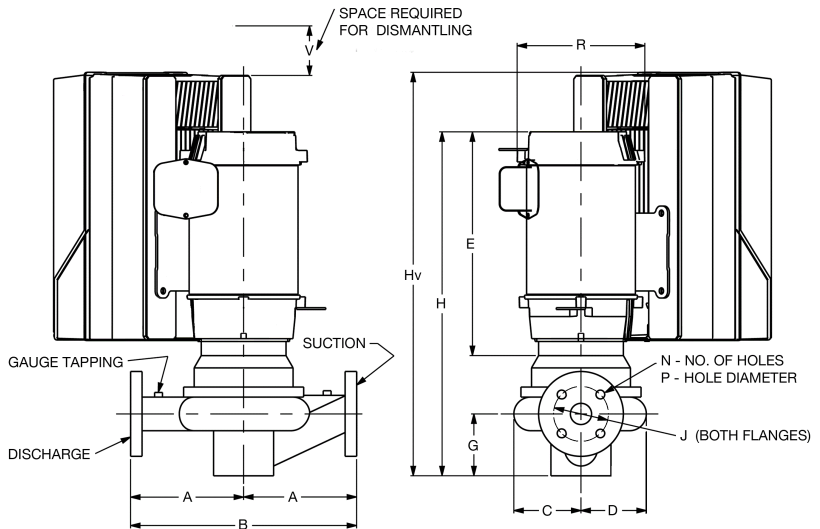




# 4x4x11 Series 80<sup>®</sup>

In-Line Mounted Centrifugal Pumps  
With Optional Integrated Technologic<sup>®</sup> featuring Sensorless Control

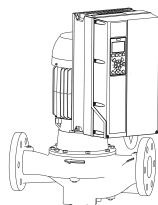
TECHNOLOGIC STANDARD FEATURES	
CONTROL METHOD	Constant Pressure, Linear Control Curve, Quadratic Control Curve Factory configured for sensorless operation standard. Field configurable for use with a wired transducer.
ENCLOSURE	IP55 / NEMA 12 / UL type 12
POWER DISCONNECT SWITCH	Included standard. Fused Disconnect Switch optional.
EMI/RFI CONTROL	Integrated filter to meet EN62800-3.
HARMONIC SUPPRESSION	Integrated non-saturating dual DC link reactors provide better harmonic performance than a 5% AC line reactor.
COOLING	Fan-cooled through temperature controlled and easy replacement.
AMBIENT TEMPERATURE RATING	14°F to 113°F (-10°C to 45°C)
COMMUNICATION PROTOCOLS	BACnet, Modbus RTU, N2 Metasys, FLN Apogee
ANALOG INPUTS	2 configurable for either voltage (0 to 10VDC) or current(0/4 to 20mA)
ANALOG OUTPUTS	1 (0/4 to 20mA) up to 500 ohm load accurate to 1% of full scale
DIGITAL INPUTS	4 (0 to 24VDC), NPN or PNP, 0 to 24VDC, on 5 msec scan interval, Up to 2 can be configured as pulse inputs.
DIGITAL OUTPUTS	2 (0 to 24VDC), 40mA max current, configurable as pulse outputs.
RELAY OUTPUTS	2 programmable, 240VAC or 400VAC up to 2 A



Xylem Inc.  
8200 N. Austin Avenue  
Morton Grove, IL 60053  
Phone: (847)966-3700  
Fax: (847)965-8379  
www.bellgossett.com

**xylem**  
Let's Solve Water

Bell & Gossett is a trademark of Xylem Inc. or one of its subsidiaries.  
© 2013 Xylem Inc.



# 4x4x11 Series 80<sup>®</sup>

In-Line Mounted Centrifugal Pumps  
With Optional Integrated Technologic<sup>®</sup> featuring Sensorless Control

## DIMENSIONS – Inches (mm)

## STANDARD SEAL 80, 80-F

MOTOR FRAME	A	B	E (Max)	G	H (Max)	125# ANSI			250# ANSI			R	VFD	Rv	Zv	W	Hv	Xv
						J	N	P	J	N	P							
184	13 (330)	26 (660)	15-5/16 (389)	7-1/2 (190)	27-3/16 (691)	7-1/2 (190)	8	3/4 (19)	7-7/8 (200)	8	7/8 (22)	11-3/4 (298)	A5	12-25/32 (324)	12-1/32 (306)	9-1/2 (241)	30-11/32 (771)	31/32 (25)
213	13 (330)	26 (660)	19-1/4 (489)	7-1/2 (190)	32-1/8 (816)	7-1/2 (190)	8	3/4 (19)	7-7/8 (200)	8	7/8 (22)	14 (356)	A5	13-17/32 (344)	12-9/16 (319)	9-1/2 (241)	34-45/64 (882)	7/16 (11)
215	13 (330)	26 (660)	19-1/4 (489)	7-1/2 (190)	32-1/8 (816)	7-1/2 (190)	8	3/4 (19)	7-7/8 (200)	8	7/8 (22)	14 (356)	A5	13-17/32 (344)	12-9/16 (319)	9-1/2 (241)	33-15/64 (844)	7/16 (11)
254	13 (330)	26 (660)	24-1/8 (613)	7-1/2 (190)	39-5/16 (999)	7-1/2 (190)	8	3/4 (19)	7-7/8 (200)	8	7/8 (22)	17 (432)	A5	14-17/32 (369)	13-17/64 (337)	9-1/2 (241)	39-5/16 (999)	17/64 (7)
													B1	16-53/64 (427)	14-59/64 (379)	9-1/2 (241)	42-5/16 (1075)	1-59/64 (49)
256	13 (330)	26 (660)	24-1/8 (613)	7-1/2 (190)	39-5/16 (999)	7-1/2 (190)	8	3/4 (19)	7-7/8 (200)	8	7/8 (22)	17 (432)	B1	16-53/64 (427)	14-59/64 (379)	9-1/2 (241)	41-11/16 (1059)	1-59/64 (49)
													B2	16-53/64 (427)	14-59/64 (379)	9-1/2 (241)	46-9/64 (1172)	1-59/64 (49)

## STUFFING BOX 80-PF, 80-S, 80-D

MOTOR FRAME	A	B	E (Max)	G	H (Max)	125# ANSI			250# ANSI			R	VFD	Rv	Zv	W	Hv	Xv
						J	N	P	J	N	P							
184	13 (330)	26 (660)	15-5/16 (389)	7-1/2 (190)	30-3/16 (767)	7-1/2 (190)	8	3/4 (19)	7-7/8 (200)	8	7/8 (22)	11-3/4 (298)	A5	12-25/32 (324)	12-1/32 (306)	9-1/2 (241)	33-11/32 (847)	31/32 (25)
213	13 (330)	26 (660)	19-1/4 (489)	7-1/2 (190)	35-1/8 (892)	7-1/2 (190)	8	3/4 (19)	7-7/8 (200)	8	7/8 (22)	14 (356)	A5	13-17/32 (344)	12-9/16 (319)	9-1/2 (241)	37-45/64 (958)	7/16 (11)
215	13 (330)	26 (660)	19-1/4 (489)	7-1/2 (190)	35-1/8 (892)	7-1/2 (190)	8	3/4 (19)	7-7/8 (200)	8	7/8 (22)	14 (356)	A5	13-17/32 (344)	12-9/16 (319)	9-1/2 (241)	36-15/64 (920)	7/16 (11)
254	13 (330)	26 (660)	24-1/8 (613)	7-1/2 (190)	39-5/16 (999)	7-1/2 (190)	8	3/4 (19)	7-7/8 (200)	8	7/8 (22)	17 (432)	A5	14-17/32 (369)	13-17/64 (337)	9-1/2 (241)	39-5/16 (999)	17/64 (7)
													B1	16-53/64 (427)	14-59/64 (379)	9-1/2 (241)	42-5/16 (1075)	1-59/64 (49)
256	13 (330)	26 (660)	24-1/8 (613)	7-1/2 (190)	39-5/16 (999)	7-1/2 (190)	8	3/4 (19)	7-7/8 (200)	8	7/8 (22)	17 (432)	B1	16-53/64 (427)	14-59/64 (379)	9-1/2 (241)	41-11/16 (1059)	1-59/64 (49)
													B2	16-53/64 (427)	14-59/64 (379)	9-1/2 (241)	46-9/64 (1172)	1-59/64 (49)

Xylem Inc.  
8200 N. Austin Avenue  
Morton Grove, IL 60053  
Phone: (847)966-3700  
Fax: (847)965-8379  
www.bellgossett.com

**xylem**  
Let's Solve Water

Bell & Gossett is a trademark of Xylem Inc. or one of its subsidiaries.  
© 2013 Xylem Inc.