

NOTES:

1. ALL DIMENSIONS ARE FOR REFERENCE ONLY.

STANDARD MODELS: HL4924A

STATE	Released	08/08/2016
DRAWN	cmihm	1/27/2016
CHECKED	CJN	08/08/2016

DIMENSIONS ARE IN INCHES	
PROJECT:	E176
WAS:	EX-E176-40



VIKING PUMP, INC.
A Unit of IDEX Corporation
Cedar Falls, IA 50613
U.S.A.

THIS DRAWING IS THE PROPERTY OF VIKING PUMP, INC. AND IS PROPRIETARY IN GENERAL AND DETAIL. IT SHALL NOT BE COPIED OR ITS CONTENTS REVEALED TO OUTSIDE PARTIES WITHOUT THE WRITTEN CONSENT OF VIKING PUMP, INC.

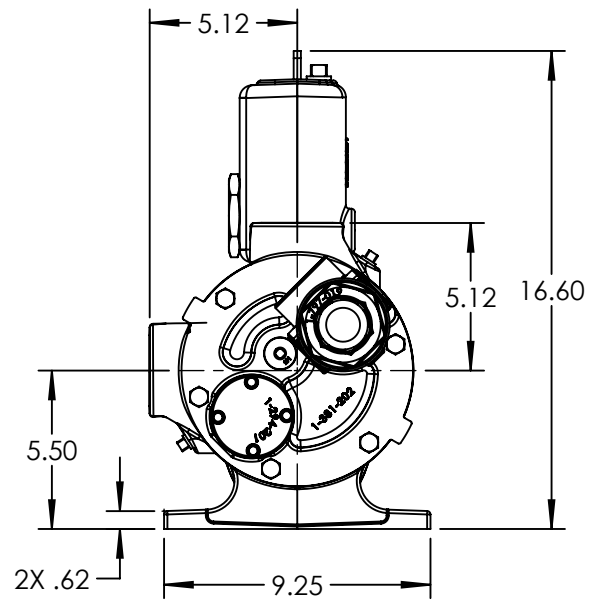
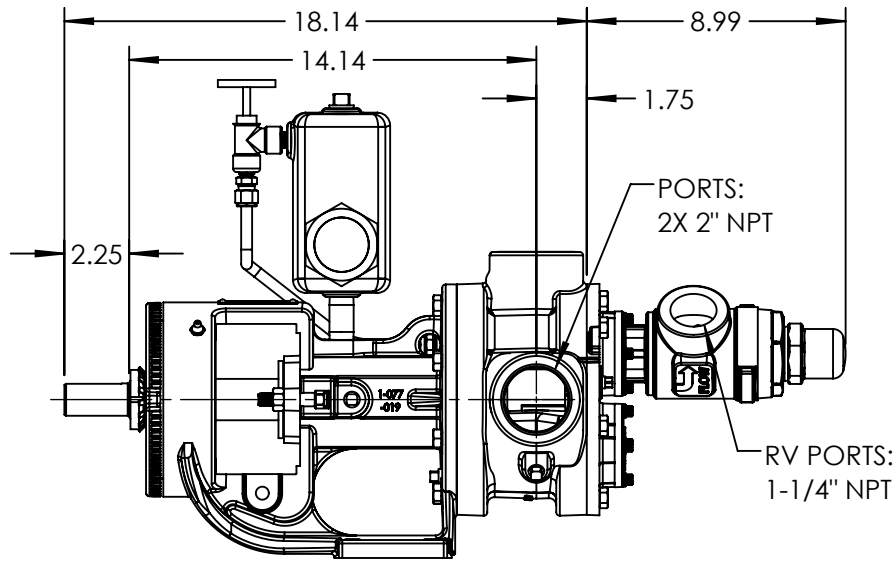
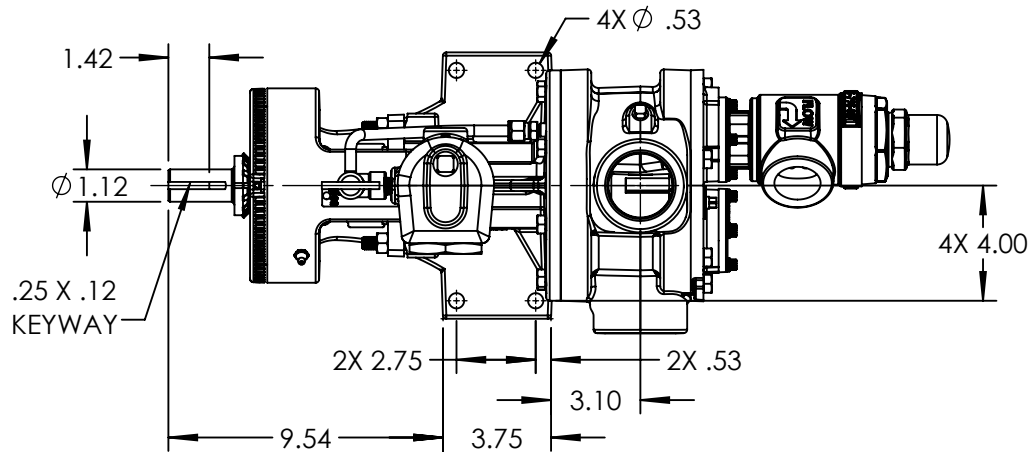
3D

DWG. NO.
HV-4000

SHEET 1 OF 1

REV. A.0

08/08/2016



NOTES:

1. ALL DIMENSIONS ARE FOR REFERENCE ONLY.

STANDARD MODELS: K4924A, KK4924A

STATE	Released	08/08/2016	DIMENSIONS ARE IN INCHES
DRAWN	cmihm	1/28/2016	
CHECKED	CJN	08/08/2016	



VIKING PUMP, INC.
A Unit of IDEX Corporation
Cedar Falls, IA 50613
U.S.A.

THIS DRAWING IS THE PROPERTY OF
VIKING PUMP, INC. AND IS PROPRIETARY
IN GENERAL AND DETAIL. IT SHALL NOT BE
COPIED OR ITS CONTENTS REVEALED TO
OUTSIDE PARTIES WITHOUT THE WRITTEN
CONSENT OF VIKING PUMP, INC.

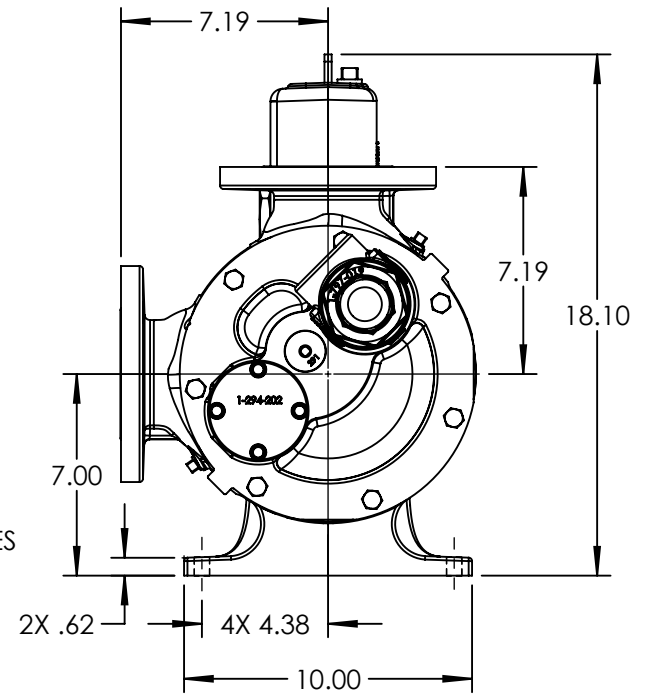
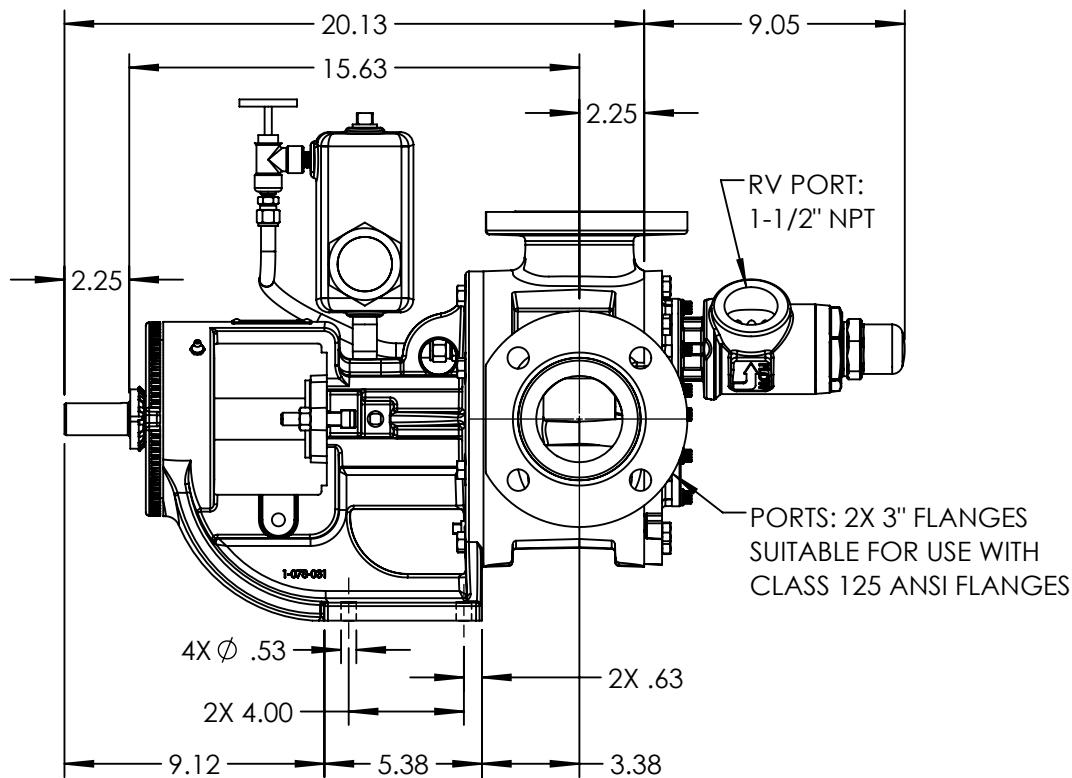
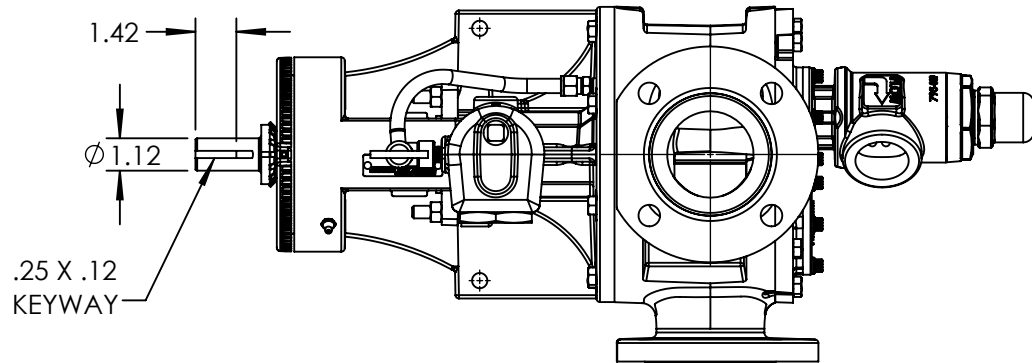
3D

DWG. NO.
KV-2505

SHEET 1 OF 1

REV. A.0

08/08/2016



NOTES:

1. ALL DIMENSIONS ARE FOR REFERENCE ONLY.

STANDARD MODELS: LL4924A

STATE	Released	08/09/2016
DRAWN	cmihm	1/28/2016
CHECKED	CJN	08/09/2016

DIMENSIONS ARE IN INCHES	
PROJECT:	E176
WAS:	EX-176-62



VIKING PUMP, INC.
A Unit of IDEX Corporation
Cedar Falls, IA 50613
U.S.A.

THIS DRAWING IS THE PROPERTY OF VIKING PUMP, INC. AND IS PROPRIETARY IN GENERAL AND DETAIL. IT SHALL NOT BE COPIED OR ITS CONTENTS REVEALED TO OUTSIDE PARTIES WITHOUT THE WRITTEN CONSENT OF VIKING PUMP, INC.

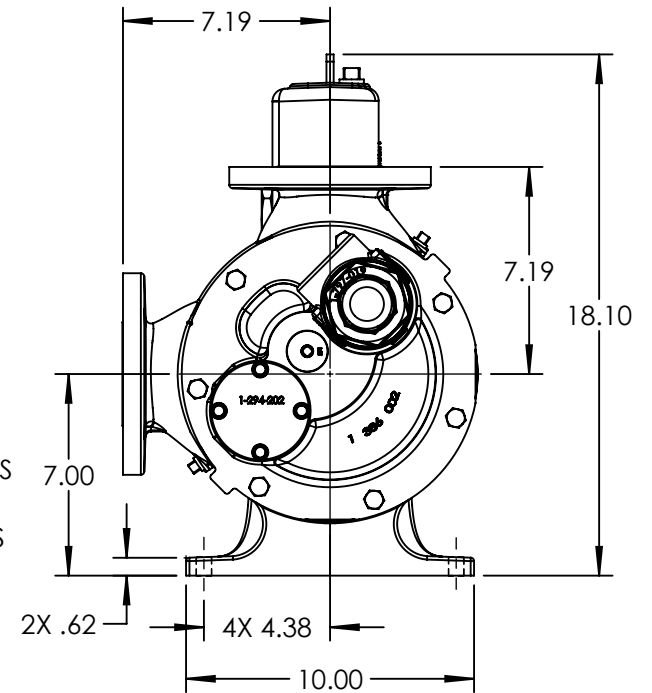
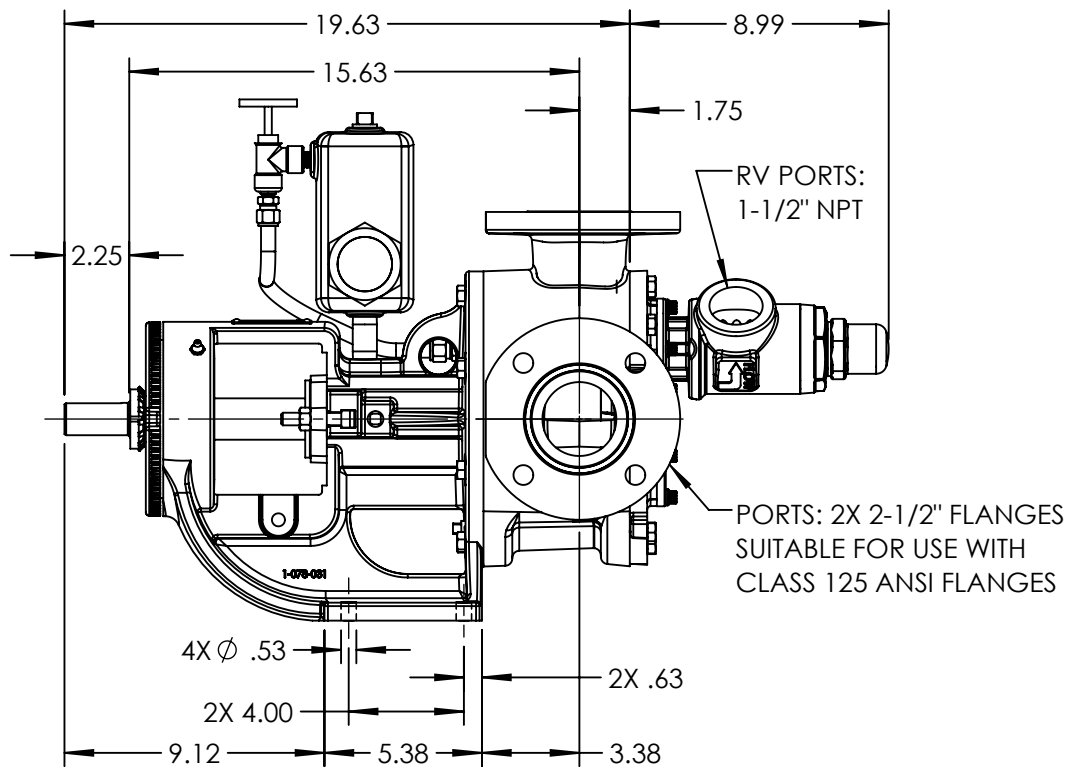
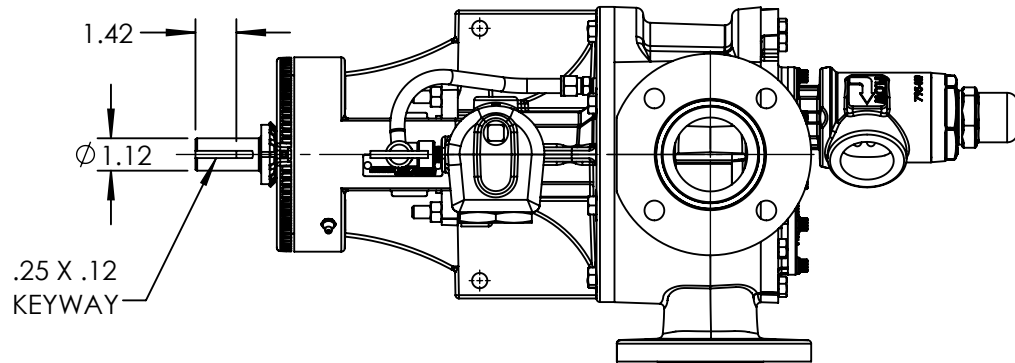
3D

DWG. NO.
LV-4305

SHEET 1 OF 1

REV. A.0

08/09/2016



NOTES:

1. ALL DIMENSIONS ARE FOR REFERENCE ONLY.

STANDARD MODELS: LQ4924A

STATE	Released	08/09/2016	DIMENSIONS ARE IN INCHES	VIKING PUMP	VIKING PUMP, INC. A Unit of IDEX Corporation Cedar Falls, IA 50613 U.S.A.	THIS DRAWING IS THE PROPERTY OF VIKING PUMP, INC. AND IS PROPRIETARY IN GENERAL AND DETAIL. IT SHALL NOT BE COPIED OR ITS CONTENTS REVEALED TO OUTSIDE PARTIES WITHOUT THE WRITTEN CONSENT OF VIKING PUMP, INC.	3D	DWG. NO. LV-4304	SHEET 1 OF 1	REV. A.0
DRAWN	cmihm	1/28/2016								PROJECT: E176
CHECKED	CJN	08/09/2016	WAS: EX-176-61							