

PARTS LIST

SERIES 4360

VERTICAL
MOTOR MOUNTED PUMP

"B" SIZE

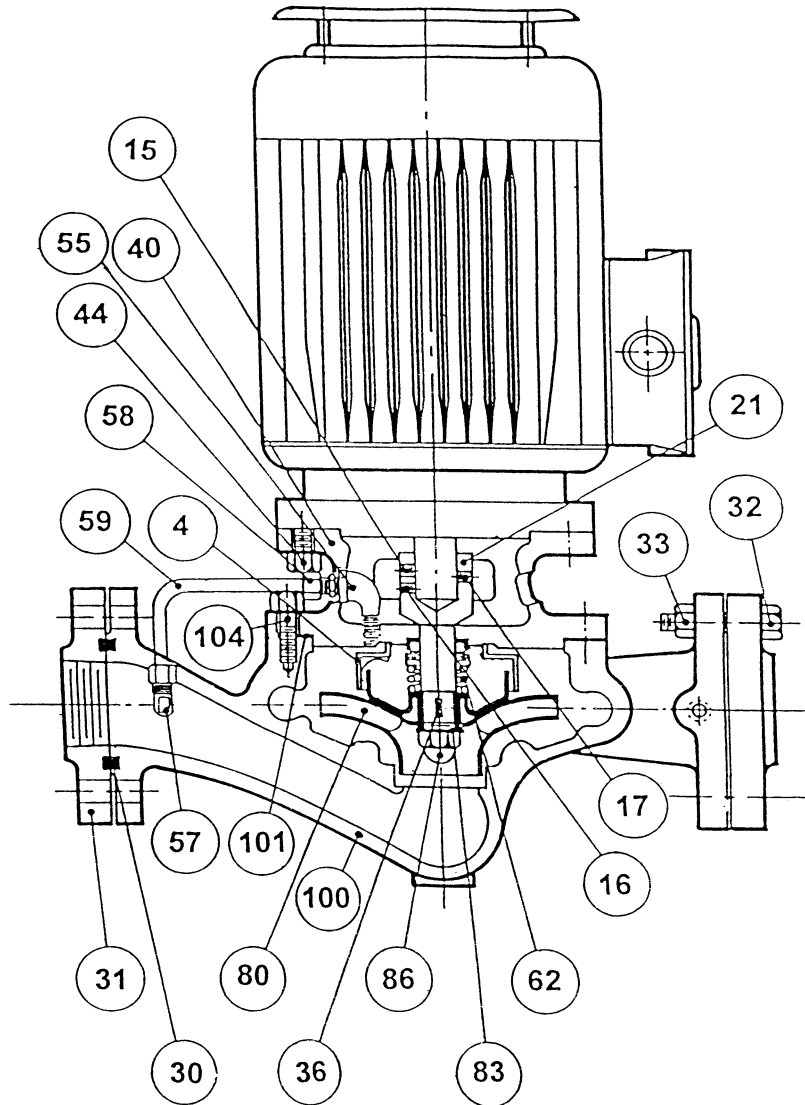
SERIES 4360 - POWER FRAMES - ALL SPEEDS

MOTOR SPEED	1800 RPM	MOTOR HORSEPOWER																	
		1/4	1/3	1/2	3/4	1					1	1 1/2	2	3					
		3600						1 1/2	2	3	5					3	5	7 1/2	10
PUMP SIZE	FRAME SIZE	56C	56C	56C	56C	56C	56C	56C	56C	56C	143JM	145JM	145JM	182JM	145JM	182JM	184JM	213JM	215JM
1 1/4 B	-	B	B	B			B	B	B										
1 1/2 B	-	B	B	B	B		B	B	B	B									
2 B	-		B	B	B	B		B	B	B									
1 1/2 D	-			D	D						D	D			D	D	D	D	
2 D	-		D	D	D						D	D	D		D	D	D	D	D
3 D	-				D						D	D	D	D		D	D	D	D

"B" DESIGNATION - 3/8" IMPELLER BORE, 1/2" MECHANICAL SEAL

"D" DESIGNATION - 7/8" IMPELLER BORE, 1 1/4" MECHANICAL SEAL

TYPICAL SECTION VIEW MODEL 4360 "B" SIZE



ITEM NO.	DESCRIPTION	PAGE NO.	ITEM NO.	DESCRIPTION	PAGE NO.	ITEM NO.	DESCRIPTION	PAGE NO.
4	BALANCE RING	5	33	FLANGE CAPS. NUT	9	62	MECH. SEAL ASSY.	4
15	SET SCREW	6	36	IMPELLER KEY	6	80	IMPELLER	3
16	SET SCREW	6	40	STUFF. BOX/ADAPTER	4	83	IMP. LOCKWASHER	5
17	SET SCREW	6	44	MOTOR CAPSCREW	6	86	IMPELLER NUT	5
21	SHAFT EXTENSION	6	55	STREET ELBOW	7	100	CASING	4
30	FLANGE GASKET	8	57	MALE ELBOW	7	101	CASING GASKET	6
31	FLANGE	8	58	CONNECTOR	7	104	CASING CAPSCREW	6
32	FLANGE CAPSCREW	9	59	FLUSHLINE TUBING	7			

MODEL 4360

VERTICAL MOTOR MOUNTED

"B" SIZE, 1/2" MECHANICAL SEAL

ITEM 100 CASING			
PUMP SIZE	MATERIAL	PART NUMBER	BAR CODE
1 1/4 B	CAST IRON	116337-011	
1 1/4 B	BRONZE	116337-041	
1 1/2B	CAST IRON	116337-011	
1 1/2B	BRONZE	116337-041	
2B	CAST IRON	116338-011	
2B	BRONZE	116338-041	

ITEM 80 IMPELLER**			
PUMP SIZE	MATERIAL	PART NUMBER	BAR CODE
1 1/4 B	STEEL	816302-017	
1 1/4 B	BRONZE	816302-047	
1 1/2B	STEEL	816303-017	
1 1/2B	BRONZE	816303-047	
2 B	STEEL	816304-017	
2 B	BRONZE	816304-047	

** Impeller Part Numbers are for full or maximum diameter Impellers. Always specify Pump Serial Number and where possible, measure and advise the diameter of the Impeller being replaced on these Pumps.

MODEL 4360

VERTICAL MOTOR MOUNTED

"B" SIZE, 1/2" MECHANICAL SEAL

ITEM 40 STUFFING BOX/ADAPTER			
PUMP SIZE	CONST.	PART NUMBER	NOTES
1 1/4B TO 2B	B. F.	428320-011	
1 1/4B TO 2B	A. I.	428320-071	
1 1/4B TO 2B	A. B.	428320-041	

ITEM 62 MECHANICAL SEAL ASSEMBLY			
PUMP SIZE	CONST.	PART NUMBER	NOTES
1 1/4B TO 2B	ALL	816706-021	1/2" BUNA STANDARD SEAL
1 1/4B TO 2B	ALL	816706-023	1/2" VITON SEAL

MODEL 4360

VERTICAL MOTOR MOUNTED

"B" SIZE, 1/2" MECHANICAL SEAL

ITEM 83 IMPELLER LOCKWASHER

PUMP SIZE	CONST.	PART NUMBER	BAR CODE
1 1/4B TO 2B	B. F.	927411-700	
1 1/4B TO 2B	A. I.	927411-100	
1 1/4B TO 2B	A. B.	927411-700	

ITEM 86 IMPELLER NUT

PUMP SIZE	CONST.	PART NUMBER	BAR CODE
1 1/4B TO 2B	B. F.	106076-000	
1 1/4B TO 2B	A. I.	913171-100	
1 1/4B TO 2B	A. B.	106076-000	

ITEM 4 BALANCE RING

PUMP SIZE	CONST.	PART NUMBER	BAR CODE
1 1/4B TO 2B	B. F.	106091-012	
1 1/4B TO 2B	A. I.	106091-000	
1 1/4B TO 2B	A. B.	NOT REQUIRED	

MODEL 4360

VERTICAL MOTOR MOUNTED

"B" SIZE, 1/2" MECHANICAL SEAL

COMMON PARTS			
ITEM NO.	DESCRIPTION	PART NUMBER	BAR CODE
15*	SET SCREW (1 REQ'D)	916517-005	
16*	SET SCREW (1 REQ'D)	916519-104	
17*	SET SCREW (2 REQ'D)	916517-205	
21	SHAFT EXTENSION	814910-001	
36	IMPELLER KEY	974507-100	
44	MOTOR CAPSCREW (4 REQ'D 3/8-16X3/4" LG.)	911121-106	
101	CASING GASKET	106158-000	
104	CASING CAPSCREW (8 REQ'D 5/16-18X3/4" LG.)	911119-106	

* NOTES: Set Screws, Items #15,16 & 17 are included in Shaft Extension Item # 21

MODEL 4360

VERTICAL MOTOR MOUNTED

"B" SIZE, 1/2" MECHANICAL SEAL

ITEM 55 STREET ELBOW (FLUSHLINE)

PUMP SIZE	CONST.	PART NUMBER	BAR CODE
1 1/4B TO 2B	B. F. - A.I.	931110-000	
1 1/4B TO 2B	A. B.	939024-102	

ITEM 57 MALE ELBOW (FLUSHLINE)

PUMP SIZE	CONST.	PART NUMBER	BAR CODE
1 1/4B TO 2B	A.B. - B.F.	939003-105	
1 1/4B TO 2B	A. I.	939003-205	

ITEM 58 CONNECTOR (FLUSHLINE)

PUMP SIZE	CONST.	PART NUMBER	BAR CODE
1 1/4B TO 2B	A.B. - B.F.	939001-105	
1 1/4B TO 2B	A. I.	939001-205	

ITEM 59 FLUSHLINE TUBING

PUMP SIZE	CONST.	LENGTH	PART NUMBER	BAR CODE
1 1/4B TO 2B	B. F. - A.I.	12"	997529-003	
1 1/4B TO 2B	A. B.	12"	997529-004	

MODEL 4360

VERTICAL MOTOR MOUNTED

"B" SIZE, 1/2" MECHANICAL SEAL

ITEM 30 FLANGE GASKET					
PUMP MODEL	CONST.	PIPE SIZE	NO. REQ'D	PART NUMBER	BAR CODE
1 1/4B	ALL	1 1/4" NPT	2	105176-001	
1 1/2B	ALL	1 1/2" NPT	2	105176-001	
2B	ALL	2" NPT	2	116117-000	

ITEM 31 FLANGE				
PUMP MODEL	CONST.	PIPE SIZE	PART NUMBER	BAR CODE
1 1/4B	B.F - A.I.	1 1/4" NPT	116011-011	
1 1/4B	A.B.	1 1/4" NPT	116011-041	
1 1/2B	B.F - A.I.	1 1/2" NPT	116009-011	
1 1/2B	A.B.	1 1/2" NPT	116009-041	
2B	B.F - A.I.	2" NPT	106074-011	
2B	A.B.	2" NPT	106074-041	

MODEL 4360

VERTICAL MOTOR MOUNTED

"B" SIZE, 1/2" MECHANICAL SEAL

ITEM 32 FLANGE CAPSCREW

PUMP MODEL	NO. REQ'D	SIZE	PART NUMBER	BAR CODE
1 1/4B	2	7/16-14 X1 3/4" STL.	911123-114	
1 1/2B	2	7/16-14 X1 3/4" STL.	911123-114	
2B	2	1/2-13 X 2 1/4" STL.	911125-118	

ITEM 33 FLANGE CAPSCREW NUT

PUMP MODEL	NO. REQ'D	SIZE	PART NUMBER	BAR CODE
1 1/4B	2	7/16-14 HEX STL.	913123-100	
1 1/2B	2	7/16-14 HEX STL.	913123-100	
2B	2	1/2-13 HEX STL.	913125-100	