

# Series 4300 Vertical in-line

Equal suction & discharge 'L' designation

---

## Parts list

TC/TSC/TCZ motors only,  
groups 21 to 24

1<sup>5</sup>/<sub>8</sub>" impeller bore  
2<sup>1</sup>/<sub>8</sub>" mechanical seal or  
packing gland

File No: 6043.136  
Date: NOVEMBER 09, 2015  
Supersedes: 6043.136  
Date: MARCH 15, 2005

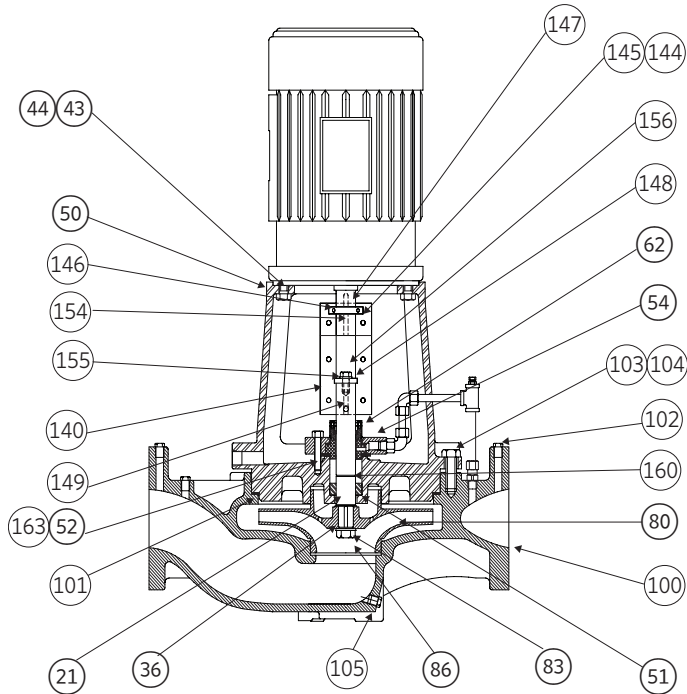
**MODEL 4300 - VERTICAL PUMP - SPLIT COUPLING TC MOTORS - SINGLE SUCTION**  
 GROUPS 21 TO 24 SELECTION CHART (L) 1½" IMPELLER HUB

PUMP SIZE	GROUP NUMBER	MOTOR FRAME									
		143 145	182 184	FT215 213 215	254 256	284 286	324 326	FF300/FF350 364 365	404 405	444 445	447 449
10×10×13	22	—	—	—	—	—	—	TC	—	—	—
	23	—	—	—	—	—	—	—	TC	—	—
	24	—	—	—	—	—	—	—	—	TC	TC
8×8×15	21	—	—	—	—	—	TC	—	—	—	—
	22	—	—	—	—	—	—	TC	—	—	—
	23	—	—	—	—	—	—	—	TC	—	—
	24	—	—	—	—	—	—	—	—	TC	TC
10×10×15	21	—	—	—	—	—	TC	—	—	—	—
	22	—	—	—	—	—	—	TC	—	—	—
	23	—	—	—	—	—	—	—	TC	—	—
	24	—	—	—	—	—	—	—	—	TC	TC

4300 GROUP NUMBER		21	22	23	24
SEAL SIZE AND PUMP SHAFT DIAMETER		2½	2½	2½	2½
IMPELLER BORE		1½	1½	1½	1½
COUPLING BORE	MOTOR SHAFT DIAMETER	2½	2¾	2⅞	3⅞
	PUMP SHAFT DIAMETER	2½	2½	2½	1½
SHAFT GAP BETWEEN PUMP AND MOTOR		1¾	1¾	2½	1¾

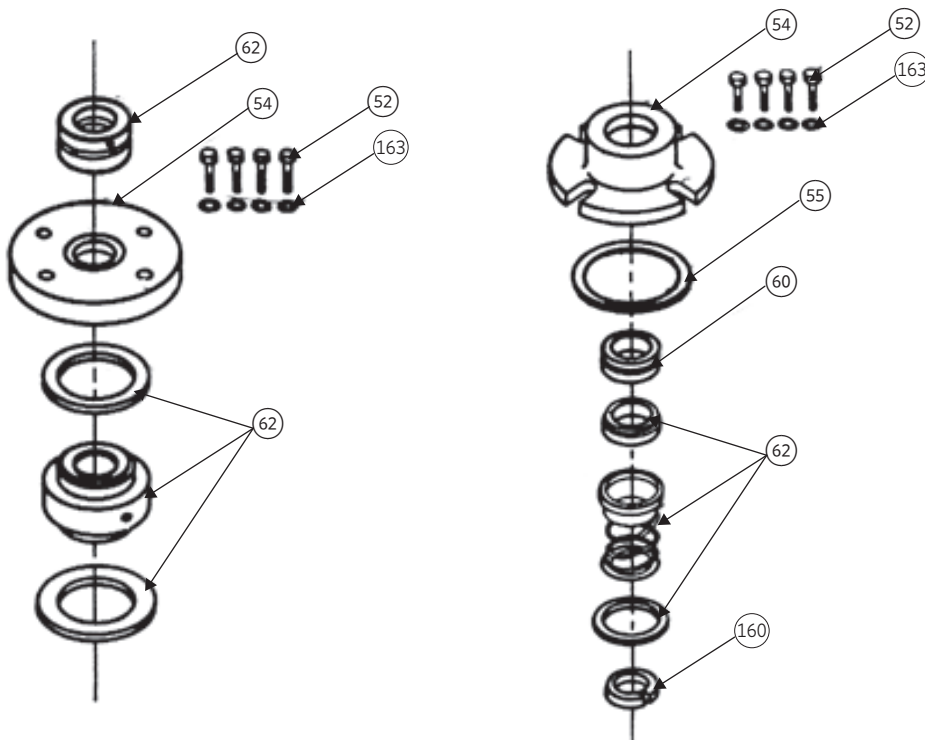
**Cross section view**

Groups 5,6,7,8,9 & 10



**MECHANICAL SEAL**

Exploded view



**OUTSIDE MECHANICAL SEAL**

**INSIDE MECHANICAL SEAL**

**INDEX**

ITEM	DESCRIPTION	PAGE
21	Shaft	11
36	Impeller key	11
43	Lockwasher	9
44	Motor capscrew	9
50	Stuffing box/adapter	7&8
51	Seal chamber bushing	11
52	Seal cover capscrew	11
54	Seal cover	11
55	Inside seal cover gasket	12
57	Male straight connector	13
59	Tubing	13
60	Inside seal seat	12
62	Outside mechanical seal Armstrong STD.	11
62	Outside mechanical seal John crane STD.	11
62	Outside mechanical seal John crane T.C.	11
62	Outside mechanical seal Durametallc STD.	11
62	Outside mechanical seal Durametallc T.C.	11
62	Inside mechanical seal head B.F. & A.I. construction	12
63	¼" NPT tee	13
68	Air vent	13
80	Impeller	5
83	Impeller washer	11
86	Impeller Acorn nut	11

ITEM	DESCRIPTION	PAGE
90	Case wear ring	6
100	Casing	5
101	Casing gasket	6
103	Casing capscrew washer	9
104	Casing capscrew	9
105	Casing drain plug	5
140	Coupler	10
144	Coupler capscrew	11
145	Lockwasher	11
146	Coupler collar set screw	11
147	Motor shaft coupler collar	10
148	Pump shaft coupler collar	11
149	Coupler square key (pump)	11
150	Coupling guard (not shown)	6
151	Coupler guard bolt (not shown)	6
152	Nut (not shown)	6
153	Washer (not shown)	6
154	Coup. Square key (motor)	9
155	Capscrew lockwasher	11
156	Shaft capscrew	11
160	Inside seal retaining ring	12
163	Seal cover caps. washer	12
194	Male 90° angle connection	

**ITEM 100 CASING\*\***

PUMP SIZE	PRESSURE RATING (LB)	CONSTRUCTION	PART NUMBER
10×10×13	125#	Cast iron	427330-011
	250#	Ductile iron	427331-031
8×8×15	125#	Cast iron	427087-011
	250#	Ductile iron	427088-031
10×10×15	125#	Cast iron	427083-011
	250#	Ductile iron	427084-031

**NOTES:**

\*\* Casing part numbers are for casing only, casing wear ring is sold separately.  
 If new casing is required, it must be ordered c/w wear ring.

**ITEM 105 CASING DRAIN PLUG**

PUMP SIZE	MATERIAL	NUMBER REQUIRED	SIZE	PART NUMBER
10×10×13	CAD. PLATED	1	½" NPT	937105-203
8×8×15				
10×10×15				

**ITEM 80 IMPELLER\*\* 1¼" BORE**

PUMP SIZE	MATERIAL	IMPELLER BORE	MAXIMUM DIAMETER	PART NUMBER
10×10×13	Bronze	1⅝"	13"	427333-041
	Cast iron	1⅝"	13"	427333-011
8×8×15	Bronze	1⅝"	15"	427214-041
	Cast iron	1⅝"	15"	427214-011
10×10×15	Bronze	1⅝"	15"	427218-041
	Cast iron	1⅝"	15"	427218-011

**NOTES:**

\*\* Impeller part numbers are for full or maximum diameter Impellers. Always specify pump serial number and where possible, measure and advise the diameter of the Impeller being replaced on these pumps.

6

**ITEM 90 CASE WEAR RING**

PUMP SIZE	MATERIAL	CONSTRUCTION	PART NUMBER
10×10×13	SAE 660 BRONZE	All bronze, Bronze fitted	426413-417
10×10×15	CLASS 30 C.I.	All iron, Ductile iron	426413-117
8×8×15	SAE 660 BRONZE	All bronze, Bronze fitted	426413-415
	CLASS 30 C.I.	All iron, Ductile iron	426413-115

**ITEM 101 CASING GASKET**

PUMP SIZE	CONSTRUCTION	PART NUMBER
10×10×13	ALL	426401-005
8×8×15	ALL	426401-008
10×10×15	ALL	426401-008

**ITEM 150 COUPLER GUARD**

PUMP SIZE	MOTOR FRAME SIZE	PART NUMBER
10×10×13	324 - 326TC	427858-000
8×8×15		
10×10×15	364 - 365TC	
10×10×13	404 - 405TC	427860-000
8×8×15		
10×10×15	444/445/447/449TC	

**COUPLER GUARD FASTENERS**

ITEM NUMBER	DESCRIPTION	NUMBER REQUIRED	SIZE	PART NUMBER
151	Bolt - RD. HD.	2	#8-32×1 $\frac{1}{2}$ "	916262-132
152	Nut	2	#8-32	913162-100
153	Washer	2	#8-32	927105-100

**ITEM 50 ADAPTER**

Bronze fitted and All iron construction

PUMP SIZE	MOTOR FRAME SIZE	MATERIAL	PART NUMBER
10×10×13	363 – 366TSC	Cast iron	
	364 – 365TC		427843-011
	404 – 405TC		427845-011
	403 – 406TSC		
	444/445/447/449TC		427846-011
8×8×15	324 – 326TC	Cast iron	427842-011
	364 – 365TC		427842-011
10×10×15	404 – 405TC		427847-011
	444/445/447/449TC		427846-011

**ITEM 50 PUMPS STUFFING BOX**

Bronze fitted and All iron construction

PUMP SIZE	MOTOR FRAME SIZE	MATERIAL	PART NUMBER
10×10×13	ALL	Cast iron	427885-011
8×8×15	ALL	Cast iron	427886-011
10×10×15	ALL	Cast iron	427886-011

**ITEM 150**

13 & 15" motor adapter ring all constructions

PUMP SIZE	MOTOR FRAME SIZE	MATERIAL	PART NUMBER
All	364 – 365TC	Steel	427730-000

8

**ITEM 50 ADAPTER**

Ductile iron construction

PUMP SIZE	MOTOR FRAME SIZE	MATERIAL	PART NUMBER
10×10×13	363 – 366TSC	Cast iron	
	364 – 365TC		427843-011
	404 – 405TC		427845-011
	403 – 406TSC		
	444/445/447/449TC		427846-011
8×8×15	324 – 326TC	Cast iron	427842-011
	364 – 365TC		427842-011
10×10×15	404 – 405TC		427847-011
	444/445/447/449TC		427846-011

**ITEM 50 PUMPS STUFFING BOX**

Ductile iron construction

PUMP SIZE	MOTOR FRAME SIZE	MATERIAL	PART NUMBER
10×10×13	ALL	Ductile iron	427885-031
8×8×15	ALL	Ductile iron	427886-031
10×10×15	ALL	Ductile iron	427886-031

**ITEM 150**

13 & 15" motor adapter ring all constructions

PUMP SIZE	MOTOR FRAME SIZE	MATERIAL	PART NUMBER
All	364 – 365TC	Steel	427730-000



**ITEM 44 MOTOR CAPSCREW & ITEM 43 LOCKWASHER**

PUMP SIZE	MOTOR FRAME SIZE	ITEM DESCRIPTION	PART NUMBER
10×10×13	324-326TC	Capscrew	911129-112
8×8×15	404-405TC	Lockwasher	927215-100
10×10×15	444/445/447/449TC		

**ITEM 104 CASING CAPSCREW & ITEM 103 WASHER**

PUMP SIZE	NUMBER REQUIRED	DESCRIPTION	SIZE	PART NUMBER
10×10×13	16	Capscrew	5/8"-11NCX1¾"	911129-234
	16	Washer	5/8" FLAT	927121-100
8×8×15	16	Capscrew	5/8"-11NCX2"	911129-218
	16	Lockwasher	5/8"	927213-100
10×10×15	16	Washer	5/8" FLAT	927121-100

**ITEM 154 MOTOR KEY**

PUMP SIZE	MOTOR FRAME SIZE	PART NUMBER
8×8×15 10×10×15	324 - 326TC	428164-116
10×10×13 8×8×15 10×10×15	364 - 365TC	428165-117
10×10×13 8×8×15 10×10×15	404 - 405TC	428167-103
10×10×13 8×8×15 10×10×15	444/445/447/449TC	428167-305

10

**ITEM 147 MOTOR COUPLER COLLAR**

PUMP SIZE	MOTOR FRAME SIZE	PART NUMBER
8×8×15 10×10×15	324 - 326TC	427753-000
10×10×13 8×8×15 10×10×15	364 - 365TC	427754-000
10×10×13 8×8×15 10×10×15	404 - 405TC	427889-000
10×10×13 8×8×15 10×10×15	444/445/447/449TC	427883-000

**ITEM 140 COUPLER**

PUMP SIZE	MOTOR FRAME SIZE	PART NUMBER
8×8×15 10×10×15	324 - 326TC	427867-000
10×10×13 8×8×15 10×10×15	364 - 365TC	427868-000
10×10×13 8×8×15 10×10×15	404 - 405TC	427869-000
10×10×13 8×8×15 10×10×15	444/445/447/449TC	427870-000

**COMMON PARTS**

All constructions

ITEM NUMBER	DESCRIPTION	PART NUMBER
21	2½" Pump shaft	427849-000
36	Impeller key	428163-714
51	Seal chamber bushing	425520-003
83	Impeller washer	425742-006
86	Impeller acorn nut (brass)	425745-001
86	Impeller acorn nut (SST)	425745-002
102	Gauge plug ( 4 required ) ¼" NPT. CAD plated	937105-201
144	Coupler capscrew (6 required) Frames 182 to 365TC and 324-446TSC	911821-118
145	Lockwasher (for item 144)	927211-100
148	Shaft coupler collar	427882-000
146	Coupler collar set screw	916519-106
149	Cplr. key (pump shaft)	428164-724
155	Capscrew lockwasher	927215-400
156	Coupler collar capscrew	911129-108

**PARTS FOR 2½" OUTSIDE SEAL**

ITEM NUMBER	DESCRIPTION	CONSTRUCTION	PART NUMBER
62	Mechanical seal		
	Armstrong seal	All	975002-374
	Durametallic STD.	All	975002-073
	Durametallic T.C.	All	975002-071
	John crane STD.	All	975000-957
	John crane T.C.	All	975000-967
52	Capscrew - 4 req'd ½"-13NCx2" S/S	All	911125-416
163	Washer - 4 req'd ½" FLAT 316 S/S	All	427118-100
54	Seal cover	Bronze fitted, Ductile bronze fitted	426486-002
		All iron, Ductile iron	426486-001

**PARTS FOR 2½" INSIDE MECHANICAL SEAL ARRANGEMENT**

ITEM NUMBER	DESCRIPTION	CONSTRUCTION	PART NUMBER
62	Mechanical seal	All	975001-577
60	Seal seat	All	975000-931
52	Capscrew - 4 required ½"-13NCx2" S/S	All	911125-416
163	Washer- 4 required ½" FLAT	All	427117-100
54	Seal cover	Bronze fitted, Ductile bronze fitted	426466-011
55	Seal cover gasket	All	426467-002
160	Retaining ring	All	927117-100

**PARTS FOR 2½" PACKED GLAND ARRANGEMENT**

ITEM NUMBER	DESCRIPTION	CONSTRUCTION	PART NUMBER
52	Studbolt - 2 required ½"-13NCx3" S/S	All	915225-424
53	Nut - 2 req'd ½"-13NC S/S	All	913125-400
163	Washer - 2 required ½" FLAT	All	426451-001
54	Split gland	All	426463-011
65	Packing - 5 required 2½"x¾" JC #1340	All	966302-001
66	Lantern ring	All	426451-005

**COMMON PARTS FOR OUTSIDE AND INSIDE SEAL ARRANGEMENTS**

ITEM NUMBER	DESCRIPTION	CONSTRUCTION	PART NUMBER
57	Male connector ¾" TUBE × ¼" NPT	Bronze fitted, Ductile bronze fitted	939001-114
		All iron, Ductile iron	939001-214
59	Tubing 24" required ¾" OD × .035 WALL	Bronze fitted, Ductile bronze fitted	997531-004
		All iron, Ductile iron	997153-004
63	TEE ¼" NPT	Bronze fitted, Ductile bronze fitted	935101-001
		All iron, Ductile iron	931101-101
64	Bushing ¼" × ⅛" NPT	Bronze fitted, Ductile bronze fitted	935123-050
		All iron, Ductile iron	931123-150
67	Nipple ¼" × 2½"	Bronze fitted, Ductile bronze fitted	938103-001
		All iron, Ductile iron	938003-101
68	Air release valve	Bronze fitted, Ductile bronze fitted	939018-101
		All iron, Ductile iron	218644-000

**TORONTO**

23 BERTRAND AVENUE  
TORONTO, ONTARIO  
CANADA  
M1L 2P3  
+1 416 755 2291

**BUFFALO**

93 EAST AVENUE  
NORTH TONAWANDA, NEW YORK  
U.S.A.  
14120-6594  
+1 716 693 8813

**BIRMINGHAM**

HEYWOOD WHARF, MUCKLOW HILL  
HALESOWEN, WEST MIDLANDS  
UNITED KINGDOM  
B62 8DJ  
+44 (0) 8444 145 145

**MANCHESTER**

WOLVERTON STREET  
MANCHESTER  
UNITED KINGDOM  
M11 2ET  
+44 (0) 8444 145 145

**BANGALORE**

#59, FIRST FLOOR, 3RD MAIN  
MARGOSA ROAD, MALLESWARAM  
BANGALORE, INDIA  
560 003  
+91 (0) 80 4906 3555

**SHANGHAI**

NO. 1619 HU HANG ROAD, XI DU TOWNSHIP  
FENG XIAN DISTRICT, SHANGHAI  
P.R.C.  
201401  
+86 21 3756 6696

**SÃO PAULO**

RUA JOSÉ SEMIÃO RODRIGUES AGOSTINHO,  
1370 GALPÃO 6  
EMBU DAS ARTES  
SAO PAULO, BRAZIL  
+55 11 4781 5500

ARMSTRONG FLUID TECHNOLOGY  
ESTABLISHED 1934

ARMSTRONGFLUIDTECHNOLOGY.COM

**MAKING  
ENERGY  
MAKE  
SENSE™**