



# Replacement Parts List

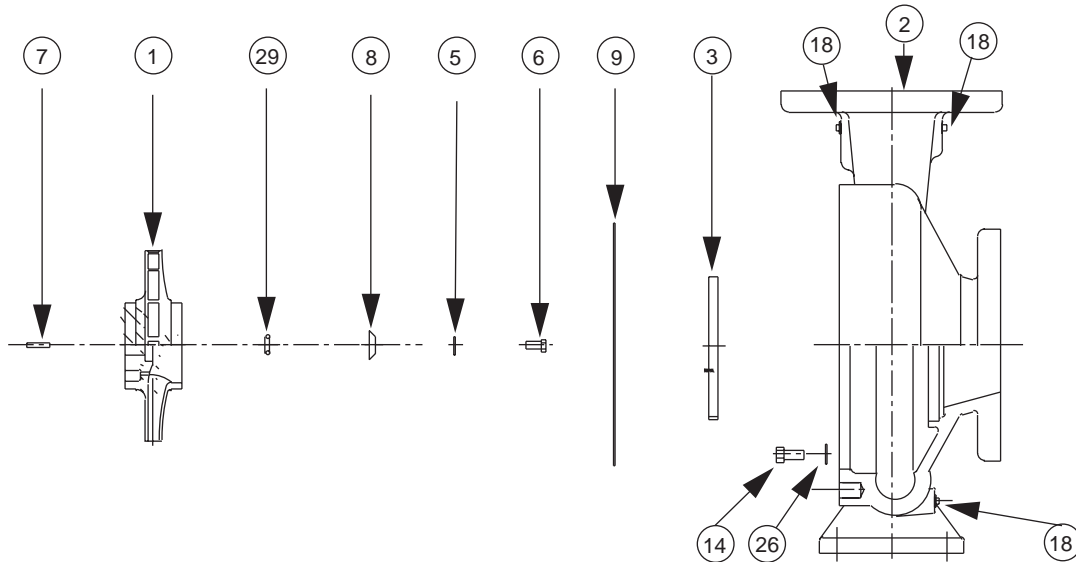
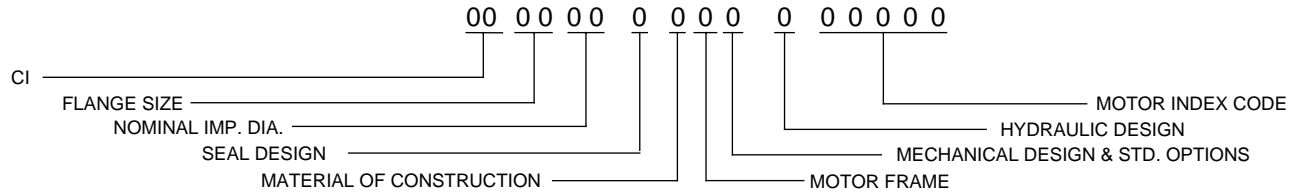
304-373

## CI 4075 & 5007

SUPERSEDES: 304-373 February 28, 2003

EFFECTIVE: January 31, 2004

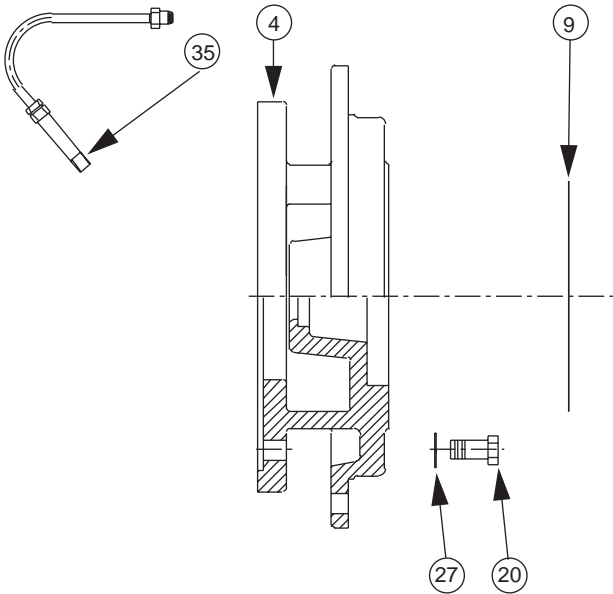
WHEN SELECTING AND ORDERING PARTS, ALWAYS REFER TO SERIAL NUMBER ON NAMEPLATE



AW-674 REV A

| ITEM NO. | NO. REQ. | DESCRIPTION            | 4075              | 4075            | 5007              | 5007            |
|----------|----------|------------------------|-------------------|-----------------|-------------------|-----------------|
|          |          |                        | FRAME H,J OR K    | FRAME L,M OR N  | FRAME H,J OR K    | FRAME L,M OR N  |
| 1        | 1        | IMPELLER (CI)          | 953-1779RP        | 953-1781RP      | 953-1733RP        | 953-1731RP      |
| 1        | 1        | IMPELLER (BRZ)         | 953-1780RP        | 953-1782RP      | 953-1734RP        | 953-1732RP      |
| 2        | 1        | CASING (125#)(NO W/R)  | 953-1783RP        | 953-1783RP      | 953-1735RP        | 953-1735RP      |
| 2        | 1        | CASING (250#)(NO W/R)  | 953-1784RP        | 953-1784RP      | 953-1736RP        | 953-1736RP      |
| 2        | 1        | CASING (125#)(BRZ W/R) | 953-2294RP        | 953-2294RP      | 953-2298RP        | 953-2298RP      |
| 2        | 1        | CASING (250#)(BRZ W/R) | 953-2295RP        | 953-2295RP      | 953-2299RP        | 953-2299RP      |
| 3        | 1(W/R)   | WEAR RING (BRZ)        | 953-1787RP        | 953-1787RP      | 953-1739RP        | 953-1739RP      |
| 5        | 1        | DOWDY WASHER           | 951-2578RP        | 951-2579RP      | 951-2578RP        | 951-2579RP      |
| 6        | 1        | IMPELLER BOLT (SST)    | 3/8NCX1-3/4LG     | 1/2NCX1-3/4LG   | 3/8NCX2LG         | 1/2NCX2LG       |
| 7        | 1        | IMPELLER KEY (SST)     | 3/16X3/16X1-7/8LG | 1/4X1/4X2-1/2LG | 3/16X3/16X2-1/8LG | 1/4X1/4X2-3/4LG |
| 8        | 1        | IMPELLER WASHER        | 953-828RP         | 953-829RP       | 953-828RP         | 953-829RP       |
| 9        | 1        | GASKET (CASING)        | 953-568RP         | 953-568RP       | 953-568RP         | 953-568RP       |
| 14       | 8        | CASING BOLT (ST)       | 3/8NCX1LG         | 3/8NCX1LG       | 3/8NCX1LG         | 3/8NCX1LG       |
| 18       | 3        | PIPE PLUG (BRS)        | 1/4 NPT           | 1/4 NPT         | 1/4 NPT           | 1/4 NPT         |
| 26       | 8        | CASING WASHER (ZN)     | 3/8               | 3/8             | 3/8               | 3/8             |
| 29       | 1        | IMPELLER GASKET        | 953-830RP         | 953-759RP       | 953-830RP         | 953-759RP       |

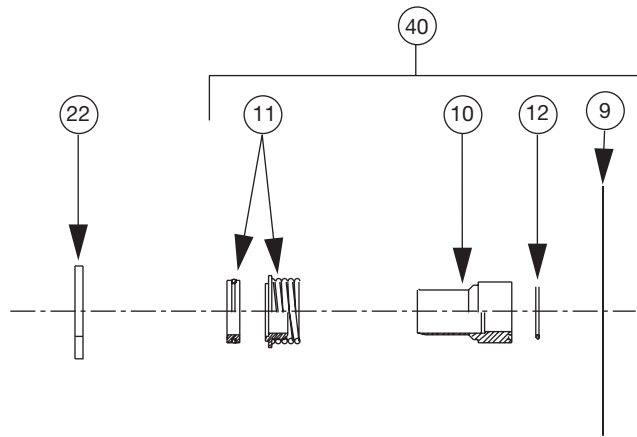
# CI Series Cover Replacement Parts



| ITEM NO. | NO. REQ. | DESCRIPTION     | MOTOR FRAME |            |            |               |   | MODEL NO  |
|----------|----------|-----------------|-------------|------------|------------|---------------|---|-----------|
|          |          |                 | H OR J      | K          | L          | M OR N        | R |           |
| 4        | 1        | COVER           | 953-1168RP  | 953-1169RP |            |               |   | 1207      |
| 4        | 1        | COVER           | 953-1161RP  | 953-1162RP | 953-1163RP |               |   | 1507      |
| 4        | 1        | COVER           | 953-1164RP  | 953-1165RP | 953-1166RP | 953-1167RP    |   | 2507      |
| 4        | 1        | COVER           | 953-562RP   | 953-564RP  | 953-566RP  | 953-567RP     |   | 3007      |
| 4        | 1        | COVER           | 953-1788RP  | 953-1789RP | 953-1790RP | 953-1791RP    |   | 4075      |
| 4        | 1        | COVER           | 953-1380RP  | 953-1381RP | 953-1382RP | 953-1383RP    |   | 4007      |
| 4        | 1        | COVER           | 953-1742RP  | 953-1743RP |            |               |   | 5007      |
| 9        | 1        | GASKET (CASING) | SEE PAGE 1  | SEE PAGE 1 | SEE PAGE 1 | SEE PAGE 1    |   | ALL ABOVE |
| 20       | 4        | MOTOR BOLT      | 3/8NCX7/8LG | 1/2NCX1LG  | 1/2NCX1LG  | 5/8NCX1-1/4LG |   |           |
| 27       | 4        | MOTOR WASHER    | 3/8         | 1/2        | 1/2        | 5/8           |   |           |
| 35       | 1        | TUBE KIT        | 951-1547RP  | 951-1547RP | 951-1547RP | 951-1547RP    |   |           |

AW-683 REV B

# CI Series Seal Replacement Parts



|   |   |   |   |
|---|---|---|---|
| 1206, 1506,<br>2506                                     |   | 1206, 1506,<br>2506                                     |   |
| 1207, 1507,<br>2007, 2507,<br>3007, 4075,<br>4007, 5007 | 1207, 1507,<br>2007, 2507,<br>3007, 4075,<br>4007, 5007 | 1207, 1507,<br>2007, 2507,<br>3007, 4075,<br>4007, 5007 | 1207, 1507,<br>2007, 2507,<br>3007, 4075,<br>4007, 5007 |
| 2508  | 2508  | 2508  | 2508  |
| 1509, 2009,<br>2509, 3009,<br>4009, 5009,<br>5095, 6009 | 1509, 2009,<br>2509, 3009,<br>4009, 5009,<br>5095, 6009 | 1509, 2009,<br>2509, 3009,<br>4009, 5009,<br>5095, 6009 | 1509, 2009,<br>2509, 3009,<br>4009, 5009,<br>5095, 6009 |
| 1511, 2511,<br>3011, 4011,<br>5011                      | 1511, 2511,<br>3011, 4011,<br>5011, 6011                | 1511, 2511,<br>3011, 4011,<br>5011                      | 1511, 2511,<br>3011, 4011,<br>5011, 6011                |
| 2510  | 2510  | 2510  | 2510  |
| 2513, 3013,<br>4013, 5013                               | 2513, 3013,<br>4013, 5013,<br>6013                      | 2513, 3013,<br>4013, 5013                               | 2513, 3013,<br>4013, 5013,<br>6013                      |

| ITEM NO. | NO. REQ. | DESCRIPTION           | MOTOR FRAME              |               | MOTOR FRAME              |                |
|----------|----------|-----------------------|--------------------------|---------------|--------------------------|----------------|
|          |          |                       | H, J OR K                | L,M,N OR R    | H, J OR K                | L,M,N OR R     |
|          |          |                       | MECHANICAL DES. A (125#) |               | MECHANICAL DES. B (250#) |                |
| 9        | 1        | GASKET (CASING)       | SEE PAGE 1               | SEE PAGE 1    | SEE PAGE 1               | SEE PAGE 1     |
| 10       | 1        | SLEEVE (SS)           | 953-1118RP               | 953-1170RP    | 953-1118RP               | 953-1170RP     |
| 10       | 1        | SLEEVE (BRZ)          | 953-1119RP               | 953-1171RP    | 953-1119RP               | 953-1171RP     |
| 11       | 1        | SEAL (TYPE B)         | 951-3157RP               | 951-3158RP    | 951-3766RP               | 951-5158RP     |
| 11       | 1        | SEAL (TYPE D)         | 951-3159RP               | 951-3160RP    | 951-3781RP               | 951-5159RP     |
| 11       | 1        | SEAL (TYPE E)         | 951-3161RP               | 951-3162RP    | 951-3782RP               | 951-5160RP     |
| 12       | 1        | SLEEVE GASKET         | 953-830RP                | 951-3042RP    | 953-830RP                | 951-3042RP     |
| 22       | 1        | DEFLECTOR             | 900-044RP                | 951-3065RP    | 900-044RP                | 951-3065RP     |
| 40       | 1        | SEAL KIT (TYPE B) SS  | 953-1549-1RP             | 953-1549-4RP  | 953-1549-7RP             | 953-1549-10RP  |
| 40       | 1        | SEAL KIT (TYPE B) BRZ | 953-1549-1BRP            | 953-1549-4BRP | 953-1549-7BRP            | 953-1549-10BRP |
| 40       | 1        | SEAL KIT (TYPE D) SS  | 953-1549-2RP             | 953-1549-5RP  | 953-1549-8RP             | 953-1549-11RP  |
| 40       | 1        | SEAL KIT (TYPE D) BRZ | 953-1549-2BRP            | 953-1549-5BRP | 953-1549-8BRP            | 953-1549-11BRP |
| 40       | 1        | SEAL KIT (TYPE E) SS  | 953-1549-3RP             | 953-1549-6RP  | 953-1549-9RP             | 953-1549-12RP  |
| 40       | 1        | SEAL KIT (TYPE E) BRZ | 953-1549-3BRP            | 953-1549-6BRP | 953-1549-9BRP            | 953-1549-12BRP |

AW-687 REV C

## **Do it Once. Do it Right.™**

**TACO, INC.**, 1160 Cranston Street, Cranston, RI 02920 Telephone: (401) 942-8000 FAX: (401) 942-2360.  
**TACO (Canada), Ltd.**, 6180 Ordan Drive, Mississauga, Ontario L5T 2B3. Telephone: 905/564-9422. FAX: 905/564-9436.

Visit our web site at: <http://www.taco-hvac.com>

Printed in USA

Copyright 2004

TACO, Inc.