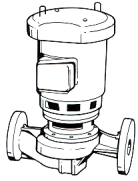


| | | |
|--------------------|------------------------|--------------|
| JOB: | REPRESENTATIVE: | |
| UNIT TAG: | ORDER NO. | DATE: |
| ENGINEER: | SUBMITTED BY: | DATE: |
| CONTRACTOR: | APPROVED BY: | DATE: |



3x3x11B Series e-80 In-Line Mounted Centrifugal Pumps

SPECIFICATIONS

FLOW _____ HEAD _____
 HP _____ RPM _____
 VOLTS _____
 CYCLE _____ INPUT PHASE _____
 ENCLOSURE _____
 APPROX. WEIGHT _____
 SPECIALS _____

MATERIALS OF CONSTRUCTION

Stainless Steel Fitted

MAXIMUM WORKING PRESSURE

- 175 psi (12 bar) with 125# ANSI flange drilling
- 250 psi (17 bar) with 250# ANSI flange drilling (requires 80-S)
- 300 psi (21 bar) W.P. with 250# ANSI flange drilling (Requires -S and EPR-Silicon Carbide-Silicon Carbide Seal)

MOUNTING

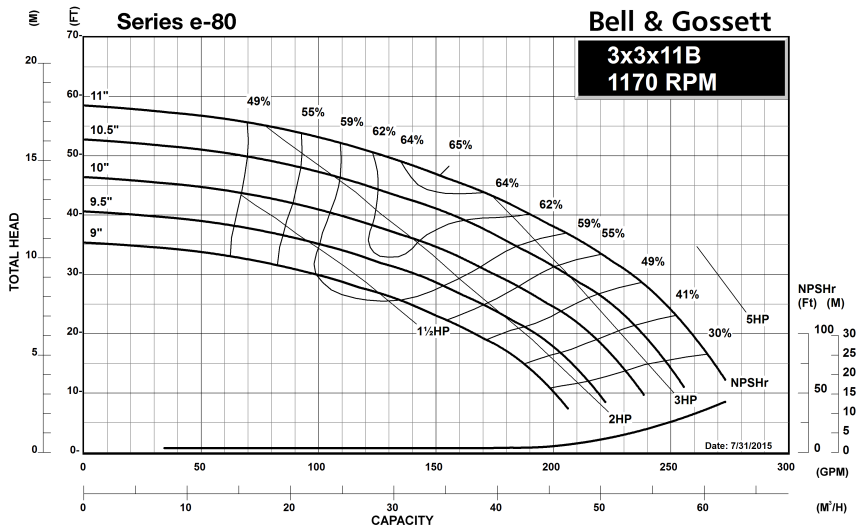
- In-Line Piping
- Flange Supports

PUMP VARIABLE SPEED CONTROL

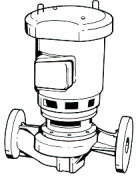
- Integrated Technologic® Sensorless Control (ITSC)
- Integrated Technologic® (IT)
 - External input by others
 - Pressure Sensor(s)
 - Differential Pressure Sensor(s)
 - Flow Sensor(s)
- By Others

TYPE OF SEAL

- F Standard Seal w/ Flush Line (Buna-Carbon/Ceramic)
- S Stuffing Box construction w/ Flushed Mechanical Single Seal (EPR-Tungsten Carbide/Carbon)
- PF Stuffing Box Construction w/ Flushed Packing (Graphite Impregnated PTFE)



| | | |
|--------------------|------------------------|--------------|
| JOB: | REPRESENTATIVE: | |
| UNIT TAG: | ORDER NO.: | DATE: |
| ENGINEER: | SUBMITTED BY: | DATE: |
| CONTRACTOR: | APPROVED BY: | DATE: |



3x3x11B Series e-80 In-Line Mounted Centrifugal Pumps

SPECIFICATIONS

FLOW _____ HEAD _____
 HP _____ RPM _____
 VOLTS _____
 CYCLE _____ INPUT PHASE _____
 ENCLOSURE _____
 APPROX. WEIGHT _____
 SPECIALS _____

MATERIALS OF CONSTRUCTION

Stainless Steel Fitted

MAXIMUM WORKING PRESSURE

- 175 psi (12 bar) with 125# ANSI flange drilling
- 250 psi (17 bar) with 250# ANSI flange drilling (requires 80-S)
- 300 psi (21 bar) W.P. with 250# ANSI flange drilling (Requires -S and EPR-Silicon Carbide-Silicon Carbide Seal)

MOUNTING

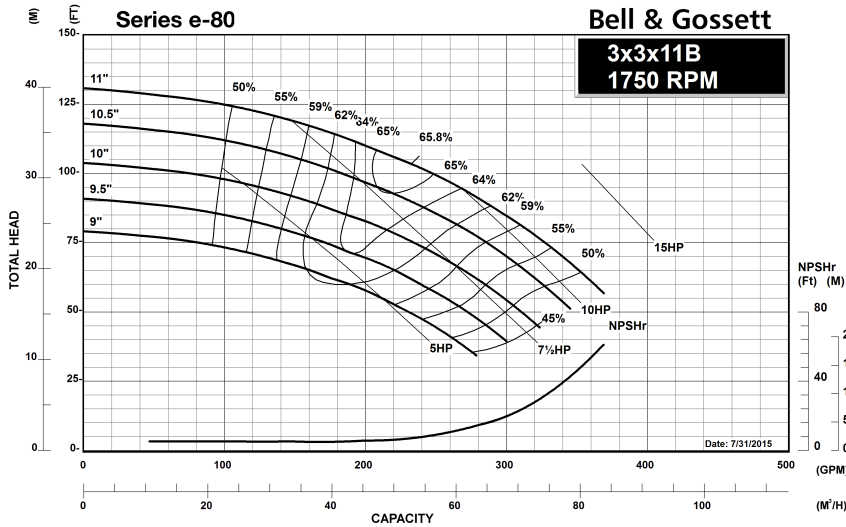
- In-Line Piping
- Flange Supports

PUMP VARIABLE SPEED CONTROL

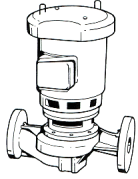
- Integrated Technologic® Sensorless Control (ITSC)
- Integrated Technologic® (IT)
 - External input by others
 - Pressure Sensor(s)
 - Differential Pressure Sensor(s)
 - Flow Sensor(s)
- By Others

TYPE OF SEAL

- F Standard Seal w/ Flush Line (Buna-Carbon/Ceramic)
- S Stuffing Box construction w/ Flushed Mechanical Single Seal (EPR-Tungsten Carbide/Carbon)
- PF Stuffing Box Construction w/ Flushed Packing (Graphite Impregnated PTFE)



| | | |
|--------------------|------------------------|--------------|
| JOB: | REPRESENTATIVE: | |
| UNIT TAG: | ORDER NO.: | DATE: |
| ENGINEER: | SUBMITTED BY: | DATE: |
| CONTRACTOR: | APPROVED BY: | DATE: |



3x3x11B Series e-80 In-Line Mounted Centrifugal Pumps

SPECIFICATIONS

FLOW _____ HEAD _____
 HP _____ RPM _____
 VOLTS _____
 CYCLE _____ INPUT PHASE _____
 ENCLOSURE _____
 APPROX. WEIGHT _____
 SPECIALS _____

MATERIALS OF CONSTRUCTION

Stainless Steel Fitted

MAXIMUM WORKING PRESSURE

- 175 psi (12 bar) with 125# ANSI flange drilling
- 250 psi (17 bar) with 250# ANSI flange drilling (requires 80-S)
- 300 psi (21 bar) W.P. with 250# ANSI flange drilling (Requires -S and EPR-Silicon Carbide-Silicon Carbide Seal)

MOUNTING

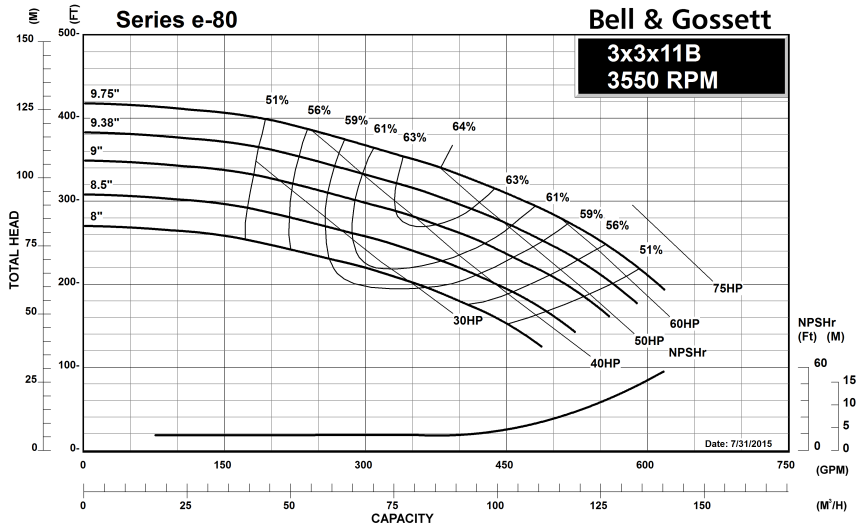
- In-Line Piping
- Flange Supports

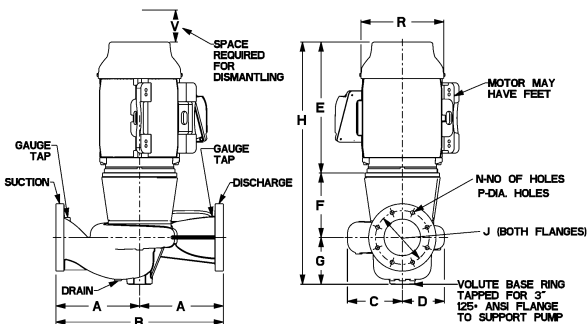
PUMP VARIABLE SPEED CONTROL

- Integrated Technologic® Sensorless Control (ITSC)
- Integrated Technologic® (IT)
 - External input by others
 - Pressure Sensor(s)
 - Differential Pressure Sensor(s)
 - Flow Sensor(s)
- By Others

TYPE OF SEAL

- F Standard Seal w/ Flush Line (Buna-Carbon/Ceramic)
- S Stuffing Box construction w/ Flushed Mechanical Single Seal (EPR-Tungsten Carbide/Carbon)
- PF Stuffing Box Construction w/ Flushed Packing (Graphite Impregnated PTFE)





3x3x11B Series e-80 Centrifugal Pump Submittal - In-Line Piping

DIMENSIONS - Inches (mm)

STANDARD SEAL

| MOTOR FRAME | A | B | C | D | E (max) | F | G | H (max) | 125# ANSI | | | 250# ANSI | | | R | S (Max)* | V (min) | Suct/Disch Gauge Taps (NPT) | Drain Tap (NPT) |
|-------------|----------------|----------------|---------------|---------------|----------------|---------------|---------------|----------------|---------------|---|--------------|---------------|---|--------------|----------------|---------------|---------------|-----------------------------|-----------------|
| | | | | | | | | | J | N | P | J | N | P | | | | | |
| 213JM | 12.00 (305) | 24.00 (610) | 6.99 (177) | 7.13 (181) | 19.25 (489) | 4.19 (106) | 6.75 (171) | 30.19 (767) | 6.00 (152) | 4 | 0.75 (19) | 6.63 (168) | 8 | 0.88 (22) | 14.00 (356) | - | 5.75 (146) | 0.25 | 0.25 |
| 215JM | 12.00 (305) | 24.00 (610) | 6.99 (177) | 7.13 (181) | 19.25 (489) | 4.19 (106) | 6.75 (171) | 30.19 (767) | 6.00 (152) | 4 | 0.75 (19) | 6.63 (168) | 8 | 0.88 (22) | 14.00 (356) | - | 5.75 (146) | 0.25 | 0.25 |
| 254JM | 12.00 (305) | 24.00 (610) | 6.99 (177) | 7.13 (181) | 24.13 (613) | 4.67 (119) | 6.75 (171) | 35.54 (903) | 6.00 (152) | 4 | 0.75 (19) | 6.63 (168) | 8 | 0.88 (22) | 17.00 (432) | - | 5.75 (146) | 0.25 | 0.25 |
| 256JM | 12.00 (305) | 24.00 (610) | 6.99 (177) | 7.13 (181) | 24.13 (613) | 4.67 (119) | 6.75 (171) | 35.54 (903) | 6.00 (152) | 4 | 0.75 (19) | 6.63 (168) | 8 | 0.88 (22) | 17.00 (432) | - | 5.75 (146) | 0.25 | 0.25 |
| 284JM | 12.00 (305) | 24.00 (610) | 6.99 (177) | 7.13 (181) | 23.63 (600) | 4.67 (119) | 6.75 (171) | 35.04 (890) | 6.00 (152) | 4 | 0.75 (19) | 6.63 (168) | 8 | 0.88 (22) | 16.13 (410) | 4.63 (117) | 5.75 (146) | 0.25 | 0.25 |
| 286JM | 12.00 (305) | 24.00 (610) | 6.99 (177) | 7.13 (181) | 25.13 (638) | 4.67 (119) | 6.75 (171) | 36.54 (928) | 6.00 (152) | 4 | 0.75 (19) | 6.63 (168) | 8 | 0.88 (22) | 16.13 (410) | 4.63 (117) | 5.75 (146) | 0.25 | 0.25 |
| 324JM | 12.00 (305) | 24.00 (610) | 6.99 (177) | 7.13 (181) | 26.00 (660) | 4.67 (119) | 6.75 (171) | 37.42 (950) | 6.00 (152) | 4 | 0.75 (19) | 6.63 (168) | 8 | 0.88 (22) | 18.75 (476) | 4.63 (117) | 5.75 (146) | 0.25 | 0.25 |
| 326JM | 12.00 (305) | 24.00 (610) | 6.99 (177) | 7.13 (181) | 26.00 (660) | 4.67 (119) | 6.75 (171) | 37.42 (950) | 6.00 (152) | 4 | 0.75 (19) | 6.63 (168) | 8 | 0.88 (22) | 18.75 (476) | 4.63 (117) | 5.75 (146) | 0.25 | 0.25 |

STUFFING BOX

| MOTOR FRAME | A | B | C | D | E (max) | F | G | H (max) | 125# ANSI | | | 250# ANSI | | | R | S (Max)* | V (min) | Suct/Disch Gauge Taps (NPT) | Drain Tap (NPT) |
|-------------|----------------|----------------|---------------|---------------|----------------|---------------|---------------|-----------------|---------------|---|--------------|---------------|---|--------------|----------------|---------------|---------------|-----------------------------|-----------------|
| | | | | | | | | | J | N | P | J | N | P | | | | | |
| 213JP | 12.00 (305) | 24.00 (610) | 6.99 (177) | 7.13 (181) | 19.25 (489) | 7.19 (183) | 6.75 (171) | 33.19 (843) | 6.00 (152) | 4 | 0.75 (19) | 6.63 (168) | 8 | 0.88 (22) | 14.00 (356) | - | 5.75 (146) | 0.25 | 0.25 |
| 215JP | 12.00 (305) | 24.00 (610) | 6.99 (177) | 7.13 (181) | 19.25 (489) | 7.19 (183) | 6.75 (171) | 33.19 (843) | 6.00 (152) | 4 | 0.75 (19) | 6.63 (168) | 8 | 0.88 (22) | 14.00 (356) | - | 5.75 (146) | 0.25 | 0.25 |
| 254JP | 12.00 (305) | 24.00 (610) | 6.99 (177) | 7.13 (181) | 24.13 (613) | 7.50 (191) | 6.75 (171) | 38.38 (975) | 6.00 (152) | 4 | 0.75 (19) | 6.63 (168) | 8 | 0.88 (22) | 17.00 (432) | - | 5.75 (146) | 0.25 | 0.25 |
| 256JP | 12.00 (305) | 24.00 (610) | 6.99 (177) | 7.13 (181) | 24.13 (613) | 7.50 (191) | 6.75 (171) | 38.38 (975) | 6.00 (152) | 4 | 0.75 (19) | 6.63 (168) | 8 | 0.88 (22) | 17.00 (432) | - | 5.75 (146) | 0.25 | 0.25 |
| 284JP | 12.00 (305) | 24.00 (610) | 6.99 (177) | 7.13 (181) | 23.63 (600) | 7.50 (191) | 6.75 (171) | 37.88 (962) | 6.00 (152) | 4 | 0.75 (19) | 6.63 (168) | 8 | 0.88 (22) | 16.13 (410) | 4.63 (117) | 5.75 (146) | 0.25 | 0.25 |
| 286P | 12.00 (305) | 24.00 (610) | 6.99 (177) | 7.13 (181) | 25.13 (638) | 7.50 (191) | 6.75 (171) | 39.38 (1000) | 6.00 (152) | 4 | 0.75 (19) | 6.63 (168) | 8 | 0.88 (22) | 16.13 (410) | 4.63 (117) | 5.75 (146) | 0.25 | 0.25 |
| 324JP | 12.00 (305) | 24.00 (610) | 6.99 (177) | 7.13 (181) | 26.00 (660) | 7.50 (191) | 6.75 (171) | 40.25 (1022) | 6.00 (152) | 4 | 0.75 (19) | 6.63 (168) | 8 | 0.88 (22) | 18.75 (476) | 4.63 (117) | 5.75 (146) | 0.25 | 0.25 |
| 326JP | 12.00 (305) | 24.00 (610) | 6.99 (177) | 7.13 (181) | 26.00 (660) | 7.50 (191) | 6.75 (171) | 40.25 (1022) | 6.00 (152) | 4 | 0.75 (19) | 6.63 (168) | 8 | 0.88 (22) | 18.75 (476) | 4.63 (117) | 5.75 (146) | 0.25 | 0.25 |
| 284JP | 9.50 (241) | 19.00 (483) | 5.88 (149) | 6.25 (159) | 23.63 (600) | 8.56 (217) | 4.50 (114) | 36.75 (933) | 3.88 (98) | 4 | 0.63 (16) | 4.50 (114) | 4 | 0.88 (22) | 16.13 (410) | 4.63 (117) | 4.00 (102) | 0.25 | 0.25 |
| 286JP | 9.50 (241) | 19.00 (483) | 5.88 (149) | 6.25 (159) | 25.13 (638) | 8.56 (217) | 4.50 (114) | 38.13 (968) | 3.88 (98) | 4 | 0.63 (16) | 4.50 (114) | 4 | 0.88 (22) | 16.13 (410) | 4.63 (117) | 4.00 (102) | 0.25 | 0.25 |

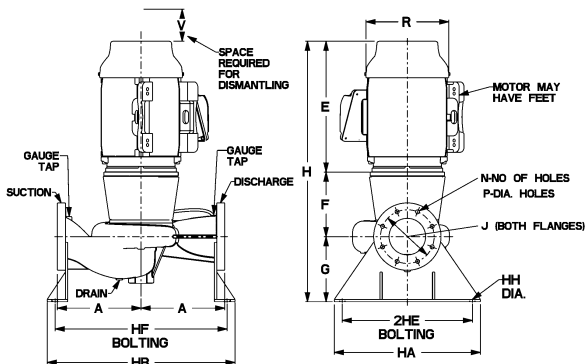
Dimensions are subject to change. Not to be used for construction purposes unless certified.

NOTE: For Single phase Motors add 1" to dimensions E & H.

*Dimensions are for ODP Motors. For TEFC add S dimension to dimensions E & H.

Xylem Inc.
8200 N. Austin Avenue, Morton Grove, IL 60053
Phone: (847)966-3700 Fax: (847)965-8379
www.bellgossett.com
Bell & Gossett is a trademark of Xylem Inc. or one of its subsidiaries.
© 2015 Xylem Inc.





3x3x11B Series e-80 Centrifugal Pump Submittal - Flange Support Mounting

DIMENSIONS - Inches (mm)

STANDARD SEAL

| MOTOR FRAME | A | HF BOLTING | HB | 2HE BOLTING | HA | HH DIA | E (max) | F | G | H (max) | 125# ANSI | | | 250# ANSI | | | R | S (Max)* | V (min) | Suct/Disch Gauge Taps (NPT) | Drain Tap (NPT) |
|-------------|----------------|----------------|----------------|----------------|----------------|--------------|----------------|---------------|---------------|----------------|---------------|---|--------------|---------------|---|--------------|----------------|---------------|---------------|-----------------------------|-----------------|
| | | | | | | | | | | | J | N | P | J | N | P | | | | | |
| 213JM | 12.00 (305) | 25.94 (659) | 29.44 (748) | 21.50 (546) | 25.00 (635) | 0.88 (22) | 19.25 (489) | 4.19 (106) | 6.75 (171) | 30.19 (767) | 6.00 (152) | 4 | 0.75 (19) | 6.63 (168) | 8 | 0.88 (22) | 14.00 (356) | - | 5.75 (146) | 0.25 | 0.25 |
| 215JM | 12.00 (305) | 25.94 (659) | 29.44 (748) | 21.50 (546) | 25.00 (635) | 0.88 (22) | 19.25 (489) | 4.19 (106) | 6.75 (171) | 30.19 (767) | 6.00 (152) | 4 | 0.75 (19) | 6.63 (168) | 8 | 0.88 (22) | 14.00 (356) | - | 5.75 (146) | 0.25 | 0.25 |
| 254JM | 12.00 (305) | 25.94 (659) | 29.44 (748) | 21.50 (546) | 25.00 (635) | 0.88 (22) | 24.13 (613) | 4.67 (119) | 6.75 (171) | 35.54 (903) | 6.00 (152) | 4 | 0.75 (19) | 6.63 (168) | 8 | 0.88 (22) | 17.00 (432) | - | 5.75 (146) | 0.25 | 0.25 |
| 256JM | 12.00 (305) | 25.94 (659) | 29.44 (748) | 21.50 (546) | 25.00 (635) | 0.88 (22) | 24.13 (613) | 4.67 (119) | 6.75 (171) | 35.54 (903) | 6.00 (152) | 4 | 0.75 (19) | 6.63 (168) | 8 | 0.88 (22) | 17.00 (432) | - | 5.75 (146) | 0.25 | 0.25 |
| 284JM | 12.00 (305) | 25.94 (659) | 29.44 (748) | 21.50 (546) | 25.00 (635) | 0.88 (22) | 23.63 (600) | 4.67 (119) | 6.75 (171) | 35.04 (890) | 6.00 (152) | 4 | 0.75 (19) | 6.63 (168) | 8 | 0.88 (22) | 16.13 (410) | 4.63 (117) | 5.75 (146) | 0.25 | 0.25 |
| 286JM | 12.00 (305) | 25.94 (659) | 29.44 (748) | 21.50 (546) | 25.00 (635) | 0.88 (22) | 25.13 (638) | 4.67 (119) | 6.75 (171) | 36.54 (928) | 6.00 (152) | 4 | 0.75 (19) | 6.63 (168) | 8 | 0.88 (22) | 16.13 (410) | 4.63 (117) | 5.75 (146) | 0.25 | 0.25 |
| 324JM | 12.00 (305) | 25.94 (659) | 29.44 (748) | 21.50 (546) | 25.00 (635) | 0.88 (22) | 26.00 (660) | 4.67 (119) | 6.75 (171) | 37.42 (950) | 6.00 (152) | 4 | 0.75 (19) | 6.63 (168) | 8 | 0.88 (22) | 18.75 (476) | 4.63 (117) | 5.75 (146) | 0.25 | 0.25 |
| 326JM | 12.00 (305) | 25.94 (659) | 29.44 (748) | 21.50 (546) | 25.00 (635) | 0.88 (22) | 26.00 (660) | 4.67 (119) | 6.75 (171) | 37.42 (950) | 6.00 (152) | 4 | 0.75 (19) | 6.63 (168) | 8 | 0.88 (22) | 18.75 (476) | 4.63 (117) | 5.75 (146) | 0.25 | 0.25 |

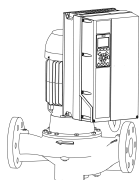
STUFFING BOX

| MOTOR FRAME | A | HF BOLTING | HB | 2HE BOLTING | HA | HH DIA | E (max) | F | G | H (max) | 125# ANSI | | | 250# ANSI | | | R | S (Max)* | V (min) | Suct/Disch Gauge Taps (NPT) | Drain Tap (NPT) |
|-------------|----------------|----------------|----------------|----------------|----------------|--------------|----------------|---------------|---------------|-----------------|---------------|---|--------------|---------------|---|--------------|----------------|---------------|---------------|-----------------------------|-----------------|
| | | | | | | | | | | | J | N | P | J | N | P | | | | | |
| 213JP | 12.00 (305) | 25.94 (659) | 29.44 (748) | 21.50 (546) | 25.00 (635) | 0.88 (22) | 19.25 (489) | 7.19 (183) | 6.75 (171) | 33.19 (843) | 6.00 (152) | 4 | 0.75 (19) | 6.63 (168) | 8 | 0.88 (22) | 14.00 (356) | - | 5.75 (146) | 0.25 | 0.25 |
| 215JP | 12.00 (305) | 25.94 (659) | 29.44 (748) | 21.50 (546) | 25.00 (635) | 0.88 (22) | 19.25 (489) | 7.19 (183) | 6.75 (171) | 33.19 (843) | 6.00 (152) | 4 | 0.75 (19) | 6.63 (168) | 8 | 0.88 (22) | 14.00 (356) | - | 5.75 (146) | 0.25 | 0.25 |
| 254JP | 12.00 (305) | 25.94 (659) | 29.44 (748) | 21.50 (546) | 25.00 (635) | 0.88 (22) | 24.13 (613) | 7.50 (191) | 6.75 (171) | 38.38 (975) | 6.00 (152) | 4 | 0.75 (19) | 6.63 (168) | 8 | 0.88 (22) | 17.00 (432) | - | 5.75 (146) | 0.25 | 0.25 |
| 256JP | 12.00 (305) | 25.94 (659) | 29.44 (748) | 21.50 (546) | 25.00 (635) | 0.88 (22) | 24.13 (613) | 7.50 (191) | 6.75 (171) | 38.38 (975) | 6.00 (152) | 4 | 0.75 (19) | 6.63 (168) | 8 | 0.88 (22) | 17.00 (432) | - | 5.75 (146) | 0.25 | 0.25 |
| 284JP | 12.00 (305) | 25.94 (659) | 29.44 (748) | 21.50 (546) | 25.00 (635) | 0.88 (22) | 23.63 (600) | 7.50 (191) | 6.75 (171) | 37.88 (962) | 6.00 (152) | 4 | 0.75 (19) | 6.63 (168) | 8 | 0.88 (22) | 16.13 (410) | 4.63 (117) | 5.75 (146) | 0.25 | 0.25 |
| 286P | 12.00 (305) | 25.94 (659) | 29.44 (748) | 21.50 (546) | 25.00 (635) | 0.88 (22) | 25.13 (638) | 7.50 (191) | 6.75 (171) | 39.38 (1000) | 6.00 (152) | 4 | 0.75 (19) | 6.63 (168) | 8 | 0.88 (22) | 16.13 (410) | 4.63 (117) | 5.75 (146) | 0.25 | 0.25 |
| 324JP | 12.00 (305) | 25.94 (659) | 29.44 (748) | 21.50 (546) | 25.00 (635) | 0.88 (22) | 26.00 (660) | 7.50 (191) | 6.75 (171) | 40.25 (1022) | 6.00 (152) | 4 | 0.75 (19) | 6.63 (168) | 8 | 0.88 (22) | 18.75 (476) | 4.63 (117) | 5.75 (146) | 0.25 | 0.25 |
| 326JP | 12.00 (305) | 25.94 (659) | 29.44 (748) | 21.50 (546) | 25.00 (635) | 0.88 (22) | 26.00 (660) | 7.50 (191) | 6.75 (171) | 40.25 (1022) | 6.00 (152) | 4 | 0.75 (19) | 6.63 (168) | 8 | 0.88 (22) | 18.75 (476) | 4.63 (117) | 5.75 (146) | 0.25 | 0.25 |

Dimensions are subject to change. Not to be used for construction purposes unless certified.

NOTE: For Single phase Motors add 1" to dimensions E & H.

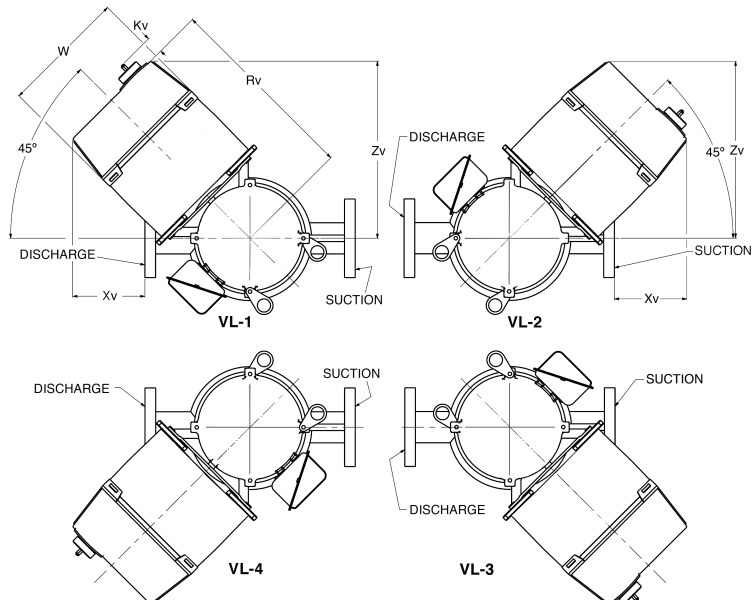
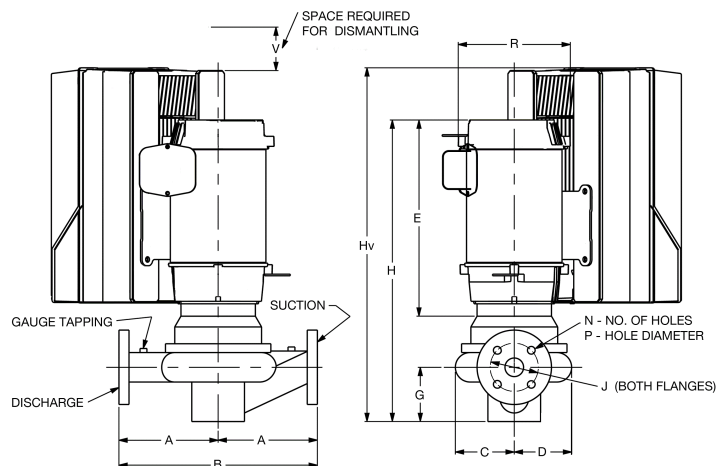
*Dimensions are for ODP Motors. For TEFC add S dimension to dimensions E & H.



3x3x11B Series e-80

In-Line Mounted Centrifugal Pumps With Integrated Technologic® Control

| TECHNOLOGIC STANDARD FEATURES | |
|---|--|
| CONTROL METHOD WITH INTEGRATED TECHNOLOGIC® SENSORLESS CONTROL (ITSC) | Factory configured for sensorless operation. |
| CONTROL METHOD WITH INTEGRATED TECHNOLOGIC® (IT) | Field configurable for sensor by others, building management system input, or optional sensor(s) provided. |
| ENCLOSURE | NEMA 12 (same as IP55 & UL type 12) |
| POWER DISCONNECT SWITCH | Included standard. Fused Disconnect Switch optional with three phase input voltage. |
| HARMONIC SUPPRESSION | Integrated non-saturating dual DC link reactors provide better harmonic performance than a 5% AC line reactor. |
| COOLING | Fan-cooled through temperature controlled and easy replacement. |
| AMBIENT TEMPERATURE RATING | 14°F to 113°F (-10°C to 45°C) |
| COMMUNICATION PROTOCOLS | BACnet, Modbus RTU, N2 Metasys, FLN Apogee |
| ANALOG INPUTS | 2 configurable for either voltage (0 to 10VDC) or current(0/4 to 20mA) |
| ANALOG OUTPUTS | 1 (0/4 to 20mA) up to 500 ohm load accurate to 1% of full scale |
| DIGITAL INPUTS | 4 (0 to 24VDC), NPN or PNP, 0 to 24VDC, on 5 msec scan interval, Up to 2 can be configured as pulse inputs. |
| DIGITAL OUTPUTS | 2 (0 to 24VDC), 40mA max current, configurable as pulse outputs. |
| RELAY OUTPUTS | 2 programmable, 240VAC or 400VAC up to 2 A |
| MINIMUM CONTROL HEAD | _____ ft (default set to 40% of design head if not unknown) |



Series e-80 3x3x11B

In-Line Mounted Centrifugal Pumps

With Integrated Technologic® Control

B.139.16

| DIMENSIONS - Inches (mm) | | | | | | | STANDARD SEAL | | | | | | STUFFING BOX | | | | | | | | | | | | | | |
|--------------------------|-----|----------------|----------------|----------------|-----------------|---------------|---------------|-----|----------------|----------------|----------------|-----------------|---------------|-------------|-----|----------------|----------------|----------------|-----------------|---------------|-------|----|----------------|----------------|----------------|-----------------|---------------|
| MOTOR FRAME | VFD | Rv | Zv | W | Hv | Xv | MOTOR FRAME | VFD | Rv | Zv | W | Hv | Xv | MOTOR FRAME | VFD | Rv | Zv | W | Hv | Xv | | | | | | | |
| 213JM | A5 | 13.53 (344) | 12.56 (319) | 9.50 (241) | 32.77 (832) | 1.31 (33) | 213JP | A5 | 13.53 (344) | 12.56 (319) | 9.50 (241) | 35.77 (908) | 1.31 (33) | 215JM | A5 | 13.53 (344) | 12.56 (319) | 9.50 (241) | 34.30 (871) | 1.31 (33) | 215JP | A5 | 13.53 (344) | 12.56 (319) | 9.50 (241) | 34.30 (871) | 1.31 (33) |
| | B1 | 15.82 (402) | 14.16 (360) | 9.50 (241) | 34.02 (864) | 2.91 (74) | | B1 | 15.82 (402) | 14.16 (360) | 9.50 (241) | 37.02 (940) | 2.91 (74) | | B1 | 15.82 (402) | 14.16 (360) | 9.50 (241) | 35.55 (903) | 2.91 (74) | | B1 | 15.82 (402) | 14.16 (360) | 9.50 (241) | 35.55 (903) | 2.91 (74) |
| | B2 | 15.82 (402) | 14.16 (360) | 9.50 (241) | 39.76 (1010) | 2.91 (74) | | B2 | 15.82 (402) | 14.16 (360) | 9.50 (241) | 42.76 (1086) | 2.91 (74) | | B2 | 15.82 (402) | 14.16 (360) | 9.50 (241) | 41.29 (1049) | 2.91 (74) | | B2 | 15.82 (402) | 14.16 (360) | 9.50 (241) | 41.29 (1049) | 2.91 (74) |
| 254JM | A5 | 13.53 (344) | 12.56 (319) | 9.50 (241) | 31.30 (795) | 1.31 (33) | 254JP | A5 | 13.53 (344) | 12.56 (319) | 9.50 (241) | 34.30 (871) | 1.31 (33) | 256JM | B1 | 16.83 (427) | 14.92 (379) | 9.50 (241) | 38.54 (979) | 3.63 (92) | 256JP | B1 | 16.83 (427) | 14.92 (379) | 9.50 (241) | 40.75 (1035) | 3.63 (92) |
| | B1 | 15.82 (402) | 14.16 (360) | 9.50 (241) | 32.55 (827) | 2.91 (74) | | B1 | 16.83 (427) | 14.92 (379) | 9.50 (241) | 45.84 (1164) | 3.63 (92) | | B2 | 16.83 (427) | 14.92 (379) | 9.50 (241) | 48.29 (1227) | 9.13 (232) | | B2 | 16.83 (427) | 14.92 (379) | 9.50 (241) | 45.20 (1148) | 3.63 (92) |
| | B2 | 15.82 (402) | 14.16 (360) | 9.50 (241) | 38.29 (972) | 2.91 (74) | | B2 | 16.83 (427) | 14.92 (379) | 9.50 (241) | 47.10 (1196) | 6.83 (173) | | C1 | 18.77 (477) | 18.12 (460) | 12.10 (307) | 44.26 (1124) | 6.83 (173) | | C1 | 18.77 (477) | 18.12 (460) | 12.10 (307) | 46.46 (1180) | 6.83 (173) |
| | C1 | 17.76 (451) | 17.36 (441) | 12.10 (307) | 40.31 (1024) | 6.11 (155) | | C1 | 18.77 (477) | 18.12 (460) | 12.10 (307) | 47.10 (1196) | 6.83 (173) | | C2 | 19.55 (497) | 20.42 (519) | 14.60 (371) | 48.29 (1227) | 9.13 (232) | | C2 | 19.55 (497) | 20.42 (519) | 14.60 (371) | 51.12 (1299) | 9.13 (232) |
| 284JM | B1 | 16.83 (427) | 14.92 (379) | 9.50 (241) | 37.92 (963) | 3.63 (92) | 284JP | B1 | 16.83 (427) | 14.92 (379) | 9.50 (241) | 40.75 (1035) | 3.63 (92) | 286JM | B1 | 17.58 (446) | 15.45 (393) | 9.50 (241) | 43.25 (1098) | 3.77 (96) | 286JP | B1 | 17.58 (446) | 15.45 (393) | 9.50 (241) | 46.08 (1170) | 3.77 (96) |
| | B2 | 16.83 (427) | 14.92 (379) | 9.50 (241) | 42.37 (1076) | 3.63 (92) | | B2 | 16.83 (427) | 14.92 (379) | 9.50 (241) | 45.20 (1148) | 3.63 (92) | | C1 | 19.58 (497) | 17.63 (448) | 12.09 (307) | 45.65 (1160) | 6.50 (165) | | C1 | 19.58 (497) | 17.63 (448) | 12.09 (307) | 48.48 (1232) | 6.50 (165) |
| | C1 | 18.77 (477) | 18.12 (460) | 12.10 (307) | 43.63 (1108) | 6.83 (173) | | C1 | 18.77 (477) | 18.12 (460) | 12.10 (307) | 46.46 (1180) | 6.83 (173) | | C2 | 19.58 (497) | 17.63 (448) | 12.09 (307) | 44.15 (1122) | 3.63 (92) | | C2 | 19.58 (497) | 17.63 (448) | 12.09 (307) | 44.15 (1122) | 3.63 (92) |
| | C2 | 19.55 (497) | 20.42 (519) | 14.60 (371) | 48.29 (1227) | 9.13 (232) | | C2 | 19.55 (497) | 20.42 (519) | 14.60 (371) | 51.12 (1299) | 9.13 (232) | | B2 | 17.58 (446) | 15.45 (393) | 9.50 (241) | 42.59 (1082) | 4.88 (124) | | B2 | 17.58 (446) | 15.45 (393) | 9.50 (241) | 45.42 (1154) | 4.88 (124) |
| 324JM | B2 | 18.58 (472) | 16.16 (410) | 9.50 (241) | 42.59 (1082) | 4.88 (124) | 324JP | B2 | 18.58 (472) | 16.16 (410) | 9.50 (241) | 45.42 (1154) | 4.88 (124) | 326JM | C1 | 20.58 (523) | 18.33 (466) | 12.09 (307) | 42.94 (1091) | 7.17 (182) | 326JP | C1 | 20.58 (523) | 18.33 (466) | 12.09 (307) | 45.77 (1162) | 7.17 (182) |
| | C1 | 20.58 (523) | 18.33 (466) | 12.09 (307) | 42.94 (1091) | 7.17 (182) | | C1 | 20.58 (523) | 18.33 (466) | 12.09 (307) | 46.98 (1193) | 3.63 (92) | | C2 | 21.58 (548) | 19.88 (505) | 14.59 (371) | 47.50 (1206) | 8.81 (224) | | C2 | 21.58 (548) | 19.88 (505) | 14.59 (371) | 50.33 (1278) | 8.81 (224) |

NOTE: Drives with single phase input have three phase output and include three phase motors.
Kv=2 (50)

Xylem Inc.
8200 N. Austin Avenue, Morton Grove, IL 60053
Phone: (847)966-3700 Fax: (847)965-8379
www.bellgossett.com
Bell & Gossett is a trademark of Xylem Inc. or one of its subsidiaries.
© 2015 Xylem Inc.

xylem
Let's Solve Water

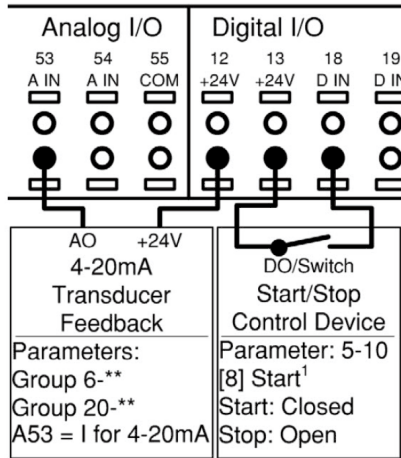


Pressure Sensor/Transmitter For Pumps with TECHNOLOGIC® Drives

FEATURES

- 4-20mA output
- 10-28 VDC supply voltage
- Operating Temperature -40 to 85°C (-40 to 185°F)
- Storage Temperature -40 to 100°C (-40 to 212°F)
- Enclosure IP-66 (housing only)
- High Strength Stainless Steel Construction
- No Oil, Welds or Internal O-rings
- Wide Operating Temperature
- Low Static and Thermal Errors
- Compatible with Wide Variety of Liquids and Gases
- EMI/RFI Protection
- UL/cUL 508 Approved (with housing)
- 1lb. (0.45 kg) approximate weight

TECHNOLOGIC ANALOG SENSOR WIRING



B&G PART NUMBERS

- S13203 Pressure range: 0-100 psi (0-689 kPa)
- S13204 Pressure range: 0-300 psi (0-2068 kPa)

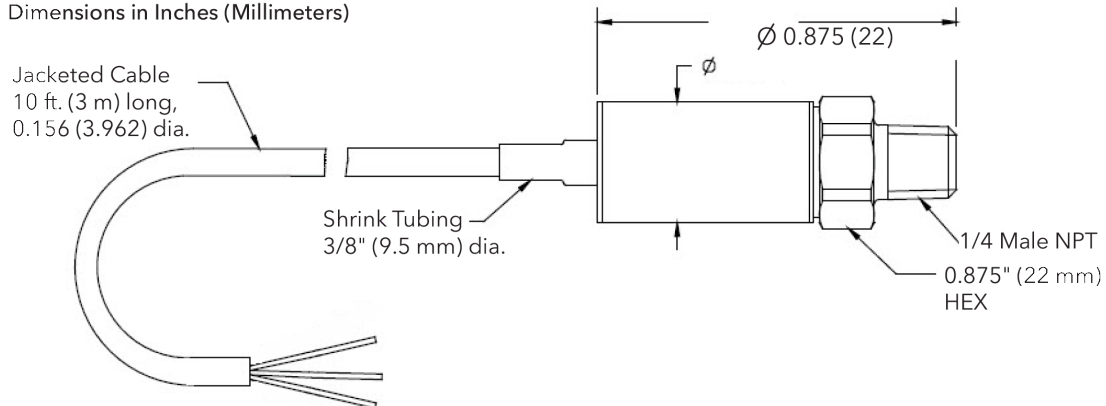
Consult factory for other ranges.

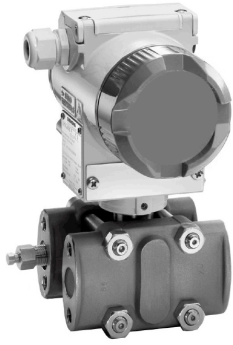
INSTALLATION CONSIDERATIONS

- Standard 24 AWG (0.61 mm dia.) 2 wire shielded cable located in a conduit separate from high voltage wiring
- 24 vdc power supplied from Technologic Controller

DIMENSIONAL INFORMATION

Dimensions in Inches (Millimeters)



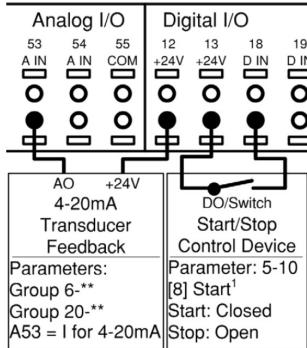


Differential Pressure Sensor/ Transmitter For Pumps with TECHNOLOGIC® Drives

FEATURES

- Relays reading to the Technologic controller up to 2000 ft. (610 m) away
- All wetted parts are 316 stainless steel
- Built-in RFI filter effective from 20 to 1000 MHz
- Withstands static pressures up to 2300 PSI (15858 kPa)
- 3 Valve bypass manifold (optional)
- 10 lbs. (4.5 kg) approximate weight

TECHNOLOGIC ANALOG SENSOR WIRING



B&G PART NUMBERS

- S100089 Pressure range: 0 - 40 psi (0 - 276 kPa)
- S100091 Pressure range: 0 - 70 psi (0 - 483 kPa)
- S100092 Pressure range: 0 - 100 psi (0 - 689 kPa)

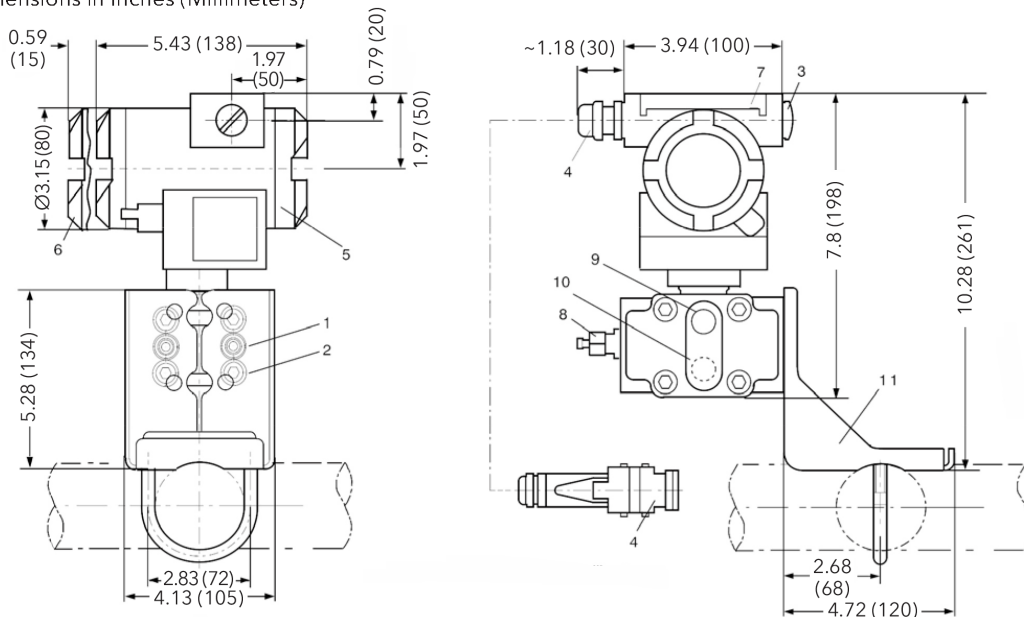
Consult factory for other ranges.

INSTALLATION CONSIDERATIONS

- Standard 18 AWG (1.194 mm dia.) 2 wire shielded cable located in a conduit separate from high voltage wiring
- 24 vdc power supplied from Technologic Controller for distance <2000 ft (610 m)

DIMENSIONAL INFORMATION

Dimensions in Inches (Millimeters)



- 1 Process connection 1/4-18NPT for absolute pressure (+) side
- 2 Mounting thread 7/16-20 UNF to EN 61518
- 3 Dummy plug
- 4 Electrical connection: Screwed gland 1/2-14 NPT
- 5 Connection side

- 6 Electronic side, no digital display
- 7 Access cover over magnetic pushbuttons
- 8 Sealing screw with vent shown (optional)
- 9 Side vent for measuring liquid
- 10 Side vent for measuring gas (supplement H02)
- 11 Mounting bracket (2 shackles, 4 nuts, 4 U-plates, 1 angle) made of steel



Flow Sensor/Transmitter For Pumps with TECHNOLOGIC® Drives

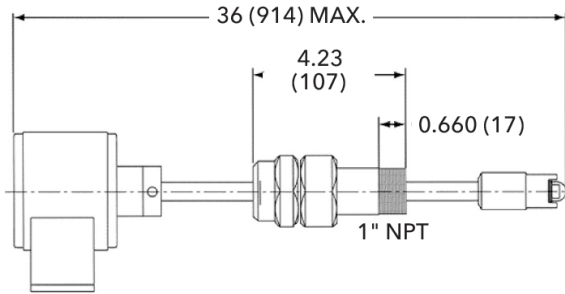
The rugged Bell & Gossett Flow Sensor/Transmitter precisely measures system flow and transmits a proportional 4 to 20 mA DC signal to the Technologic Controller for display or program calculations.

FEATURES

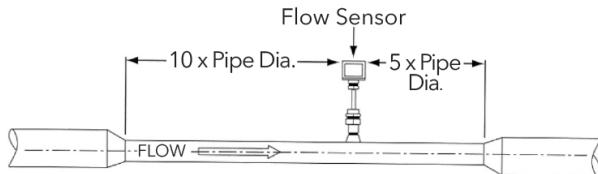
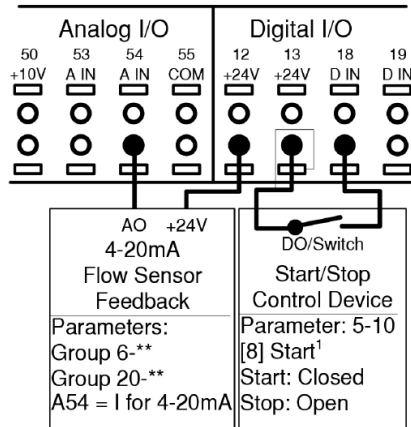
- Suitable for mounting in vertical pipe
- Suitable for mounting in horizontal pipe within 45° of top dead center
- Non-magnetically sensed, non-fouling paddle wheel
- NEMA 4X Transmitter Enclosure
- Maximum Pressure Ratings:
 - 1000 psi @ 100°F, 900 psi @ 200°F,
 - 750 psi @ 300°F (6895 kPa @ 38°C, 6205 kPa @ 93°C, 5171 kPa @ 149°C)
- Maximum Temperature Ratings:
 - Fluid - 300°F (149°C) continuous service
 - Electronics - 150°F (66°C)
- Optional software and cable available for field programming
- 9.9 lbs (4.5 kg) approximate weight

DIMENSIONAL INFORMATION

Dimensions in Inches (Millimeters)



TECHNOLOGIC ANALOG SENSOR WIRING



INSTALLATION CONSIDERATIONS

- Standard 18 AWG (1.194 mm dia.) gauge 3 wire shielded cable located in conduit separate from high voltage wiring
- 24 vdc power supplied from Technologic Controller
- Takes accurate readings and relays them to the Technologic Controller up to 2,000 ft. (610 m) away, when 10 pipe diameters upstream and 5 pipe diameters downstream of straight uninterrupted flow is present.

| CALIBRATION CHART | | |
|-------------------|------------|------------------------|
| B&G Part No. | Pipe Size | Max. Flow |
| 137411 | 3" Sch 40 | 250 gpm (16 l/sec) |
| 137412 | 4" Sch 40 | 400 gpm (25 l/sec) |
| 137413 | 6" Sch 40 | 850 gpm (54 l/sec) |
| 137414 | 8" Sch 40 | 1750 gpm (110 l/sec) |
| 137415 | 10" Sch 40 | 3150 gpm (199 l/sec) |
| 137416 | 12" Sch 40 | 5000 gpm (315 l/sec) |
| 137417 | 14" Sch 40 | 6400 gpm (404 l/sec) |
| 137418 | 16" Sch 40 | 9100 gpm (574 l/sec) |
| 137419 | 18" Sch 40 | 12400 gpm (782 l/sec) |
| 137420 | 20" Sch 40 | 16500 gpm (1041 l/sec) |

Consult factory for custom flow range calibration.