

## SERIES 4030 | END SUCTION BASE MOUNTED SPLIT COUPLED | 3 × 2 × 8 | SUBMITTAL

File No: 40.561  
Date: OCTOBER 15, 2013  
Supersedes: 40.561  
Date: JULY 10, 2013

Job: \_\_\_\_\_ Representative: \_\_\_\_\_

Order no.: \_\_\_\_\_ Date: \_\_\_\_\_

Engineer: \_\_\_\_\_ Submitted by: \_\_\_\_\_ Date: \_\_\_\_\_

Contractor: \_\_\_\_\_ Approved by: \_\_\_\_\_ Date: \_\_\_\_\_

### PUMP DESIGN DATA

No. of pumps: \_\_\_\_\_ Tag: \_\_\_\_\_  
Capacity: \_\_\_\_\_ USgpm (L/s) Head: \_\_\_\_\_ ft (m)  
Liquid: \_\_\_\_\_ Viscosity: \_\_\_\_\_  
Temperature: \_\_\_\_\_ °F (°C) Specific gravity: \_\_\_\_\_  
Suction: 3" (75mm) Flanged  
Discharge: 2" (50mm) Flanged

### MATERIALS OF CONSTRUCTION

ANSI FLANGE RATING	ANSI 125	ANSI 250
Construction	<input type="checkbox"/> BF	<input type="checkbox"/> DBF
Casing	Cast iron	Ductile iron

**Impeller:** Bronze

**Gasket:** Confined non-asbestos fiber

**Bearing frame:** Cast iron

**Anti-friction bearings:** Permanently lubricated

**Shaft:** Carbon steel

**Shaft sleeve:** Stainless steel

**Coupler:** Constant speed: Woods sure-flex or equal  
Variable speed: Woods dura-flex or equal

**Coupler guard:** Steel OSHA

**Baseplate:** Fabricated steel

### MECHANICAL SEAL DATA

**Seal type:** 2A      **Stationary seat:** Silicone carbide  
**Secondary seal:** EPDM      **Rotating hardware:** Stainless steel  
**Spring:** Stainless steel

### MOTOR DESIGN DATA

HP: \_\_\_\_\_ RPM: \_\_\_\_\_ Frame size: \_\_\_\_\_ Enclosure: \_\_\_\_\_  
Volts: \_\_\_\_\_ Hertz: 60 Hz      Phase: 3  
Efficiency\*:  NEMA premium 12.12       Other \_\_\_\_\_ %

\* Fractional power and frame 56 motors are supplied with the standard efficiency of the manufacturer.

### MAXIMUM PUMP OPERATING CONDITIONS

#### ANSI 125

175 psig at 150°F (12 bars at 65°C)  
140 psig at 250°F (10 bars at 121°C)

#### ANSI 250

300 psig at 150°F (20 bars at 65°C)  
250 psig at 250°F (17 bars at 121°C)

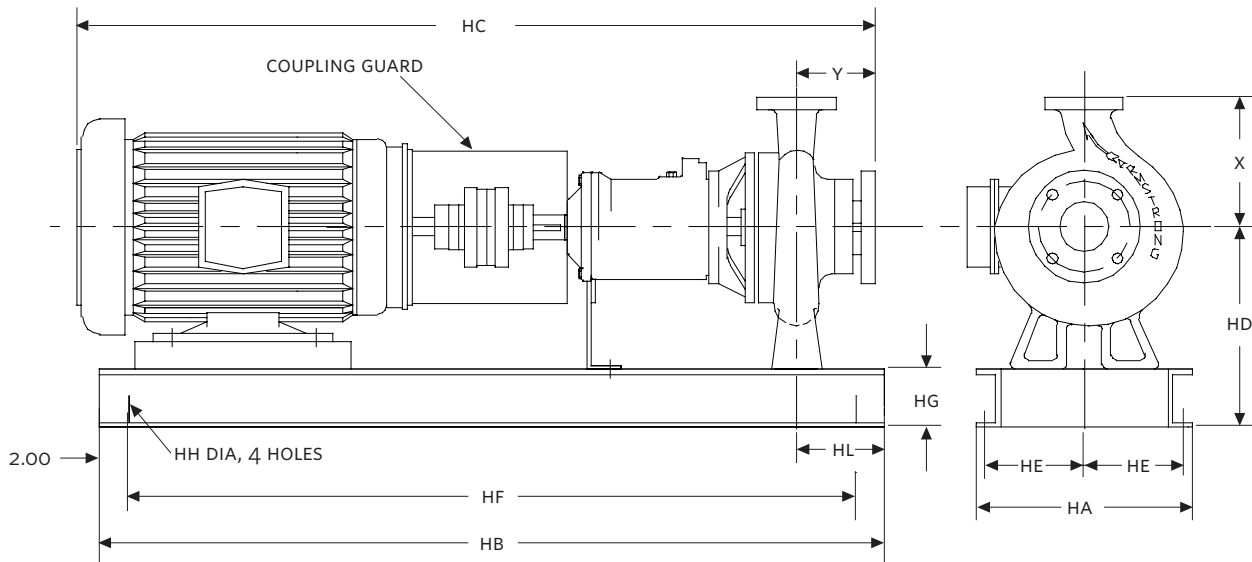
- Tolerance of ±0.125" (±3 mm) should be used
- See performance curves on page 3
- For exact installation, data please write factory for certified dimensions
- Pump equipped with casing drain plug and ¼" NPT suction and discharge gauge ports

### OPTIONAL EQUIPMENT

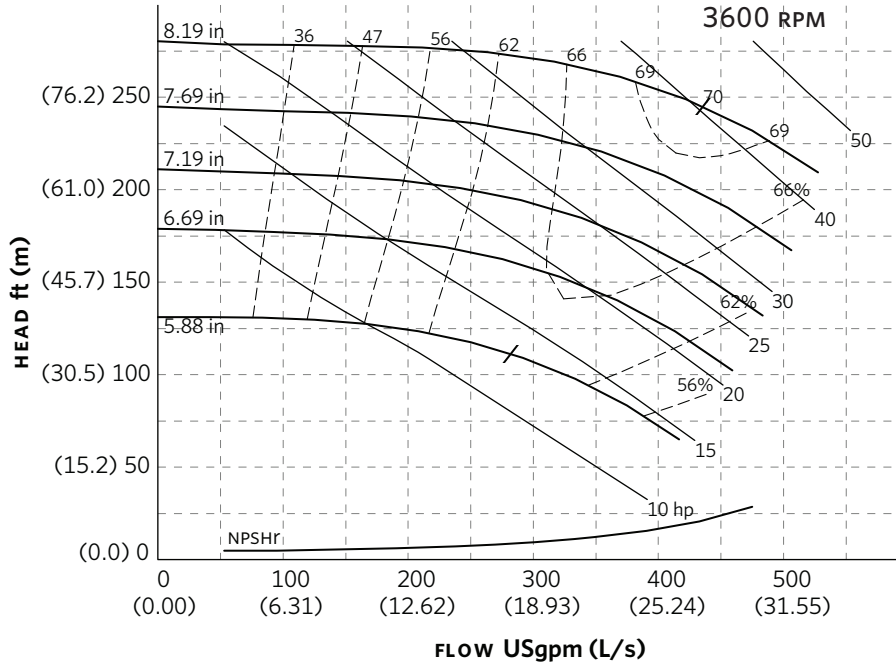
FLUID TYPE	ALL GLYCOLS > 30% WT CONC		ALL OTHER NON-POTABLE FLUIDS		POTABLE (DRINKING) WATER	
	up to 200°F (93°C)	over 200°F (93°C)	up to 200°F (93°C)	over 200°F (93°C)	up to 200°F (93°C)	over 200°F (93°C)
Rotating face	Silicone carbide		Resin bonded carbon	Antimony loaded carbon	Resin bonded carbon	
Seat elastomer	EPDM (L-cup)	EPDM (O-ring)	EPDM (L-cup)	EPDM (O-ring)	EPDM (L-cup)	EPDM (O-ring)
Material code	SCSc L EPSS 2A	SCSc O EPSS 2A	C-SC L EPSS 2A	ACSc O EPSS 2A	C-SC L EPSS 2A	C-SC O EPSS 2A

MOTOR FRAME	HORSEPOWER @ RPM				MAX. DIMENSIONS INCHES (mm)											MAX. ASSEMBLY WEIGHT*	
	3600		1800	1200	HA	HB	HC	HD	HE	HF	HG	HH	HL	X	Y	ODP	TEFC
	ODP	TEFC															
56C	—	—	—	0.5	14.00 (356)	30.00 (762)	26.41 (671)	10.25 (260)	6.38 (162)	26.00 (660)	3.00 (76)	0.75 (19)	4.50 (114)	9.50 (241)	4.00 (102)	144 (65.3)	144 (65.3)
143TC	—	—	—	0.75	14.00 (356)	30.00 (762)	28.06 (713)	10.25 (260)	6.38 (162)	26.00 (660)	3.00 (76)	0.75 (19)	4.50 (114)	9.50 (241)	4.00 (102)	154 (69.9)	154 (69.9)
145TC	—	—	1.5 & 2	1	14.00 (356)	30.00 (762)	28.06 (713)	10.25 (260)	6.38 (162)	26.00 (660)	3.00 (76)	0.75 (19)	4.50 (114)	9.50 (241)	4.00 (102)	154 (69.9)	154 (69.9)
182TC	—	—	3	1.5	14.00 (356)	30.00 (762)	30.76 (781)	10.25 (260)	6.38 (162)	26.00 (660)	3.00 (76)	0.75 (19)	4.50 (114)	9.50 (241)	4.00 (102)	179 (81.2)	179 (81.2)
184TC	—	—	5	—	14.00 (356)	30.00 (762)	30.76 (781)	10.25 (260)	6.38 (162)	26.00 (660)	3.00 (76)	0.75 (19)	4.50 (114)	9.50 (241)	4.00 (102)	189 (85.7)	189 (85.7)
215TC	15	—	—	—	14.00 (356)	33.00 (838)	34.43 (875)	10.25 (260)	6.38 (162)	29.00 (737)	3.00 (76)	0.75 (19)	4.50 (114)	9.50 (241)	4.00 (102)	309 (140.2)	309 (140.2)
254TC	20	15	—	—	16.00 (406)	40.00 (1016)	40.41 (1026)	10.25 (260)	7.38 (187)	36.00 (914)	3.00 (76)	0.75 (19)	4.50 (114)	9.50 (241)	4.00 (102)	309 (140.2)	309 (140.2)
256TC	25	20	—	—	16.00 (406)	40.00 (1016)	40.41 (1026)	10.25 (260)	7.38 (187)	36.00 (914)	3.00 (76)	0.75 (19)	4.50 (114)	9.50 (241)	4.00 (102)	329 (149.2)	329 (149.2)
284TSC	30	25	—	—	19.00 (483)	48.00 (1219)	45.04 (1144)	12.25 (311)	8.88 (225)	44.00 (1118)	4.00 (102)	0.75 (19)	4.50 (114)	9.50 (241)	4.00 (102)	399 (181.0)	399 (181.0)
286TSC	40	30	—	—	19.00 (483)	48.00 (1219)	45.04 (1144)	12.25 (311)	8.88 (225)	44.00 (1118)	4.00 (102)	0.75 (19)	4.50 (114)	9.50 (241)	4.00 (102)	459 (208.2)	469 (212.7)
324TSC	50	40	—	—	19.00 (483)	48.00 (1219)	47.96 (1218)	12.25 (311)	8.88 (225)	44.00 (1118)	4.00 (102)	0.75 (19)	4.50 (114)	9.50 (241)	4.00 (102)	554 (251.3)	699 (317.1)
326TSC	—	50	—	—	19.00 (483)	48.00 (1219)	47.96 (1218)	12.25 (311)	8.88 (225)	44.00 (1118)	4.00 (102)	0.75 (19)	4.50 (114)	9.50 (241)	4.00 (102)	—	779 (353.3)

\*Assembly weight combines pump and motor.



**SERIES 4030 PERFORMANCE CURVES**



**Curve number**  
PT65-3-0-3600

**Series**  
4030  
4280

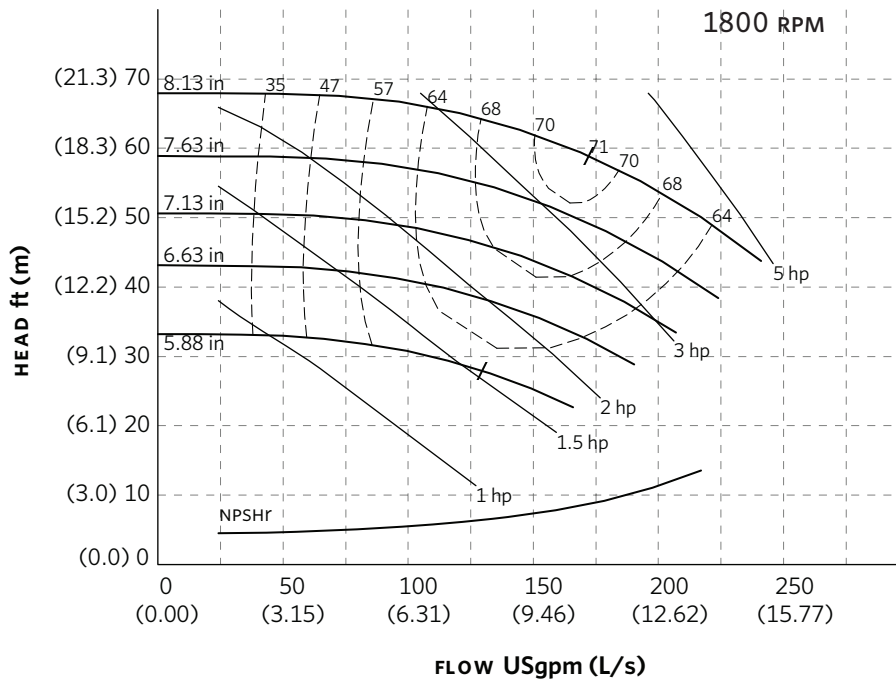
**Size**  
3 × 2 × 8

**RPM**  
3600

BHP based on shown  
Fluid's sp. gr.

**Availability**  
4030 all ratings  
4280 all ratings

Performance  
guaranteed only  
at operating point  
indicated.  
Curve shown for  
clear, cold water  
- SP. GR. 1.0000



**Curve number**  
PT64-2-0-1800

**Series**  
4030  
4280

**Size**  
3 × 2 × 8

**RPM**  
1800

BHP based on shown  
Fluid's sp. gr.

**Availability**  
4030 all ratings  
4280 all ratings

Performance  
guaranteed only  
at operating point  
indicated.  
Curve shown for  
clear, cold water  
- SP. GR. 1.0000

Performance curves are for reference only.  
Confirm current performance data with Armstrong ACE Online selection software.

**TORONTO**

23 BERTRAND AVENUE  
TORONTO, ONTARIO  
CANADA  
M1L 2P3  
+1 416 755 2291

**BUFFALO**

93 EAST AVENUE  
NORTH TONAWANDA, NEW YORK  
U.S.A.  
14120-6594  
+1 716 693 8813

**BIRMINGHAM**

HEYWOOD WHARF, MUCKLOW HILL  
HALESOWEN, WEST MIDLANDS  
UNITED KINGDOM  
B62 8DJ  
+44 (0) 8444 145 145

**MANCHESTER**

WENLOCK WAY  
MANCHESTER  
UNITED KINGDOM  
M12 5JL  
+44 (0) 8444 145 145

**BANGALORE**

#59, FIRST FLOOR, 3RD MAIN  
MARGOSA ROAD, MALLESWARAM  
BANGALORE, INDIA  
560 003  
+91 (0) 80 4906 3555

**SHANGHAI**

NO. 1619 HU HANG ROAD, XI DU TOWNSHIP  
FENG XIAN DISTRICT, SHANGHAI  
P.R.C.  
201401  
+86 21 3756 6696

**MAKING  
ENERGY  
MAKE  
SENSE™**