

## SERIES 4030 | END SUCTION BASE MOUNTED SPLIT COUPLED | 3 × 2 × 6 | SUBMITTAL

File No: 40.52  
Date: OCTOBER 15, 2013  
Supersedes: 40.52  
Date: JULY 10, 2013

Job: \_\_\_\_\_ Representative: \_\_\_\_\_

Order no.: \_\_\_\_\_ Date: \_\_\_\_\_

Engineer: \_\_\_\_\_ Submitted by: \_\_\_\_\_ Date: \_\_\_\_\_

Contractor: \_\_\_\_\_ Approved by: \_\_\_\_\_ Date: \_\_\_\_\_

### PUMP DESIGN DATA

No. of pumps: \_\_\_\_\_ Tag: \_\_\_\_\_  
Capacity: \_\_\_\_\_ USgpm (L/s) Head: \_\_\_\_\_ ft (m)  
Liquid: \_\_\_\_\_ Viscosity: \_\_\_\_\_  
Temperature: \_\_\_\_\_ °F (°C) Specific gravity: \_\_\_\_\_  
Suction: 3" (75mm) Flanged  
Discharge: 2" (50mm) Flanged

### MATERIALS OF CONSTRUCTION

ANSI FLANGE RATING	ANSI 125	ANSI 250
Construction	<input type="checkbox"/> BF	<input type="checkbox"/> DBF
Casing	Cast iron	Ductile iron

**Impeller:** Bronze  
**Gasket:** Confined non-asbestos fiber  
**Bearing frame:** Cast iron  
**Anti-friction bearings:** Permanently lubricated  
**Shaft:** Carbon steel  
**Shaft sleeve:** Stainless steel  
**Coupler:** Constant speed: Woods sure-flex or equal  
Variable speed: Woods dura-flex or equal  
**Coupler guard:** Steel OSHA  
**Baseplate:** Fabricated steel

### MECHANICAL SEAL DATA

**Seal type:** 2A      **Stationary seat:** Silicone carbide  
**Secondary seal:** EPDM      **Rotating hardware:** Stainless steel  
**Spring:** Stainless steel

FLUID TYPE	ALL GLYCOLS > 30% WT CONC		ALL OTHER NON-POTABLE FLUIDS		POTABLE (DRINKING) WATER	
	up to 200°F (93°C)	over 200°F (93°C)	up to 200°F (93°C)	over 200°F (93°C)	up to 200°F (93°C)	over 200°F (93°C)
Temperature	up to 200°F (93°C)	over 200°F (93°C)	up to 200°F (93°C)	over 200°F (93°C)	up to 200°F (93°C)	over 200°F (93°C)
Rotating face	Silicone carbide		Resin bonded carbon	Antimony loaded carbon	Resin bonded carbon	
Seat elastomer	EPDM (L-cup)	EPDM (O-ring)	EPDM (L-cup)	EPDM (O-ring)	EPDM (L-cup)	EPDM (O-ring)
Material code	SCSc L EPSS 2A	SCSc O EPSS 2A	C-SC L EPSS 2A	ACSc O EPSS 2A	C-SC L EPSS 2A	C-SC O EPSS 2A

### MOTOR DESIGN DATA

HP: \_\_\_\_\_ RPM: \_\_\_\_\_ Frame size: \_\_\_\_\_ Enclosure: \_\_\_\_\_  
Volts: \_\_\_\_\_ Hertz: 60 Hz Phase: 3  
Efficiency\*:  NEMA premium 12.12     Other \_\_\_\_\_ %

\* Fractional power and frame 56 motors are supplied with the standard efficiency of the manufacturer.

### MAXIMUM PUMP OPERATING CONDITIONS

#### ANSI 125

175 psig at 150°F (12 bars at 65°C)  
140 psig at 250°F (10 bars at 121°C)

#### ANSI 250

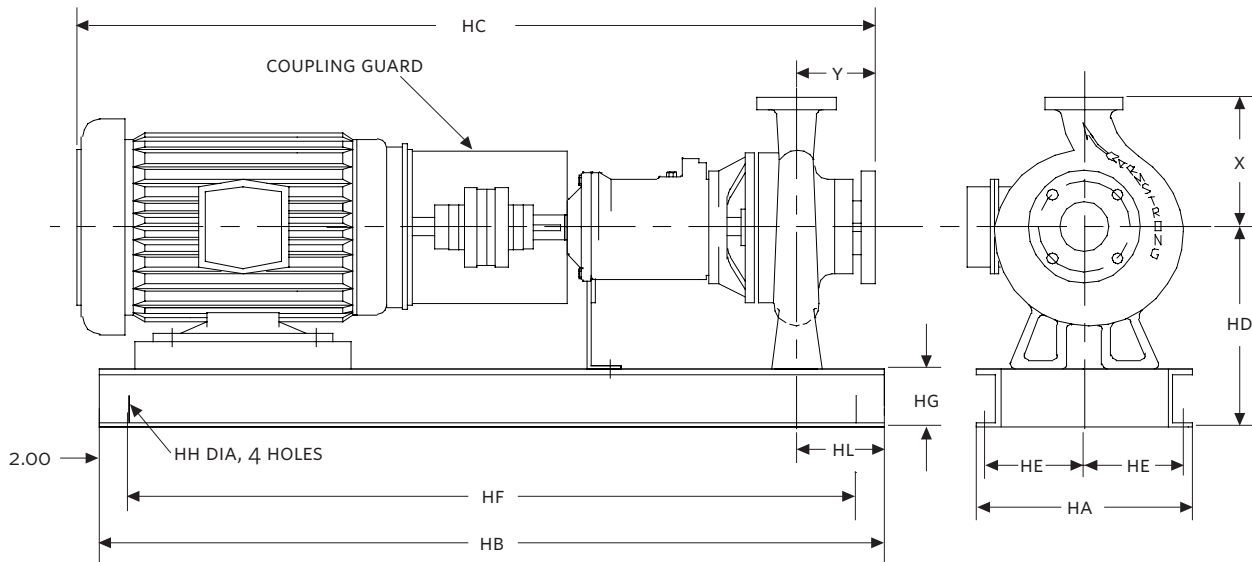
300 psig at 150°F (20 bars at 65°C)  
250 psig at 250°F (17 bars at 121°C)

- Tolerance of ±0.125" (±3 mm) should be used
- See performance curves on page 3
- For exact installation, data please write factory for certified dimensions
- Pump equipped with casing drain plug and ¼" NPT suction and discharge gauge ports

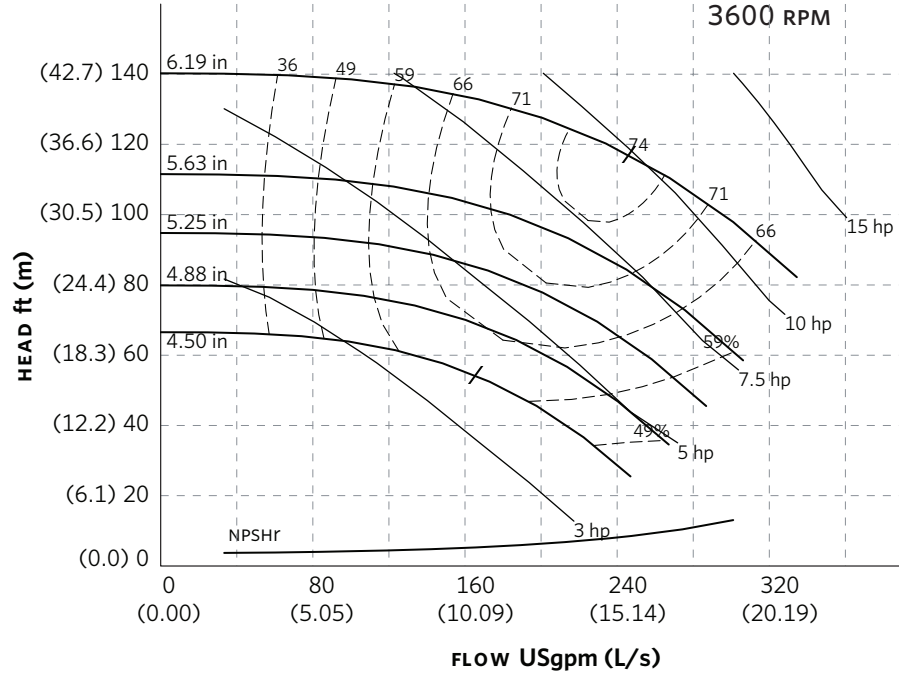
### OPTIONAL EQUIPMENT

MOTOR	HORSEPOWER @ RPM				MAX. DIMENSIONS INCHES (mm)											MAX. ASSEMBLY WEIGHT*
	3600		1800	1200	HA	HB	HC	HD	HE	HF	HG	HH	HL	X	Y	
FRAME	ODP	TEFC														
56C	—	—	0.5-0.75	0.33-0.5	14.00 (356)	30.00 (762)	26.38 (670)	9.25 (235)	6.38 (162)	26.00 (660)	3.00 (76)	0.75 (19)	4.50 (114)	8.25 (210)	4.00 (102)	118 (53.6)
143TC	—	—	1	—	14.00 (356)	30.00 (762)	28.03 (712)	9.25 (235)	6.38 (162)	26.00 (660)	3.00 (76)	0.75 (19)	4.50 (114)	8.25 (210)	4.00 (102)	126 (57.2)
145TC	3	—	1.5	—	14.00 (356)	30.00 (762)	28.03 (712)	9.25 (235)	6.38 (162)	26.00 (660)	3.00 (76)	0.75 (19)	4.50 (114)	8.25 (210)	4.00 (102)	126 (57.2)
182TC	5	3	—	—	14.00 (356)	30.00 (762)	30.73 (781)	9.25 (235)	6.38 (162)	26.00 (660)	3.00 (76)	0.75 (19)	4.50 (114)	8.25 (210)	4.00 (102)	151 (68.6)
184TC	7.5	5	—	—	14.00 (356)	30.00 (762)	30.73 (781)	9.25 (235)	6.38 (162)	26.00 (660)	3.00 (76)	0.75 (19)	4.50 (114)	8.25 (210)	4.00 (102)	161 (73.1)
213TC	10	7.5	—	—	14.00 (356)	33.00 (838)	34.40 (874)	9.25 (235)	6.38 (162)	29.00 (737)	3.00 (76)	0.75 (19)	4.50 (114)	8.25 (210)	4.00 (102)	196 (89.0)
215TC	15	10	—	—	14.00 (356)	33.00 (838)	34.40 (874)	9.25 (235)	6.38 (162)	29.00 (737)	3.00 (76)	0.75 (19)	4.50 (114)	8.25 (210)	4.00 (102)	211 (95.8)

\*Assembly weight combines pump and motor.



**SERIES 4030 PERFORMANCE CURVES**



**Curve number**  
PT63-1-0-3600

**Series**  
4030  
4280

**Size**  
3 × 2 × 6

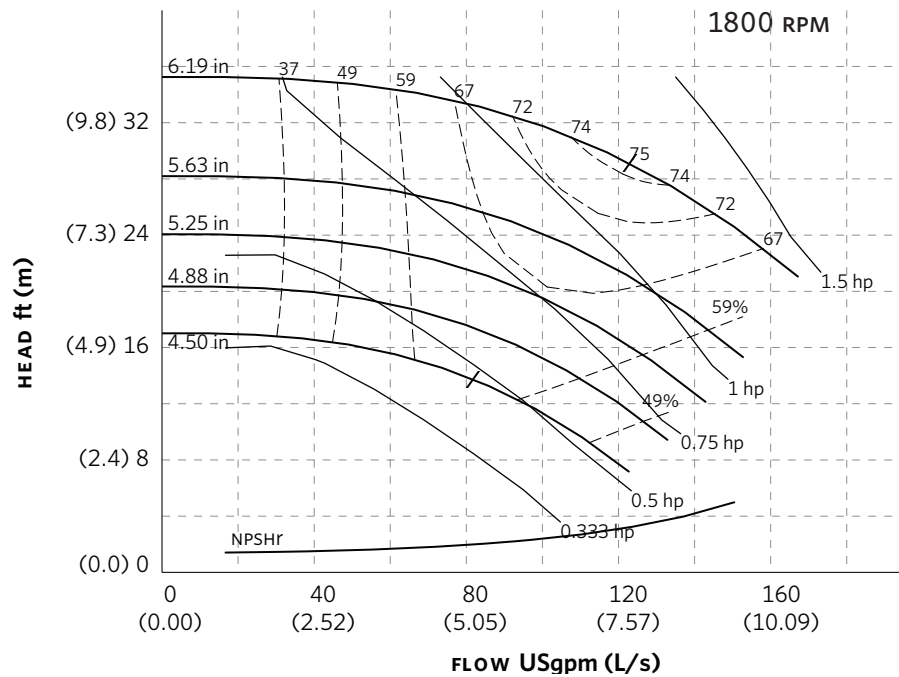
**RPM**  
3600

BHP based on shown  
Fluid's sp. gr.

**Availability**  
4030 all ratings  
4280 all ratings

Performance  
guaranteed only  
at operating point  
indicated.

Curve shown for  
clear, cold water  
- SP. GR. 1.0000



**Curve number**  
PT62-1-0-1800

**Series**  
4030  
4280

**Size**  
3 × 2 × 6

**RPM**  
1800

BHP based on shown  
Fluid's sp. gr.

**Availability**  
4030 all ratings  
4280 FR 143 MIN.

Performance  
guaranteed only  
at operating point  
indicated.

Curve shown for  
clear, cold water  
- SP. GR. 1.0000

Performance curves are for reference only.  
Confirm current performance data with Armstrong ACE Online selection software.

**TORONTO**

23 BERTRAND AVENUE  
TORONTO, ONTARIO  
CANADA  
M1L 2P3  
+1 416 755 2291

**BUFFALO**

93 EAST AVENUE  
NORTH TONAWANDA, NEW YORK  
U.S.A.  
14120-6594  
+1 716 693 8813

**BIRMINGHAM**

HEYWOOD WHARF, MUCKLOW HILL  
HALESOWEN, WEST MIDLANDS  
UNITED KINGDOM  
B62 8DJ  
+44 (0) 8444 145 145

**MANCHESTER**

WENLOCK WAY  
MANCHESTER  
UNITED KINGDOM  
M12 5JL  
+44 (0) 8444 145 145

**BANGALORE**

#59, FIRST FLOOR, 3RD MAIN  
MARGOSA ROAD, MALLESWARAM  
BANGALORE, INDIA  
560 003  
+91 (0) 80 4906 3555

**SHANGHAI**

NO. 1619 HU HANG ROAD, XI DU TOWNSHIP  
FENG XIAN DISTRICT, SHANGHAI  
P.R.C.  
201401  
+86 21 3756 6696

**MAKING  
ENERGY  
MAKE  
SENSE™**