

## SERIES 4030 | END SUCTION BASE MOUNTED SPLIT COUPLED | 3 × 2 × 13 | SUBMITTAL

File No: 40.73  
Date: OCTOBER 15, 2013  
Supersedes: 40.73  
Date: JULY 10, 2013

Job: \_\_\_\_\_ Representative: \_\_\_\_\_

Order no.: \_\_\_\_\_ Date: \_\_\_\_\_

Engineer: \_\_\_\_\_ Submitted by: \_\_\_\_\_ Date: \_\_\_\_\_

Contractor: \_\_\_\_\_ Approved by: \_\_\_\_\_ Date: \_\_\_\_\_

### PUMP DESIGN DATA

No. of pumps: \_\_\_\_\_ Tag: \_\_\_\_\_  
Capacity: \_\_\_\_\_ USgpm (L/s) Head: \_\_\_\_\_ ft (m)  
Liquid: \_\_\_\_\_ Viscosity: \_\_\_\_\_  
Temperature: \_\_\_\_\_ °F (°C) Specific gravity: \_\_\_\_\_  
Suction: 3"(75mm) Lugged  
Discharge: 2"(50mm) Flanged

### MATERIALS OF CONSTRUCTION

ANSI FLANGE RATING	ANSI 125	ANSI 250
Construction	<input type="checkbox"/> BF	<input type="checkbox"/> DBF
Casing	Cast iron	Ductile iron

**Impeller:** Bronze  
**Gasket:** Confined non-asbestos fiber  
**Bearing frame:** Cast iron  
**Anti-friction bearings:** Permanently lubricated  
**Shaft:** Carbon steel  
**Shaft sleeve:** Stainless steel  
**Coupler:** Constant speed: Woods sure-flex or equal  
Variable speed: Woods dura-flex or equal  
**Coupler guard:** Steel OSHA  
**Baseplate:** Fabricated steel

### MECHANICAL SEAL DATA

**Seal type:** 2A      **Stationary seat:** Silicone carbide  
**Secondary seal:** EPDM      **Rotating hardware:** Stainless steel  
**Spring:** Stainless steel

FLUID TYPE	ALL GLYCOLS > 30% WT CONC		ALL OTHER NON-POTABLE FLUIDS		POTABLE (DRINKING) WATER	
	up to 200°F (93°C)	over 200°F (93°C)	up to 200°F (93°C)	over 200°F (93°C)	up to 200°F (93°C)	over 200°F (93°C)
Temperature	up to 200°F (93°C)	over 200°F (93°C)	up to 200°F (93°C)	over 200°F (93°C)	up to 200°F (93°C)	over 200°F (93°C)
Rotating face	Silicone carbide		Resin bonded carbon	Antimony loaded carbon	Resin bonded carbon	
Seat elastomer	EPDM (L-cup)	EPDM (O-ring)	EPDM (L-cup)	EPDM (O-ring)	EPDM (L-cup)	EPDM (O-ring)
Material code	SCSc L EPSS 2A	SCSc O EPSS 2A	C-Sc L EPSS 2A	ACSc O EPSS 2A	C-Sc L EPSS 2A	C-Sc O EPSS 2A

### MOTOR DESIGN DATA

HP: \_\_\_\_\_ RPM: \_\_\_\_\_ Frame size: \_\_\_\_\_ Enclosure: \_\_\_\_\_  
Volts: \_\_\_\_\_ Hertz: 60 Hz Phase: 3  
Efficiency\*:  NEMA premium 12.12  Other \_\_\_\_\_ %

\* Fractional power and frame 56 motors are supplied with the standard efficiency of the manufacturer.

### MAXIMUM PUMP OPERATING CONDITIONS

#### ANSI 125

175 psig at 150°F (12 bars at 65°C)  
140 psig at 250°F (10 bars at 121°C)

#### ANSI 250

300 psig at 150°F (20 bars at 65°C)  
250 psig at 250°F (17 bars at 121°C)

- Tolerance of ±0.125" (±3 mm) should be used
- See performance curves on page 3
- For exact installation, data please write factory for certified dimensions
- Pump equipped with casing drain plug and ¼" NPT suction and discharge gauge ports

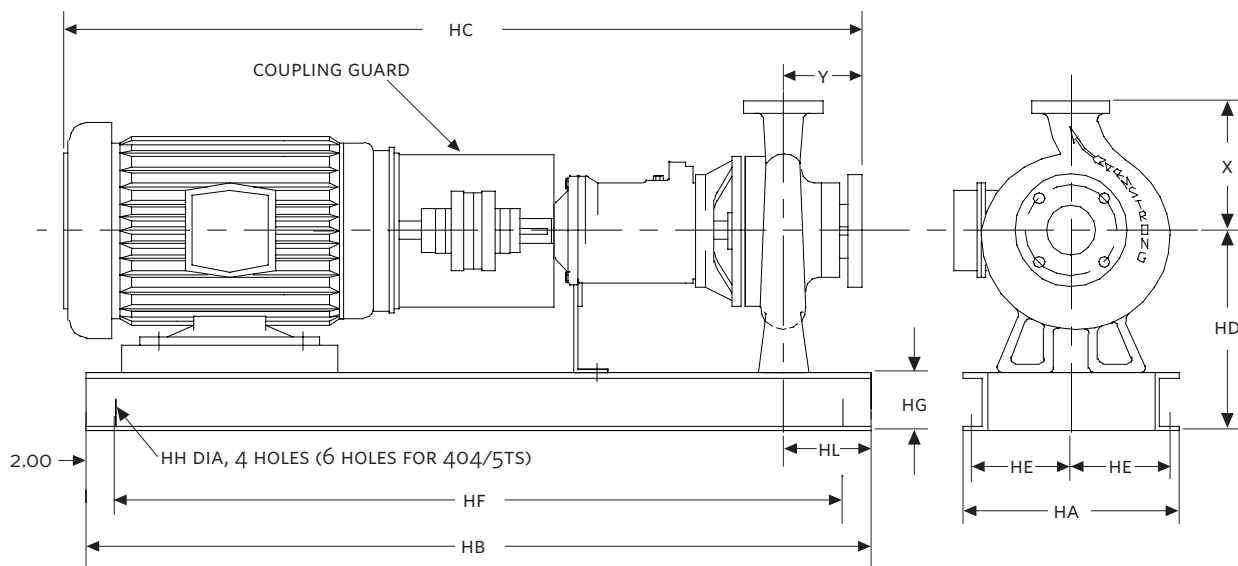
### OPTIONAL EQUIPMENT

MOTOR	HORSEPOWER @ RPM		MAX. DIMENSIONS INCHES (mm)												MAX. ASSEMBLY WEIGHT*		
	3600		1800	1200	HA	HB	HC	HD	HE	HF**	HG	HH	HL	X	Y	lbs (kgs)	
FRAME	ODP	TEFC														ODP	TEFC
213TC	—	—	7.5	3	16.00 (406)	45.00 (1143)	37.55 (954)	13.00 (330)	7.38 (187)	41.00 (1041)	3.00 (76)	0.75 (19)	4.50 (114)	11.50 (292)	4.00 (102)	345 (156.5)	360 (163.3)
215TC	—	—	10	5	16.00 (406)	45.00 (1143)	37.55 (954)	13.00 (330)	7.38 (187)	41.00 (1041)	3.00 (76)	0.75 (19)	4.50 (114)	11.50 (292)	4.00 (102)	355 (161.0)	375 (170.1)
254TC	—	—	15	7.5	16.00 (406)	45.00 (1143)	43.51 (1105)	13.00 (330)	7.38 (187)	41.00 (1041)	3.00 (76)	0.75 (19)	4.50 (114)	11.50 (292)	4.00 (102)	405 (183.7)	445 (201.8)
256TC	—	—	20	—	16.00 (406)	45.00 (1143)	43.51 (1105)	13.00 (330)	7.38 (187)	41.00 (1041)	3.00 (76)	0.75 (19)	4.50 (114)	11.50 (292)	4.00 (102)	415 (188.2)	485 (220.0)
284TC	—	—	25	—	19.00 (483)	48.00 (1219)	44.50 (1130)	14.00 (356)	8.88 (225)	44.00 (1118)	4.00 (102)	0.75 (19)	4.50 (114)	11.50 (292)	4.00 (102)	465 (210.9)	505 (229.1)
324TSC†	50	—	—	—	19.00 (483)	48.00 (1219)	47.92 (1217)	14.00 (356)	8.88 (225)	44.00 (1118)	4.00 (102)	0.75 (19)	4.50 (114)	11.50 (292)	4.00 (102)	640 (290.3)	—
326TSC†	60	50	—	—	19.00 (483)	48.00 (1219)	47.92 (1217)	14.00 (356)	8.88 (225)	44.00 (1118)	4.00 (102)	0.75 (19)	4.50 (114)	11.50 (292)	4.00 (102)	670 (303.9)	865 (392.4)
364TSC†	75	60	—	—	19.00 (483)	48.00 (1219)	49.51 (1258)	15.50 (394)	8.88 (225)	44.00 (1118)	4.00 (102)	0.75 (19)	4.50 (114)	11.50 (292)	4.00 (102)	835 (378.7)	975 (442.3)
365TSC†	100	75	—	—	19.00 (483)	48.00 (1219)	49.51 (1258)	15.50 (394)	8.88 (225)	44.00 (1118)	4.00 (102)	0.75 (19)	4.50 (114)	11.50 (292)	4.00 (102)	855 (387.8)	1015 (460.4)
404TSC**†	125	—	—	—	19.00 (483)	58.00 (1473)	53.49 (1359)	15.50 (394)	8.88 (225)	27.00 (686)	4.00 (102)	0.75 (19)	4.50 (114)	11.50 (292)	4.00 (102)	1005 (455.9)	—
405TSC**†	—	100	—	—	19.00 (483)	58.00 (1473)	53.49 (1359)	15.50 (394)	8.88 (225)	27.00 (686)	4.00 (102)	0.75 (19)	4.50 (114)	11.50 (292)	4.00 (102)	—	1380 (626.0)

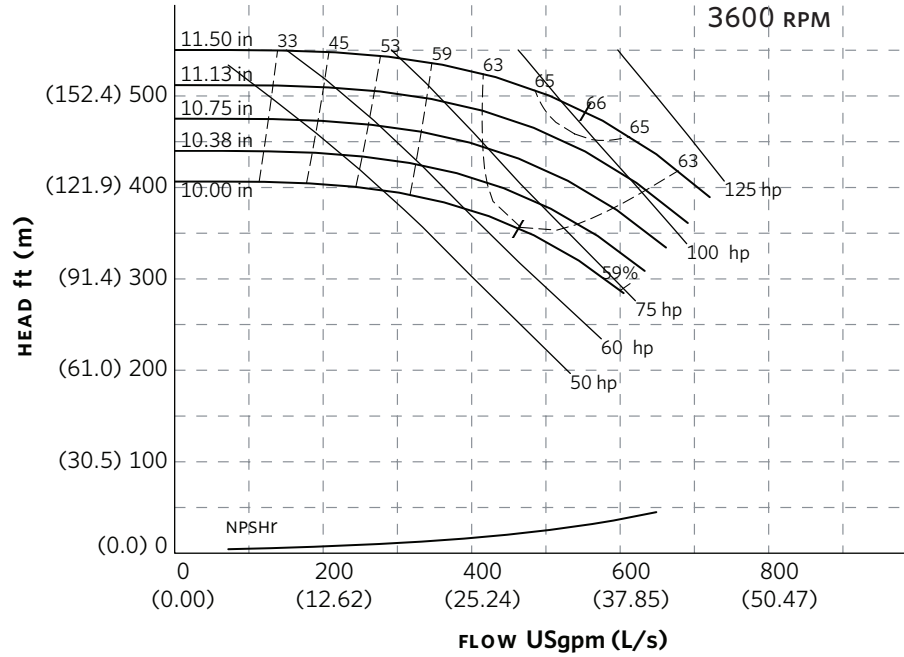
\*Assembly weight combines pump and motor.

†Re-greasable ball bearings on pumps for frame sizes indicated.

\*\*4030 3 × 2 × 13 404TS & 405TS are supplied with a 6-hole (equidistant on HF) base.



**SERIES 4030 PERFORMANCE CURVES**



**Curve number**  
PT176-3-2-3600

**Series**  
4030  
4280

**Size**  
3 × 2 × 13

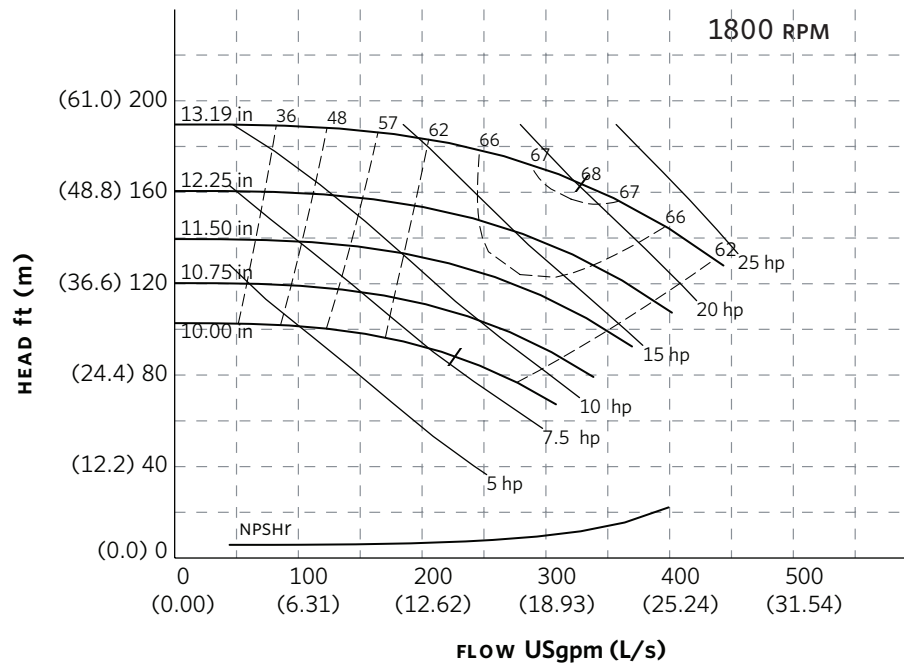
**RPM**  
3600

BHP based on shown  
Fluid's sp. gr.

**Availability**  
4030 FR 405 MAX.  
4280 all ratings

Performance  
guaranteed only  
at operating point  
indicated.

Curve shown for  
clear, cold water  
- SP. GR. 1.0000



**Curve number**  
PT175-3-0-1800

**Series**  
4030  
4280

**Size**  
3 × 2 × 13

**RPM**  
1800

BHP based on shown  
Fluid's sp. gr.

**Availability**  
4030 FR 213 MIN.  
4280 FR 213 MIN.

Performance  
guaranteed only  
at operating point  
indicated.

Curve shown for  
clear, cold water  
- SP. GR. 1.0000

Performance curves are for reference only.  
Confirm current performance data with Armstrong ACE Online selection software.

**TORONTO**

23 BERTRAND AVENUE  
TORONTO, ONTARIO  
CANADA  
M1L 2P3  
+1 416 755 2291

**BUFFALO**

93 EAST AVENUE  
NORTH TONAWANDA, NEW YORK  
U.S.A.  
14120-6594  
+1 716 693 8813

**BIRMINGHAM**

HEYWOOD WHARF, MUCKLOW HILL  
HALESOWEN, WEST MIDLANDS  
UNITED KINGDOM  
B62 8DJ  
+44 (0) 8444 145 145

**MANCHESTER**

WENLOCK WAY  
MANCHESTER  
UNITED KINGDOM  
M12 5JL  
+44 (0) 8444 145 145

**BANGALORE**

#59, FIRST FLOOR, 3RD MAIN  
MARGOSA ROAD, MALLESWARAM  
BANGALORE, INDIA  
560 003  
+91 (0) 80 4906 3555

**SHANGHAI**

NO. 1619 HU HANG ROAD, XI DU TOWNSHIP  
FENG XIAN DISTRICT, SHANGHAI  
P.R.C.  
201401  
+86 21 3756 6696

**MAKING  
ENERGY  
MAKE  
SENSE™**