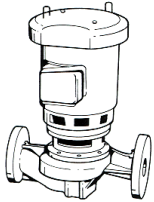


<b>JOB:</b>   <b>UNIT TAG:</b> <b>ENGINEER:</b> <b>CONTRACTOR:</b>	<b>REPRESENTATIVE:</b>   <b>ORDER NO.:</b> <b>SUBMITTED BY:</b> <b>APPROVED BY:</b>	<b>DATE:</b> <b>DATE:</b> <b>DATE:</b>
---	--	--



## 3x3x9<sup>1</sup>/<sub>2</sub>B

### Series 80<sup>®</sup>

#### In-Line Mounted Centrifugal Pumps

**SPECIFICATIONS**

FLOW \_\_\_\_\_ HEAD \_\_\_\_\_

HP \_\_\_\_\_ RPM \_\_\_\_\_

VOLTS \_\_\_\_\_

CYCLE \_\_\_\_\_ PHASE \_\_\_\_\_

ENCLOSURE \_\_\_\_\_

APPROX. WEIGHT \_\_\_\_\_

SPECIALS \_\_\_\_\_

**MATERIALS OF CONSTRUCTION**

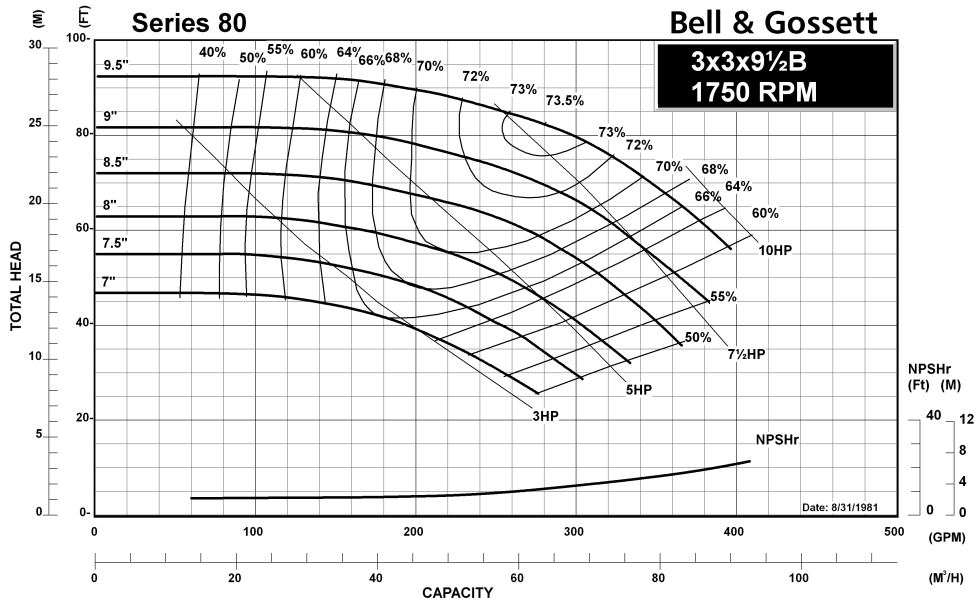
BRONZE FITTED     ALL IRON

**MAXIMUM WORKING PRESSURE**

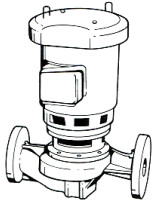
- 175 psi (12 bar) W.P. with 125# ANSI flange drilling
- 250 psi (17 bar) W.P. with 250# ANSI flange drilling (requires 80-S)
- 300 psi (21 bar) W.P. with 250# ANSI flange drilling (EPR-Sintered Silicon Carbide-Sintered Silicon Carbide) Requires 80-S

**TYPE OF SEAL**

- 80 Standard Seal (Buna-Carbon/Ceramic)
- 80 -F Standard Seal w/ Flush Line (Buna-Carbon/Ceramic)
- 80 -S Stuffing Box construction w/ Flushed Mechanical Single Seal (EPR-Tungsten Carbide/Carbon)
- 80 -D Stuffing Box construction w/ Flushed Double Mechanical Seal (EPR-Carbon/Ceramic) Requires external water source
- 80 -PF Stuffing Box Construction w/ Flushed Packing (Graphite Impregnated PTFE)



<b>JOB:</b>	<b>REPRESENTATIVE:</b>	
<b>UNIT TAG:</b>	<b>ORDER NO.</b>	<b>DATE:</b>
<b>ENGINEER:</b>	<b>SUBMITTED BY:</b>	<b>DATE:</b>
<b>CONTRACTOR:</b>	<b>APPROVED BY:</b>	<b>DATE:</b>



## 3x3x9<sup>1</sup>/<sub>2</sub>B Series 80<sup>®</sup> In-Line Mounted Centrifugal Pumps

**SPECIFICATIONS**

FLOW \_\_\_\_\_ HEAD \_\_\_\_\_  
 HP \_\_\_\_\_ RPM \_\_\_\_\_  
 VOLTS \_\_\_\_\_  
 CYCLE \_\_\_\_\_ PHASE \_\_\_\_\_  
 ENCLOSURE \_\_\_\_\_  
 APPROX. WEIGHT \_\_\_\_\_  
 SPECIALS \_\_\_\_\_  
 \_\_\_\_\_

**MATERIALS OF CONSTRUCTION**

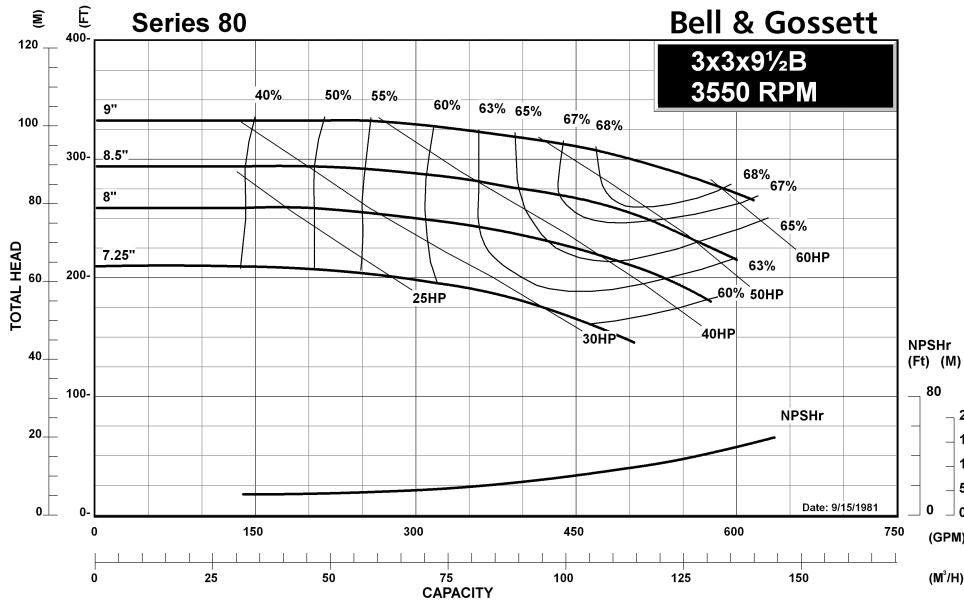
BRONZE FITTED     ALL IRON

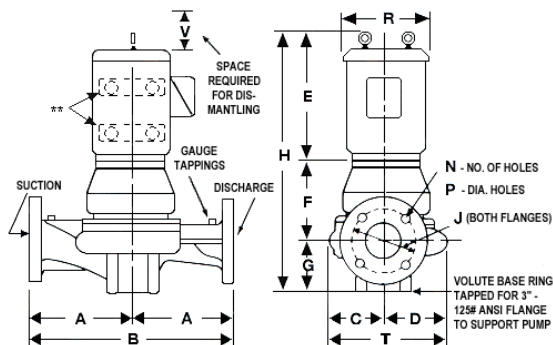
**MAXIMUM WORKING PRESSURE**

- 175 psi (12 bar) W.P. with 125# ANSI flange drilling
- 250 psi (17 bar) W.P. with 250# ANSI flange drilling (requires 80-S)
- 300 psi (21 bar) W.P. with 250# ANSI flange drilling (EPR-Sintered Silicon Carbide-Sintered Silicon Carbide) Requires 80-S

**TYPE OF SEAL**

- 80 Standard Seal (Buna-Carbon/Ceramic)
- 80 -F Standard Seal w/ Flush Line (Buna-Carbon/Ceramic)
- 80 -S Stuffing Box construction w/ Flushed Mechanical Single Seal (EPR-Tungsten Carbide/Carbon)
- 80 -D Stuffing Box construction w/ Flushed Double Mechanical Seal (EPR-Carbon/Ceramic) Requires external water source
- 80 -PF Stuffing Box Construction w/ Flushed Packing (Graphite Impregnated PTFE)





FLANGE DIMENSIONS IN INCHES (MM)			
	SIZE	THICKNESS	O.D.
Discharge	3"	1-1/8 (29)	8 (203)
Suction	3"	1-1/8 (29)	8 (203)

\*\* Motor may be supplied with feet

DIMENSIONS – Inches (mm)

STANDARD SEAL 80, 80-F

MOTOR FRAME	A	B	C	D	E (Max)	F	G	H (Max)	125# ANSI			250# ANSI			R	S (MAX)*	T	V (Min)
									J	N	P	J	N	P				
184	11-1/2 (292)	23 (584)	6-5/8 (168)	7-1/2 (190)	15-3/8 (391)	4-13/16 (122)	6-1/8 (156)	26-1/4 (667)	6 (152)	4	3/4 (19)	6-5/8 (168)	8	7/8 (22)	11-3/4 (298)	5/16 (8)	14-1/8 (359)	4-1/2 (114)
213	11-1/2 (292)	23 (584)	6-5/8 (168)	7-1/2 (190)	19-1/4 (489)	4-13/16 (122)	6-1/8 (156)	30-1/4 (768)	6 (152)	4	3/4 (19)	6-5/8 (168)	8	7/8 (22)	14 (356)	1 (25)	14-1/8 (359)	4-1/2 (114)
215	11-1/2 (292)	23 (584)	6-5/8 (168)	7-1/2 (190)	19-1/4 (489)	4-13/16 (122)	6-1/8 (156)	30-1/4 (768)	6 (152)	4	3/4 (19)	6-5/8 (168)	8	7/8 (22)	14 (356)	2-1/2 (64)	14-1/8 (359)	4-1/2 (114)
254	11-1/2 (292)	23 (584)	6-5/8 (168)	7-1/2 (190)	24-1/8 (613)	8-11/16 (221)	6-1/8 (156)	39 (991)	6 (152)	4	3/4 (19)	6-5/8 (168)	8	7/8 (22)	17 (432)	1 (25)	14-1/8 (359)	4-1/2 (114)
256	11-1/2 (292)	23 (584)	6-5/8 (168)	7-1/2 (190)	24-1/8 (613)	8-11/16 (221)	6-1/8 (156)	39 (991)	6 (152)	4	3/4 (19)	6-5/8 (168)	8	-	17 (432)	2-3/4 (70)	14-1/8 (359)	4-1/2 (114)
284	11-1/2 (292)	23 (584)	6-5/8 (168)	7-1/2 (190)	22-5/8 (575)	8-11/16 (221)	6-1/8 (156)	37-3/8 (949)	6 (152)	4	3/4 (19)	6-5/8 (168)	8	7/8 (22)	16-1/8 (410)	5-5/8 (143)	14-1/8 (359)	4-1/2 (114)
286	11-1/2 (292)	23 (584)	6-5/8 (168)	7-1/2 (190)	24-1/8 (613)	8-11/16 (221)	6-1/8 (156)	38-7/8 (987)	6 (152)	4	3/4 (19)	6-5/8 (168)	8	7/8 (22)	16-1/8 (410)	5-1/4 (133)	14-1/8 (359)	4-1/2 (114)
324	11-1/2 (292)	23 (584)	6-5/8 (168)	7-1/2 (190)	26 (660)	8-11/16 (221)	6-1/8 (156)	40 (1016)	6 (152)	4	3/4 (19)	6-5/8 (168)	8	7/8 (22)	18-3/4 (476)	5-3/8 (137)	14-1/8 (359)	4-1/2 (114)
326	11-1/2 (292)	23 (584)	6-5/8 (168)	7-1/2 (190)	26 (660)	8-11/16 (221)	6-1/8 (156)	40 (1016)	6 (152)	4	3/4 (19)	6-5/8 (168)	8	7/8 (22)	18-3/4 (476)	6-7/8 (175)	14-1/8 (359)	4-1/2 (114)

STUFFING BOX 80-PF, 80-S, 80-D

MOTOR FRAME	A	B	C	D	E (Max)	F	G	H (Max)	125# ANSI			250# ANSI			R	S (MAX)*	T	V (Min)
									J	N	P	J	N	P				
184	11-1/2 (292)	23 (584)	6-5/8 (168)	7-1/2 (190)	15-3/8 (391)	7-15/16 (202)	6-1/8 (156)	29-3/8 (746)	6 (152)	4	3/4 (19)	6-5/8 (168)	8	7/8 (22)	11-3/4 (298)	5/16 (8)	14-1/8 (359)	4-1/2 (114)
213	11-1/2 (292)	23 (584)	6-5/8 (168)	7-1/2 (190)	19-1/4 (489)	8-11/16 (221)	6-1/8 (156)	34-1/8 (867)	6 (152)	4	3/4 (19)	6-5/8 (168)	8	7/8 (22)	14 (356)	1 (25)	14-1/8 (359)	4-1/2 (114)
215	11-1/2 (292)	23 (584)	6-5/8 (168)	7-1/2 (190)	19-1/4 (489)	8-11/16 (221)	6-1/8 (156)	34-1/8 (867)	6 (152)	4	3/4 (19)	6-5/8 (168)	8	7/8 (22)	14 (356)	2-1/2 (64)	14-1/8 (359)	4-1/2 (114)
254	11-1/2 (292)	23 (584)	6-5/8 (168)	7-1/2 (190)	24-1/8 (613)	8-11/16 (221)	6-1/8 (156)	39 (991)	6 (152)	4	3/4 (19)	6-5/8 (168)	8	7/8 (22)	17 (432)	1 (25)	14-1/8 (359)	4-1/2 (114)
256	11-1/2 (292)	23 (584)	6-5/8 (168)	7-1/2 (190)	24-1/8 (613)	8-11/16 (221)	6-1/8 (156)	39 (991)	6 (152)	4	3/4 (19)	6-5/8 (168)	8	7/8 (22)	17 (432)	2-3/4 (70)	14-1/8 (359)	4-1/2 (114)
284	11-1/2 (292)	23 (584)	6-5/8 (168)	7-1/2 (190)	22-5/8 (575)	8-11/16 (221)	6-1/8 (156)	37-3/8 (949)	6 (152)	4	3/4 (19)	6-5/8 (168)	8	7/8 (22)	16-1/8 (410)	5-5/8 (143)	14-1/8 (359)	4-1/2 (114)
286	11-1/2 (292)	23 (584)	6-5/8 (168)	7-1/2 (190)	24-1/8 (613)	8-11/16 (221)	6-1/8 (156)	38-7/8 (987)	6 (152)	4	3/4 (19)	6-5/8 (168)	8	7/8 (22)	16-1/8 (410)	5-1/4 (133)	14-1/8 (359)	4-1/2 (114)
324	11-1/2 (292)	23 (584)	6-5/8 (168)	7-1/2 (190)	26 (660)	8-11/16 (221)	6-1/8 (156)	40 (1016)	6 (152)	4	3/4 (19)	6-5/8 (168)	8	7/8 (22)	18-3/4 (476)	5-3/8 (137)	14-1/8 (359)	4-1/2 (114)
326	11-1/2 (292)	23 (584)	6-5/8 (168)	7-1/2 (190)	26 (660)	8-11/16 (221)	6-1/8 (156)	40 (1016)	6 (152)	4	3/4 (19)	6-5/8 (168)	8	7/8 (22)	18-3/4 (476)	6-7/8 (175)	14-1/8 (359)	4-1/2 (114)

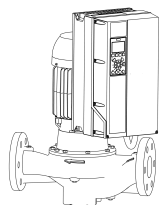
Dimensions are subject to change. Not to be used for construction purposes unless certified.

NOTE: For 1 phase Motors add 1" to dimensions E & H.

\*For TEFC Motors add S dimension to dimensions E& H.

Xylem Inc.  
 8200 N. Austin Avenue  
 Morton Grove, IL 60053  
 Phone: (847)966-3700  
 Fax: (847)965-8379  
 www.bellgossett.com

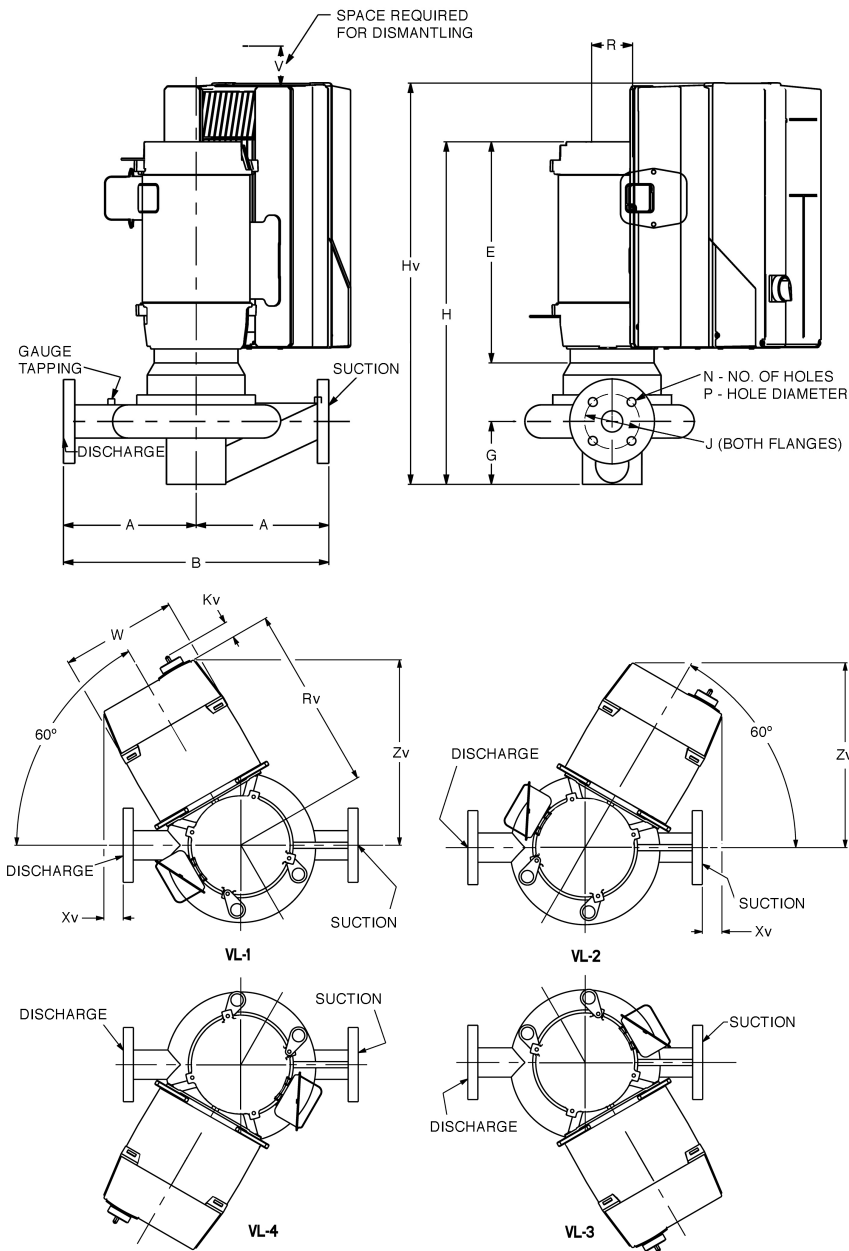




# 3x3x9<sup>1</sup>/<sub>2</sub>B Series 80<sup>®</sup>

In-Line Mounted Centrifugal Pumps  
With Optional Integrated Technologic<sup>®</sup> featuring Sensorless Control

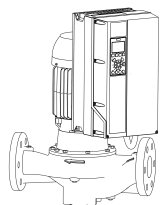
TECHNOLOGIC STANDARD FEATURES	
CONTROL METHOD	Constant Pressure, Linear Control Curve, Quadratic Control Curve Factory configured for sensorless operation standard. Field configurable for use with a wired transducer.
ENCLOSURE	IP55 / NEMA 12 / UL type 12
POWER DISCONNECT SWITCH	Included standard. Fused Disconnect Switch optional.
EMI/RFI CONTROL	Integrated filter to meet EN62800-3.
HARMONIC SUPPRESSION	Integrated non-saturating dual DC link reactors provide better harmonic performance than a 5% AC line reactor.
COOLING	Fan-cooled through temperature controlled and easy replacement.
AMBIENT TEMPERATURE RATING	14°F to 113°F (-10°C to 45°C)
COMMUNICATION PROTOCOLS	BACnet, Modbus RTU, N2 Metasys, FLN Apogee
ANALOG INPUTS	2 configurable for either voltage (0 to 10VDC) or current(0/4 to 20mA)
ANALOG OUTPUTS	1 (0/4 to 20mA) up to 500 ohm load accurate to 1% of full scale
DIGITAL INPUTS	4 (0 to 24VDC), NPN or PNP, 0 to 24VDC, on 5 msec scan interval, Up to 2 can be configured as pulse inputs.
DIGITAL OUTPUTS	2 (0 to 24VDC), 40mA max current, configurable as pulse outputs.
RELAY OUTPUTS	2 programmable, 240VAC or 400VAC up to 2 A



Xylem Inc.  
8200 N. Austin Avenue  
Morton Grove, IL 60053  
Phone: (847)966-3700  
Fax: (847)965-8379  
www.bellgossett.com

**xylem**  
Let's Solve Water

Bell & Gossett is a trademark of Xylem Inc. or one of its subsidiaries.  
© 2013 Xylem Inc.



# 3x3x9<sup>1</sup>/<sub>2</sub>B Series 80<sup>®</sup>

In-Line Mounted Centrifugal Pumps<sup>®</sup>  
With Optional Integrated Technologic<sup>®</sup> featuring Sensorless Control

## DIMENSIONS – Inches (mm)

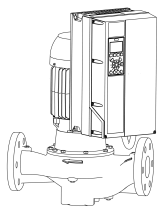
## STANDARD SEAL 80, 80-F

MOTOR FRAME	A	B	E (Max)	G	H (Max)	125# ANSI			250# ANSI			R	VFD	Rv	Zv	W	Hv	Xv
						J	N	P	J	N	P							
184	11-1/2 (292)	23 (584)	15-3/8 (391)	6-1/8 (156)	26-1/4 (667)	6 (152)	4	3/4 (19)	6-5/8 (168)	8	7/8 (22)	11-3/4 (298)	A5	12-25/32 (324)	13-3/16 (335)	9-1/2 (241)	29-13/32 (747)	1-7/16 (37)
213	11-1/2 (292)	23 (584)	19-1/4 (489)	6-1/8 (156)	30-1/4 (768)	6 (152)	4	3/4 (19)	6-5/8 (168)	8	7/8 (22)	14 (356)	A5	13-17/32 (344)	13-53/64 (351)	9-1/2 (241)	32-53/64 (834)	1-1/16 (27)
													B1	15-53/64 (402)	15-27/32 (402)	9-1/2 (241)	34-27/64 (874)	1/8 (3)
215	11-1/2 (292)	23 (584)	19-1/4 (489)	6-1/8 (156)	30-1/4 (768)	6 (152)	4	3/4 (19)	6-5/8 (168)	8	7/8 (22)	14 (356)	A5	13-17/32 (344)	13-53/64 (351)	9-1/2 (241)	31-23/64 (797)	1-1/16 (27)
													B1	15-53/64 (402)	15-27/32 (402)	9-1/2 (241)	32-57/64 (836)	1/8 (3)
254	11-1/2 (292)	23 (584)	24-1/8 (613)	6-1/8 (156)	39 (991)	6 (152)	4	3/4 (19)	6-5/8 (168)	8	7/8 (22)	17 (432)	B2	16-53/64 (427)	16-45/64 (424)	9-1/2 (241)	46-29/64 (1180)	5/8 (16)
256	11-1/2 (292)	23 (584)	24-1/8 (613)	6-1/8 (156)	39 (991)	6 (152)	4	3/4 (19)	6-5/8 (168)	8	-	17 (432)	B2	16-53/64 (427)	16-45/64 (424)	9-1/2 (241)	45-53/64 (1164)	5/8 (16)
284	11-1/2 (292)	23 (584)	22-5/8 (575)	6-1/8 (156)	37-3/8 (949)	6 (152)	4	3/4 (19)	6-5/8 (168)	8	7/8 (22)	16-1/8 (410)	B2	17-37/64 (446)	17-23/64 (441)	9-1/2 (241)	44-5/64 (1120)	1 (25)
286	11-1/2 (292)	23 (584)	24-1/8 (613)	6-1/8 (156)	38-7/8 (987)	6 (152)	4	3/4 (19)	6-5/8 (168)	8	7/8 (22)	16-1/8 (410)	B2	17-37/64 (446)	17-23/64 (441)	9-1/2 (241)	45-37/64 (1158)	1 (25)
													C1	19-37/64 (497)	19-5/8 (498)	12-3/32 (307)	47-63/64 (1219)	2-29/32 (74)
324	11-1/2 (292)	23 (584)	26 (660)	6-1/8 (156)	40 (1016)	6 (152)	4	3/4 (19)	6-5/8 (168)	8	7/8 (22)	18-3/4 (476)	B2	18-37/64 (472)	18-7/32 (463)	9-1/2 (241)	45-11/64 (1147)	1-1/2 (38)
													C1	20-37/64 (523)	20-31/64 (520)	12-3/32 (307)	45-33/64 (1156)	3-13/32 (87)
													C2	21-37/64 (548)	21-61/64 (557)	14-19/32 (371)	50-5/64 (1272)	4-15/16 (126)
326	11-1/2 (292)	23 (584)	26 (660)	6-1/8 (156)	40 (1016)	6 (152)	4	3/4 (19)	6-5/8 (168)	8	7/8 (22)	18-3/4 (476)	C1	20-37/64 (523)	20-31/64 (520)	12-3/32 (307)	45-33/64 (1156)	3-13/32 (87)
													C2	21-37/64 (548)	21-61/64 (557)	14-19/32 (371)	50-5/64 (1272)	4-15/16 (126)

Xylem Inc.  
8200 N. Austin Avenue  
Morton Grove, IL 60053  
Phone: (847)966-3700  
Fax: (847)965-8379  
www.bellgossett.com

**xylem**  
Let's Solve Water

Bell & Gossett is a trademark of Xylem Inc. or one of its subsidiaries.  
© 2013 Xylem Inc.



# 3x3x9<sup>1</sup>/<sub>2</sub>B Series 80<sup>®</sup>

In-Line Mounted Centrifugal Pumps  
With Optional Integrated Technologic<sup>®</sup> featuring Sensorless Control

## STUFFING BOX 80-PF, 80-S, 80-D

MOTOR FRAME	A	B	E (Max)	G	H (Max)	125# ANSI			250# ANSI			R	VFD	Rv	Zv	W	Hv	Xv
						J	N	P	J	N	P							
184	11-1/2 (292)	23 (584)	15-3/8 (391)	6-1/8 (156)	29-3/8 (746)	6 (152)	4	3/4 (19)	6-5/8 (168)	8	7/8 (22)	11-3/4 (298)	A5	12-25/32 (324)	13-3/16 (335)	9-1/2 (241)	32-17/32 (826)	1-7/16 (37)
213	11-1/2 (292)	23 (584)	19-1/4 (489)	6-1/8 (156)	34-1/8 (867)	6 (152)	4	3/4 (19)	6-5/8 (168)	8	7/8 (22)	14 (356)	A5	13-17/32 (344)	13-53/64 (351)	9-1/2 (241)	36-45/64 (932)	1-1/16 (27)
													B1	15-53/64 (402)	15-27/32 (402)	9-1/2 (241)	38-19/64 (973)	1/8 (3)
215	11-1/2 (292)	23 (584)	19-1/4 (489)	6-1/8 (156)	34-1/8 (867)	6 (152)	4	3/4 (19)	6-5/8 (168)	8	7/8 (22)	14 (356)	A5	13-17/32 (344)	13-53/64 (351)	9-1/2 (241)	35-15/64 (895)	1-1/16 (27)
													B1	15-53/64 (402)	15-27/32 (402)	9-1/2 (241)	36-49/64 (934)	1/8 (3)
254	11-1/2 (292)	23 (584)	24-1/8 (613)	6-1/8 (156)	39 (991)	6 (152)	4	3/4 (19)	6-5/8 (168)	8	7/8 (22)	17 (432)	B2	16-53/64 (427)	16-45/64 (424)	9-1/2 (241)	46-29/64 (1180)	5/8 (16)
256	11-1/2 (292)	23 (584)	24-1/8 (613)	6-1/8 (156)	39 (991)	6 (152)	4	3/4 (19)	6-5/8 (168)	8	7/8 (22)	17 (432)	B2	16-53/64 (427)	16-45/64 (424)	9-1/2 (241)	45-53/64 (1164)	5/8 (16)
284	11-1/2 (292)	23 (584)	22-5/8 (575)	6-1/8 (156)	37-3/8 (949)	6 (152)	4	3/4 (19)	6-5/8 (168)	8	7/8 (22)	16-1/8 (410)	B2	17-37/64 (446)	17-23/64 (441)	9-1/2 (241)	44-5/64 (1120)	1 (25)
286	11-1/2 (292)	23 (584)	24-1/8 (613)	6-1/8 (156)	38-7/8 (987)	6 (152)	4	3/4 (19)	6-5/8 (168)	8	7/8 (22)	16-1/8 (410)	B2	17-37/64 (446)	17-23/64 (441)	9-1/2 (241)	45-37/64 (1158)	1 (25)
													C1	19-37/64 (497)	19-5/8 (498)	12-3/32 (307)	47-63/64 (1219)	2-29/32 (74)
324	11-1/2 (292)	23 (584)	26 (660)	6-1/8 (156)	40 (1016)	6 (152)	4	3/4 (19)	6-5/8 (168)	8	7/8 (22)	18-3/4 (476)	B2	18-37/64 (472)	18-7/32 (463)	9-1/2 (241)	45-11/64 (1147)	1-1/2 (38)
													C1	20-37/64 (523)	20-31/64 (520)	12-3/32 (307)	45-33/64 (1156)	3-13/32 (87)
													C2	21-37/64 (548)	21-61/64 (557)	14-19/32 (371)	50-5/64 (1272)	4-15/16 (126)
326	11-1/2 (292)	23 (584)	26 (660)	6-1/8 (156)	40 (1016)	6 (152)	4	3/4 (19)	6-5/8 (168)	8	7/8 (22)	18-3/4 (476)	C1	20-37/64 (523)	20-31/64 (520)	12-3/32 (307)	45-33/64 (1156)	3-13/32 (87)
													C2	21-37/64 (548)	21-61/64 (557)	14-19/32 (371)	50-5/64 (1272)	4-15/16 (126)

Xylem Inc.  
8200 N. Austin Avenue  
Morton Grove, IL 60053  
Phone: (847)966-3700  
Fax: (847)965-8379  
www.bellgossett.com

**xylem**  
Let's Solve Water

Bell & Gossett is a trademark of Xylem Inc. or one of its subsidiaries.  
© 2012 Xylem Inc.