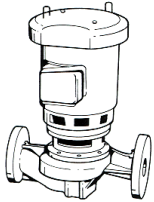


JOB: UNIT TAG: ENGINEER: CONTRACTOR:	REPRESENTATIVE: ORDER NO.: SUBMITTED BY: APPROVED BY:	DATE: DATE: DATE:
---	--	--



3x3x7B

Series 80[®]

In-Line Mounted Centrifugal Pumps

SPECIFICATIONS

FLOW _____ HEAD _____

HP _____ RPM _____

VOLTS _____

CYCLE _____ PHASE _____

ENCLOSURE _____

APPROX. WEIGHT _____

SPECIALS _____

MATERIALS OF CONSTRUCTION

BRONZE FITTED ALL IRON

MAXIMUM WORKING PRESSURE

175 psi (12 bar) W.P. with 125# ANSI flange drilling

250 psi (17 bar) W.P. with 250# ANSI flange drilling (requires 80-S)

300 psi (21 bar) W.P. with 250# ANSI flange drilling (EPR-Sintered Silicon Carbide-Sintered Silicon Carbide) Requires 80-S

TYPE OF SEAL

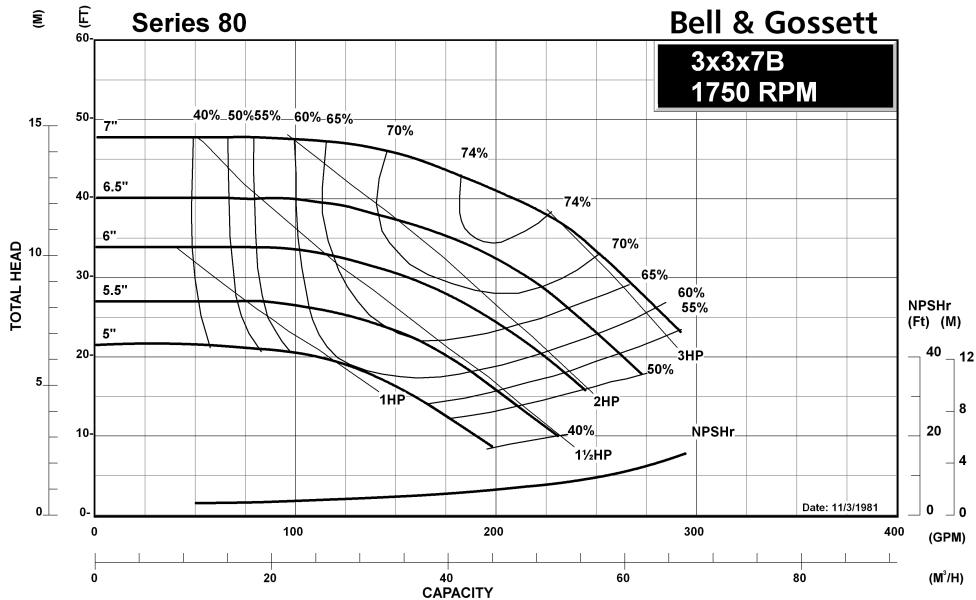
80 Standard Seal (Buna-Carbon/Ceramic)

80 -F Standard Seal w/ Flush Line (Buna-Carbon/Ceramic)

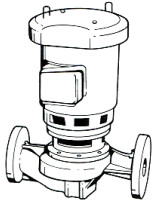
80 -S Stuffing Box construction w/ Flushed Mechanical Single Seal (EPR-Tungsten Carbide/Carbon)

80 -D Stuffing Box construction w/ Flushed Double Mechanical Seal (EPR-Carbon/Ceramic) Requires external water source

80 -PF Stuffing Box Construction w/ Flushed Packing (Graphite Impregnated PTFE)



JOB:	REPRESENTATIVE:	
UNIT TAG:	ORDER NO.	DATE:
ENGINEER:	SUBMITTED BY:	DATE:
CONTRACTOR:	APPROVED BY:	DATE:



3x3x7B

Series 80[®]

In-Line Mounted Centrifugal Pumps

SPECIFICATIONS

FLOW _____ HEAD _____

HP _____ RPM _____

VOLTS _____

CYCLE _____ PHASE _____

ENCLOSURE _____

APPROX. WEIGHT _____

SPECIALS _____

MATERIALS OF CONSTRUCTION

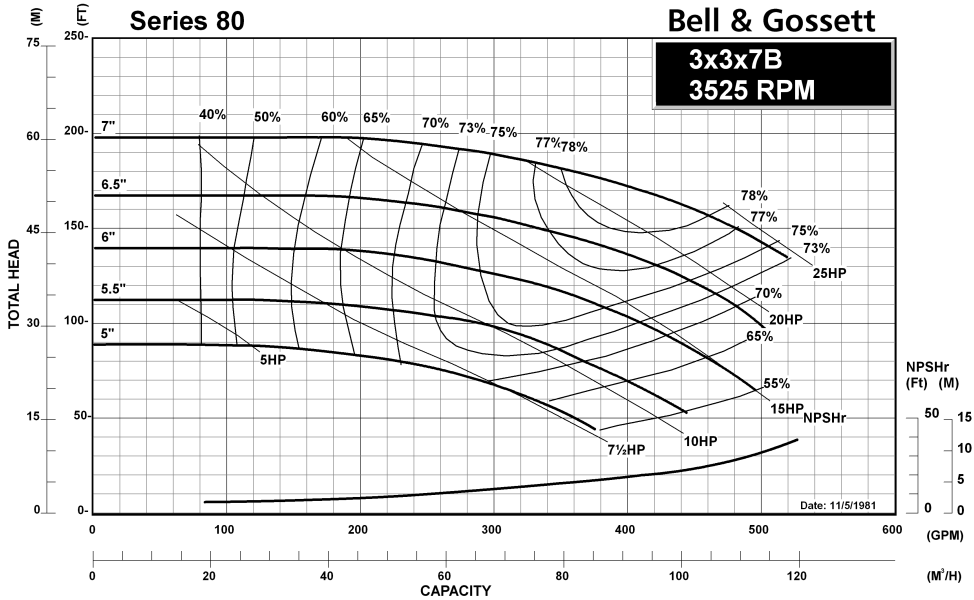
BRONZE FITTED ALL IRON

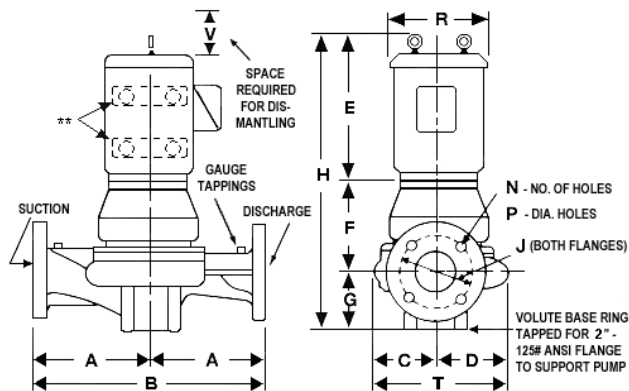
MAXIMUM WORKING PRESSURE

- 175 psi (12 bar) W.P. with 125# ANSI flange drilling
- 250 psi (17 bar) W.P. with 250# ANSI flange drilling (requires 80-S)
- 300 psi (21 bar) W.P. with 250# ANSI flange drilling (EPR-Sintered Silicon Carbide-Sintered Silicon Carbide) Requires 80-S

TYPE OF SEAL

- 80 Standard Seal (Buna-Carbon/Ceramic)
- 80 -F Standard Seal w/ Flush Line (Buna-Carbon/Ceramic)
- 80 -S Stuffing Box construction w/ Flushed Mechanical Single Seal (EPR-Tungsten Carbide/Carbon)
- 80 -D Stuffing Box construction w/ Flushed Double Mechanical Seal (EPR-Carbon/Ceramic) Requires external water source
- 80 -PF Stuffing Box Construction w/ Flushed Packing (Graphite Impregnated PTFE)





FLANGE DIMENSIONS IN INCHES (MM)			
	SIZE	THICKNESS	O.D.
Discharge	3"	1-1/8 (29)	8 (203)
Suction	3"	1-1/8 (29)	8 (203)

** Motor may be supplied with feet

DIMENSIONS - Inches (mm)

STANDARD SEAL 80, 80-F

MOTOR FRAME	A	B	C	D	E (Max)	F	G	H (Max)	125# ANSI			250# ANSI			R	S (Max)*	T	V (Min)
									J	N	P	J	N	P				
143	9-1/2 (241)	19 (483)	5-1/4 (133)	6-1/4 (159)	11-5/8 (295)	4-7/8 (124)	5-1/2 (140)	22 (559)	6 (152)	4	3/4 (19)	6-5/8 (168)	8 (22)	7/8 (22)	9-3/4 (248)	1-1/2 (38)	11-1/2 (292)	4-1/2 (114)
145	9-1/2 (241)	19 (483)	5-1/4 (133)	6-1/4 (159)	12-5/8 (321)	4-7/8 (124)	5-1/2 (140)	23 (584)	6 (152)	4	3/4 (19)	6-5/8 (168)	8 (22)	7/8 (22)	9-3/4 (248)	1-1/2 (38)	11-1/2 (292)	4-1/2 (114)
182	9-1/2 (241)	19 (483)	5-1/4 (133)	6-1/4 (159)	15-5/16 (389)	4-7/8 (124)	5-1/2 (140)	25-3/4 (654)	6 (152)	4	3/4 (19)	6-5/8 (168)	8 (22)	7/8 (22)	11-3/4 (298)	1 (25)	11-1/2 (292)	4-1/2 (114)
184	9-1/2 (241)	19 (483)	5-1/4 (133)	6-1/4 (159)	15-5/16 (389)	4-7/8 (124)	5-1/2 (140)	25-3/4 (654)	6 (152)	4	3/4 (19)	6-5/8 (168)	8 (22)	7/8 (22)	11-3/4 (298)	1 (25)	11-1/2 (292)	4-1/2 (114)
213	9-1/2 (241)	19 (483)	5-1/4 (133)	6-1/4 (159)	19-1/4 (489)	4-7/8 (124)	5-1/2 (140)	29-5/8 (752)	6 (152)	4	3/4 (19)	6-5/8 (168)	8 (22)	7/8 (22)	14 (356)	-	11-1/2 (292)	4-1/2 (114)
215	9-1/2 (241)	19 (483)	5-1/4 (133)	6-1/4 (159)	19-1/4 (489)	4-7/8 (124)	5-1/2 (140)	29-5/8 (752)	6 (152)	4	3/4 (19)	6-5/8 (168)	8 (22)	7/8 (22)	14 (356)	-	11-1/2 (292)	4-1/2 (114)
254	9-1/2 (241)	19 (483)	5-1/4 (133)	6-1/4 (159)	24-1/8 (613)	8-3/4 (222)	5-1/2 (140)	38-3/8 (975)	6 (152)	4	3/4 (19)	6-5/8 (168)	8 (22)	7/8 (22)	17 (432)	-	11-1/2 (292)	4-1/2 (114)
256	9-1/2 (241)	19 (483)	5-1/4 (133)	6-1/4 (159)	24-1/8 (613)	8-3/4 (222)	5-1/2 (140)	38-3/8 (975)	6 (152)	4	3/4 (19)	6-5/8 (168)	8 (22)	7/8 (22)	17 (432)	-	11-1/2 (292)	4-1/2 (114)

STUFFING BOX 80-PF, 80-S, 80-D

MOTOR FRAME	A	B	C	D	E (Max)	F	G	H (Max)	125# ANSI			250# ANSI			R	S (Max)*	T	V (Min)
									J	N	P	J	N	P				
143	9-1/2 (241)	19 (483)	5-1/4 (133)	6-1/4 (159)	11-5/8 (295)	8 (203)	5-1/2 (140)	25-1/8 (638)	6 (152)	4	3/4 (19)	6-5/8 (168)	8 (22)	7/8 (22)	9-3/4 (248)	1-1/2 (38)	11-1/2 (292)	4-1/2 (114)
145	9-1/2 (241)	19 (483)	5-1/4 (133)	6-1/4 (159)	12-5/8 (321)	8 (203)	5-1/2 (140)	26-1/8 (664)	6 (152)	4	3/4 (19)	6-5/8 (168)	8 (22)	7/8 (22)	9-3/4 (248)	1-1/2 (38)	11-1/2 (292)	4-1/2 (114)
182	9-1/2 (241)	19 (483)	5-1/4 (133)	6-1/4 (159)	15-5/16 (389)	8 (203)	5-1/2 (140)	28-7/8 (733)	6 (152)	4	3/4 (19)	6-5/8 (168)	8 (22)	7/8 (22)	11-3/4 (298)	1 (25)	11-1/2 (292)	4-1/2 (114)
184	9-1/2 (241)	19 (483)	5-1/4 (133)	6-1/4 (159)	15-5/16 (389)	8 (203)	5-1/2 (140)	28-7/8 (733)	6 (152)	4	3/4 (19)	6-5/8 (168)	8 (22)	7/8 (22)	11-3/4 (298)	1 (25)	11-1/2 (292)	4-1/2 (114)
213	9-1/2 (241)	19 (483)	5-1/4 (133)	6-1/4 (159)	19-1/4 (489)	8-3/4 (222)	5-1/2 (140)	33-1/2 (851)	6 (152)	4	3/4 (19)	6-5/8 (168)	8 (22)	7/8 (22)	14 (356)	-	11-1/2 (292)	4-1/2 (114)
215	9-1/2 (241)	19 (483)	5-1/4 (133)	6-1/4 (159)	19-1/4 (489)	8-3/8 (213)	5-1/2 (140)	33-1/2 (851)	6 (152)	4	3/4 (19)	6-5/8 (168)	8 (22)	7/8 (22)	14 (356)	-	11-1/2 (292)	4-1/2 (114)
254	9-1/2 (241)	19 (483)	5-1/4 (133)	6-1/4 (159)	24-1/8 (613)	8-3/4 (222)	5-1/2 (140)	38-3/8 (975)	6 (152)	4	3/4 (19)	6-5/8 (168)	8 (22)	7/8 (22)	17 (432)	-	11-1/2 (292)	4-1/2 (114)
256	9-1/2 (241)	19 (483)	5-1/4 (133)	6-1/4 (159)	24-1/8 (613)	8-3/4 (222)	5-1/2 (140)	38-3/8 (975)	6 (152)	4	3/4 (19)	6-5/8 (168)	8 (22)	7/8 (22)	17 (432)	-	11-1/2 (292)	4-1/2 (114)

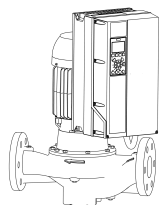
Dimensions are subject to change. Not to be used for construction purposes unless certified.

NOTE: For 1 phase Motors add 1" to dimensions E & H.

*For TEFC Motors add S dimension to dimensions E& H.

Xylem Inc.
8200 N. Austin Avenue
Morton Grove, IL 60053
Phone: (847)966-3700
Fax: (847)965-8379
www.bellgossett.com

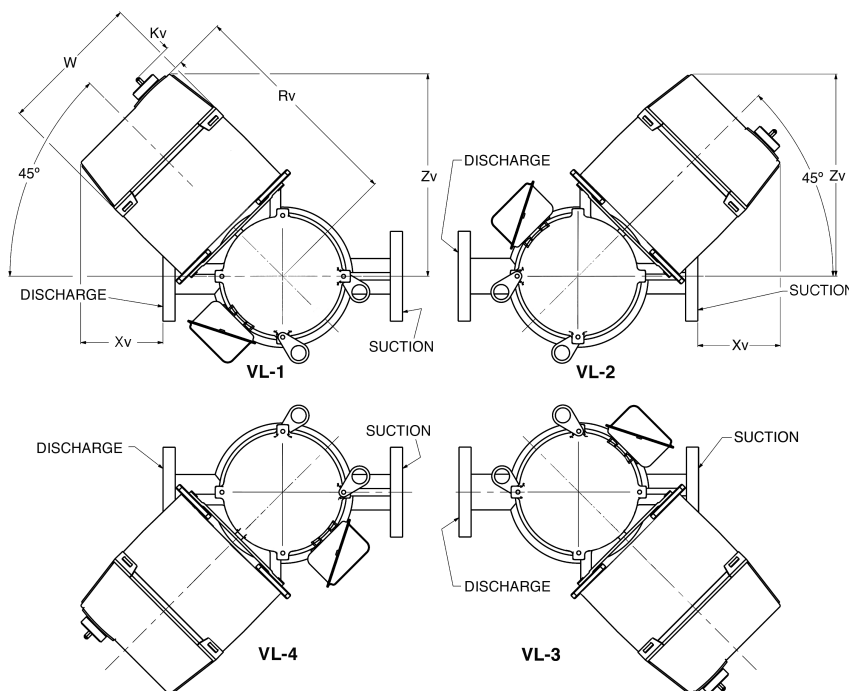
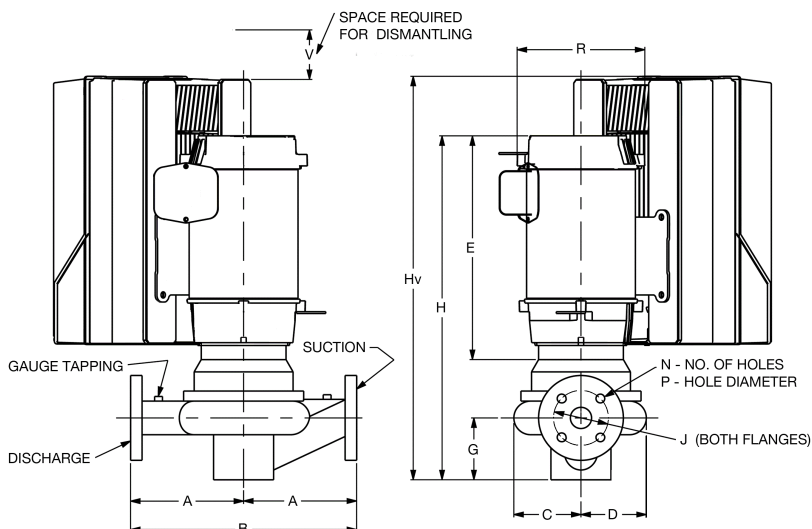




3x3x7B Series 80[®]

In-Line Mounted Centrifugal Pumps
With Optional Integrated Technologic[®] featuring Sensorless Control

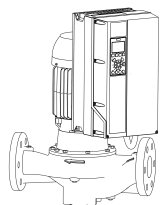
TECHNOLOGIC STANDARD FEATURES	
CONTROL METHOD	Constant Pressure, Linear Control Curve, Quadratic Control Curve Factory configured for sensorless operation standard. Field configurable for use with a wired transducer.
ENCLOSURE	IP55 / NEMA 12 / UL type 12
POWER DISCONNECT SWITCH	Included standard. Fused Disconnect Switch optional.
EMI/RFI CONTROL	Integrated filter to meet EN62800-3.
HARMONIC SUPPRESSION	Integrated non-saturating dual DC link reactors provide better harmonic performance than a 5% AC line reactor.
COOLING	Fan-cooled through temperature controlled and easy replacement.
AMBIENT TEMPERATURE RATING	14°F to 113°F (-10°C to 45°C)
COMMUNICATION PROTOCOLS	BACnet, Modbus RTU, N2 Metasys, FLN Apogee
ANALOG INPUTS	2 configurable for either voltage (0 to 10VDC) or current (0/4 to 20mA)
ANALOG OUTPUTS	1 (0/4 to 20mA) up to 500 ohm load accurate to 1% of full scale
DIGITAL INPUTS	4 (0 to 24VDC), NPN or PNP, 0 to 24VDC, on 5 msec scan interval, Up to 2 can be configured as pulse inputs.
DIGITAL OUTPUTS	2 (0 to 24VDC), 40mA max current, configurable as pulse outputs.
RELAY OUTPUTS	2 programmable, 240VAC or 400VAC up to 2 A



Xylem Inc.
8200 N. Austin Avenue
Morton Grove, IL 60053
Phone: (847)966-3700
Fax: (847)965-8379
www.bellgossett.com

xylem
Let's Solve Water

Bell & Gossett is a trademark of Xylem Inc. or one of its subsidiaries.
© 2013 Xylem Inc.



3x3x7B Series 80[®]

In-Line Mounted Centrifugal Pumps[®]
With Optional Integrated Technologic[®] featuring Sensorless Control

DIMENSIONS – Inches (mm)

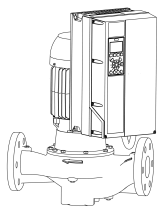
STANDARD SEAL 80, 80-F

MOTOR FRAME	A	B	E (Max)	G	H (Max)	125# ANSI			250# ANSI			R	VFD	Rv	Zv	W	Hv	Xv
						J	N	P	J	N	P							
143	9-1/2 (241)	19 (483)	11-5/8 (295)	5-1/2 (140)	22 (559)	6 (152)	4	3/4 (19)	6-5/8 (168)	8	7/8 (22)	9-3/4 (248)	A5	11-25/32 (299)	11-21/64 (288)	9-1/2 (241)	28-41/64 (727)	1-53/64 (46)
145	9-1/2 (241)	19 (483)	12-5/8 (321)	5-1/2 (140)	23 (584)	6 (152)	4	3/4 (19)	6-5/8 (168)	8	7/8 (22)	9-3/4 (248)	A5	11-25/32 (299)	11-21/64 (288)	9-1/2 (241)	29-41/64 (753)	1-53/64 (46)
182	9-1/2 (241)	19 (483)	15-5/16 (389)	5-1/2 (140)	25-3/4 (654)	6 (152)	4	3/4 (19)	6-5/8 (168)	8	7/8 (22)	11-3/4 (298)	A5	12-25/32 (324)	12-1/32 (306)	9-1/2 (241)	28-29/32 (734)	2-17/32 (64)
184	9-1/2 (241)	19 (483)	15-5/16 (389)	5-1/2 (140)	25-3/4 (654)	6 (152)	4	3/4 (19)	6-5/8 (168)	8	7/8 (22)	11-3/4 (298)	A5	12-25/32 (324)	12-1/32 (306)	9-1/2 (241)	28-29/32 (734)	2-17/32 (64)
213	9-1/2 (241)	19 (483)	19-1/4 (489)	5-1/2 (140)	29-5/8 (752)	6 (152)	4	3/4 (19)	6-5/8 (168)	8	7/8 (22)	14 (356)	A5	13-17/32 (344)	12-9/16 (319)	9-1/2 (241)	32-13/64 (818)	3-1/16 (78)
													B1	15-53/64 (402)	14-7/32 (361)	9-1/2 (241)	33-51/64 (858)	4-23/32 (120)
215	9-1/2 (241)	19 (483)	19-1/4 (489)	5-1/2 (140)	29-5/8 (752)	6 (152)	4	3/4 (19)	6-5/8 (168)	8	7/8 (22)	14 (356)	A5	13-17/32 (344)	12-9/16 (319)	9-1/2 (241)	30-47/64 (781)	3-1/16 (78)
													B1	15-53/64 (402)	14-7/32 (361)	9-1/2 (241)	32-17/64 (820)	4-23/32 (120)
254	9-1/2 (241)	19 (483)	24-1/8 (613)	5-1/2 (140)	38-3/8 (975)	6 (152)	4	3/4 (19)	6-5/8 (168)	8	7/8 (22)	17 (432)	B1	16-53/64 (427)	14-59/64 (379)	9-1/2 (241)	41-3/8 (1051)	5-27/64 (138)
													B2	16-53/64 (427)	14-59/64 (379)	9-1/2 (241)	45-53/64 (1164)	5-27/64 (138)
256	9-1/2 (241)	19 (483)	24-1/8 (613)	5-1/2 (140)	38-3/8 (975)	6 (152)	4	3/4 (19)	6-5/8 (168)	8	7/8 (22)	17 (432)	B1	16-53/64 (427)	14-59/64 (379)	9-1/2 (241)	40-3/4 (1035)	5-27/64 (138)
													B2	16-53/64 (427)	14-59/64 (379)	9-1/2 (241)	45-13/64 (1148)	5-27/64 (138)
													C1	18-53/64 (478)	17-3/32 (434)	12-3/32 (307)	46-3/32 (1171)	7-19/32 (193)

Xylem Inc.
8200 N. Austin Avenue
Morton Grove, IL 60053
Phone: (847)966-3700
Fax: (847)965-8379
www.bellgossett.com

Bell & Gossett is a trademark of Xylem Inc. or one of its subsidiaries.
© 2013 Xylem Inc.

xylem
Let's Solve Water



3X3X7B Series 80[®]

In-Line Mounted Centrifugal Pumps
With Optional Integrated Technologic[®] featuring Sensorless Control

STUFFING BOX 80-PF, 80-S, 80-D

MOTOR FRAME	A	B	E (Max)	G	H (Max)	125# ANSI			250# ANSI			R	VFD	Rv	Zv	W	Hv	Xv
						J	N	P	J	N	P							
143	9-1/2 (241)	19 (483)	11-5/8 (295)	5-1/2 (140)	25-1/8 (638)	6 (152)	4	3/4 (19)	6-5/8 (168)	8	7/8 (22)	9-3/4 (248)	A5	11-25/32 (299)	11-21/64 (288)	9-1/2 (241)	31-49/64 (807)	1-53/64 (46)
145	9-1/2 (241)	19 (483)	12-5/8 (321)	5-1/2 (140)	26-1/8 (664)	6 (152)	4	3/4 (19)	6-5/8 (168)	8	7/8 (22)	9-3/4 (248)	A5	11-25/32 (299)	11-21/64 (288)	9-1/2 (241)	32-49/64 (832)	1-53/64 (46)
182	9-1/2 (241)	19 (483)	15-5/16 (389)	5-1/2 (140)	28-7/8 (733)	6 (152)	4	3/4 (19)	6-5/8 (168)	8	7/8 (22)	11-3/4 (298)	A5	12-25/32 (324)	12-1/32 (306)	9-1/2 (241)	32-1/32 (813)	2-17/32 (64)
184	9-1/2 (241)	19 (483)	15-5/16 (389)	5-1/2 (140)	28-7/8 (733)	6 (152)	4	3/4 (19)	6-5/8 (168)	8	7/8 (22)	11-3/4 (298)	A5	12-25/32 (324)	12-1/32 (306)	9-1/2 (241)	32-1/32 (813)	2-17/32 (64)
213	9-1/2 (241)	19 (483)	19-1/4 (489)	5-1/2 (140)	33-1/2 (851)	6 (152)	4	3/4 (19)	6-5/8 (168)	8	7/8 (22)	14 (356)	A5	13-17/32 (344)	12-9/16 (319)	9-1/2 (241)	36-5/64 (917)	3-1/16 (78)
													B1	15-53/64 (402)	14-7/32 (361)	9-1/2 (241)	37-43/64 (957)	4-23/32 (120)
215	9-1/2 (241)	19 (483)	19-1/4 (489)	5-1/2 (140)	33-1/2 (851)	6 (152)	4	3/4 (19)	6-5/8 (168)	8	7/8 (22)	14 (356)	A5	13-17/32 (344)	12-9/16 (319)	9-1/2 (241)	34-39/64 (879)	3-1/16 (78)
													B1	15-53/64 (402)	14-7/32 (361)	9-1/2 (241)	36-9/64 (918)	4-23/32 (120)
254	9-1/2 (241)	19 (483)	24-1/8 (613)	5-1/2 (140)	38-3/8 (975)	6 (152)	4	3/4 (19)	6-5/8 (168)	8	7/8 (22)	17 (432)	B1	16-53/64 (427)	14-59/64 (379)	9-1/2 (241)	41-3/8 (1051)	5-27/64 (138)
													B2	16-53/64 (427)	14-59/64 (379)	9-1/2 (241)	45-53/64 (1164)	5-27/64 (138)
256	9-1/2 (241)	19 (483)	24-1/8 (613)	5-1/2 (140)	38-3/8 (975)	6 (152)	4	3/4 (19)	6-5/8 (168)	8	7/8 (22)	17 (432)	B1	16-53/64 (427)	14-59/64 (379)	9-1/2 (241)	40-3/4 (1035)	5-27/64 (138)
													B2	16-53/64 (427)	14-59/64 (379)	9-1/2 (241)	45-13/64 (1148)	5-27/64 (138)
													C1	18-53/64 (478)	17-3/32 (434)	12-3/32 (307)	46-3/32 (1171)	7-19/32 (193)

Xylem Inc.
8200 N. Austin Avenue
Morton Grove, IL 60053
Phone: (847)966-3700
Fax: (847)965-8379
www.bellgossett.com

xylem
Let's Solve Water

Bell & Gossett is a trademark of Xylem Inc. or one of its subsidiaries.
© 2012 Xylem Inc.