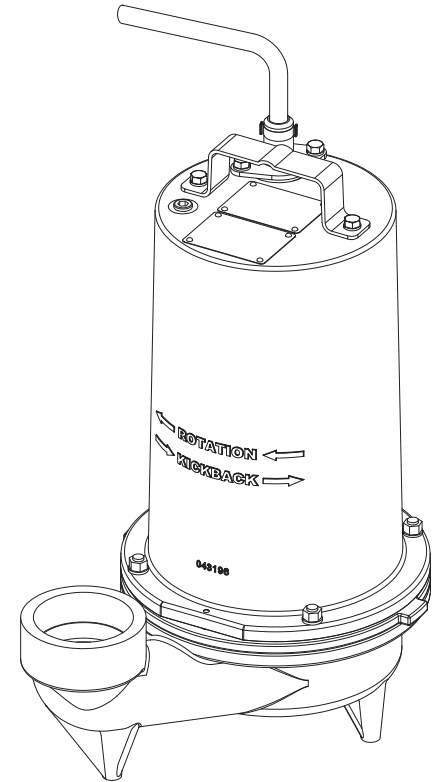


DISCHARGE 3" NPT, Female, Vertical
LIQUID TEMPERATURE 104°F (40°C) Continuous
VOLUTE Cast Iron ASTM A-48, Class 30
MOTOR HOUSING Cast Iron ASTM A-48, Class 30
SEAL PLATE Cast Iron, Class 30
IMPELLER: Design 2 Vane, semi-open with pump out vanes on back side. Dynamically balanced, ISO G6.3
 Material Cast Iron, Class 30
SHAFT 416 Stainless Steel
SQUARE RINGS..... Buna-N
HARDWARE 300 Series Stainless Steel
PAINT Air Dry Enamel
SEAL: Design Single Mechanical, Oil filled reservoir
 Material Carbon/Ceramic/Buna-N
 Hardware -300 Series Stainless
CORD ENTRY 30 ft. (9.1m) Cord. Quick connect custom molded for sealing and strain relief
SPEED 3450 RPM (Nominal)
UPPER BEARING..... Single Row, Ball, Oil lubricated
 Load Radial
LOWER BEARING..... Single Row, Ball, Oil lubricated
 Load Radial & Thrust
MOTOR: Design NEMA B -Three phase Torque Curve, Oil Filled, Squirrel Cage Induction
 Insulation..... Class B
THREE PHASE 230/460 is Dual Voltage. 575. Requires overload Protection to be included in control panel
OPTIONAL EQUIPMENT..... Seal Material, Impeller Trims, Additional cord. Temperature Sensor Normally Closed, Requires relay in control panel.

RECOMMENDED:

Accessories..... Break Away Fitting (BAF)
 Check Valve
 Control Panel
Seal Kit PN 130182
Service Kit PN..... 130209



Series: 3SE-L
3HP, 3450RPM, 60Hz



CSA 108 - File No. L16567

Sample Specifications: Section 1 Page 3.

DESCRIPTION:

SUBMERSIBLE NON-CLOG SEWAGE PUMP
DESIGNED FOR TYPICAL RAW SEWAGE
APPLICATIONS

Series 3SE-L

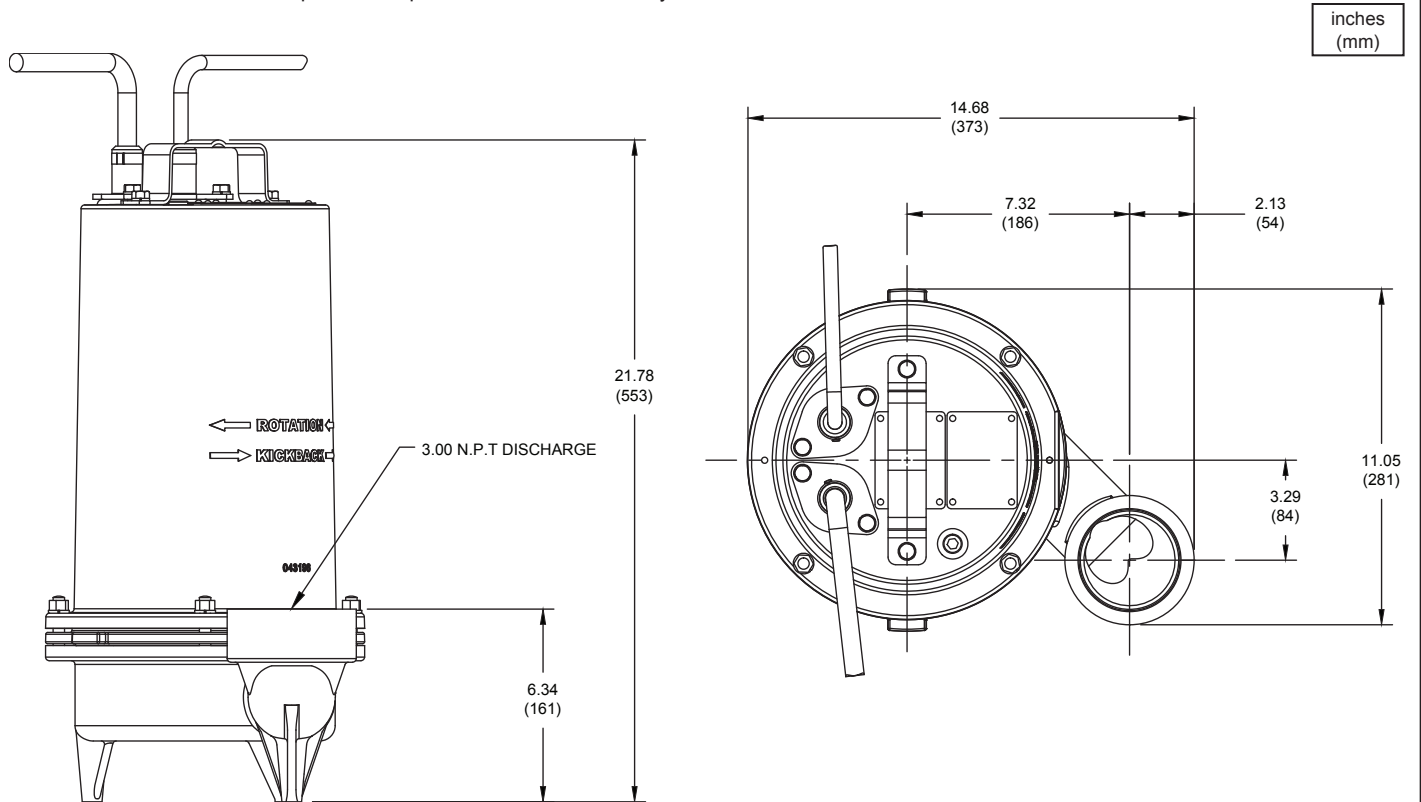
1½" Spherical Solids Handling
Single Seal

BARNES®

www.cranepumps.com

1½", 2" & 3" Discharge

Shown with Power Cord and Optional Temperature Sensor Cord Entry



MODEL NO	PART NO	HP	VOLT/PH	Hz	RPM (Nom)	NEMA START CODE	FULL LOAD AMPS	LOCKED ROTOR AMPS	CORD SIZE	CORD TYPE	CORD O.D inch (mm)
3SE3032L	133153	3.0	230/3	60	3450	B	16.4	40.0	12/4	SOOW/SOW	.68 (17.4)
3SE3042L	133154	3.0	460/3	60	3450	B	8.2	20.0	14/4	SOOW/SOW	.57 (14.5)
3SE3052L	133155	3.0	575/3	60	3450	B	6.5	16.0	14/4	SOOW/SOW	.57 (14.5)

OPTIONAL - Temperature sensor cord for 3 phase models is 18/5 SOOW/SOW, 0.470 (11.9mm) O.D.

IMPORTANT !

- PUMP MAY BE OPERATED "DRY" FOR EXTENDED PERIODS WITHOUT DAMAGE TO MOTOR AND/OR SEALS.
- INSTALLATIONS SUCH AS DECORATIVE FOUNTAINS OR WATER FEATURES PROVIDED FOR VISUAL ENJOYMENT MUST BE INSTALLED IN ACCORDANCE WITH THE NATIONAL ELECTRIC CODE ANSI/NFPA 70 AND/OR THE AUTHORITY HAVING JURISDICTION. THIS PUMP IS NOT INTENDED FOR USE IN SWIMMING POOLS, RECREATIONAL WATER PARKS, OR INSTALLATIONS IN WHICH HUMAN CONTACT WITH PUMPED MEDIA IS A COMMON OCCURRENCE.

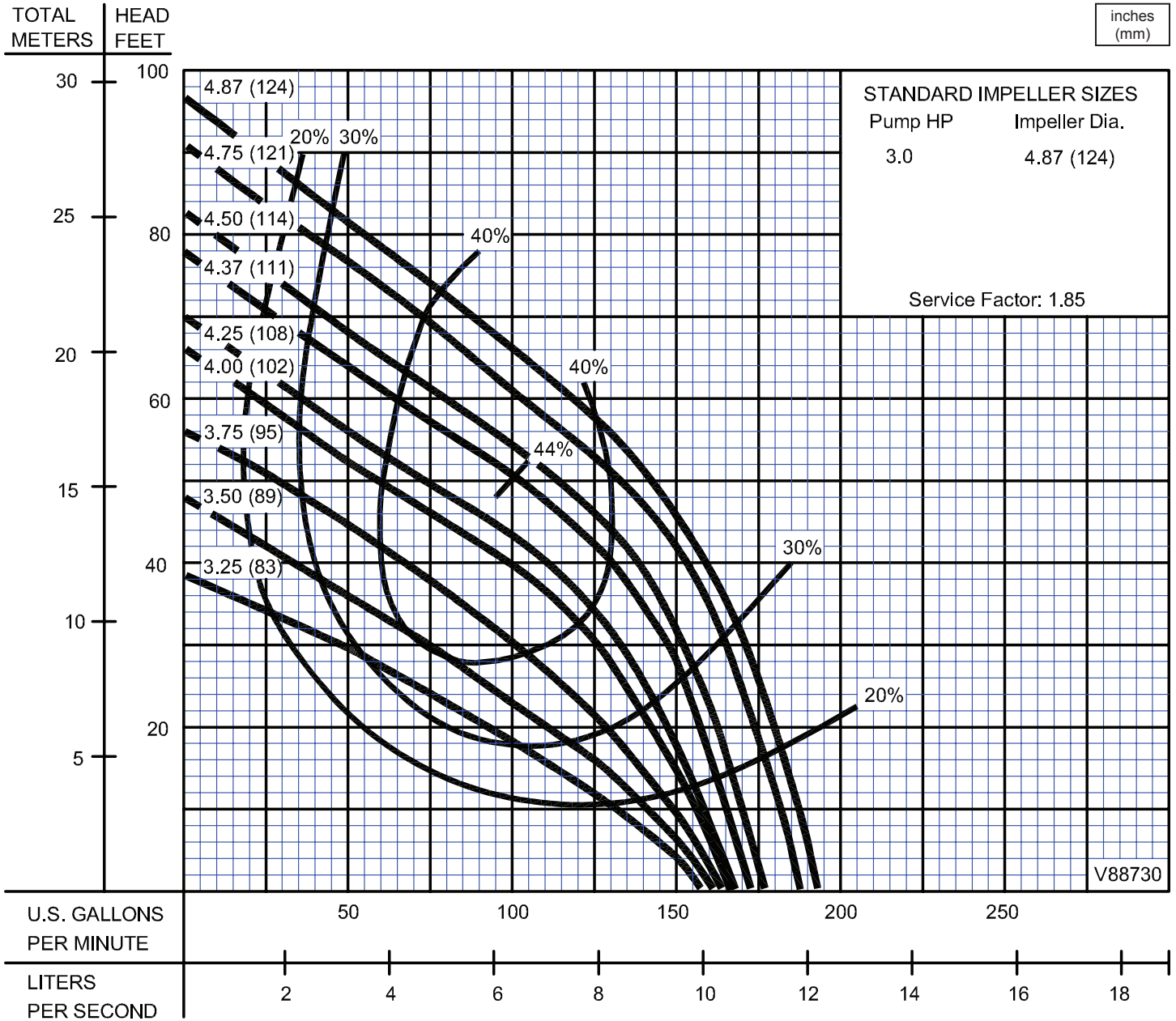
SECTION 1B
PAGE 70
DATE 3/14

CRANE®

A Crane Co. Company

PUMPS & SYSTEMS

USA: (937) 778-8947 • Canada: (905) 457-6223 • International: (937) 615-3598



Testing is performed with water, specific gravity 1.0 @ 68° F @ (20°C), other fluids may vary performance