

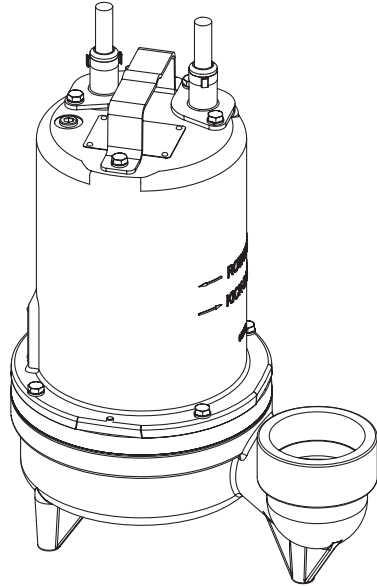
Series 3SE-L

1½" Spherical Solids Handling
Single Seal

BARNES®

www.cranepumps.com

1½", 2" & 3" Discharge



Series: 3SE-L
1.5 & 2HP, 3450RPM, 60Hz



CSA 108 - File No. L16567
UL 778

Sample Specifications: Section 1 Page 3.

DESCRIPTION:

SUBMERSIBLE NON-CLOG SEWAGE PUMP
DESIGNED FOR TYPICAL RAW SEWAGE
APPLICATIONS

DISCHARGE	3" NPT, Female, Vertical
LIQUID TEMPERATURE	104°F (40°C) Continuous
VOLUTE	Cast Iron ASTM, Class 25
MOTOR HOUSING	Cast Iron ASTM, Class 30
SEAL PLATE	Cast Iron ASTM, Class 30
IMPELLER: Design	2 Vane, Semi-open with pump out vanes on back side. Dynamically balanced, ISO G6.3
<i>Material</i>	Cast Iron, Class 25
SHAFT	416 Stainless Steel
SQUARE RINGS	Buna-N
HARDWARE	300 Series Stainless Steel
PAINT	Air Dry Enamel
SEAL: Design	Single Mechanical, Oil filled reservoir
<i>Material</i>	Carbon/Ceramic/Buna-N
	Hardware -300 Series Stainless
CORD ENTRY	30 ft. (9.1m) Cord. Quick connect custom molded for sealing and stain relief.
SPEED	3450 RPM (Nominal)
UPPER BEARING:	
1.5 & 2.0HP	Single Row, Ball, Oil lubricated
<i>Load</i>	Radial
LOWER BEARING	Single Row, Ball, Oil lubricated
<i>Load</i>	Radial & Thrust
MOTOR: Design	NEMA L -Single Phase, NEMA B -Three phase Torque Curve, Oil Filled, Squirrel Cage Induction
<i>Insulation</i>	Class B for 1.5 & 2.0HP
SINGLE PHASE	Permanent Split Capacitor (PSC) Includes Overload Protection in Motor
THREE PHASE	200-230/460 is Tri-Voltage, 575. Requires overload Protection to be included in control panel
OPTIONAL EQUIPMENT	Seal Material, Impeller Trims, Additional cord, Normally Closed Temperature Sensors with cord for 3 phase pumps (Requires relay in control panel).
RECOMMENDED:	
<i>Accessories</i>	Break Away Fitting (BAF) Check Valve Control Panel
<i>Seal Kit PN</i>	130181
<i>Service Kit PN</i>	130208

SECTION 1B
PAGE 66
DATE 7/12

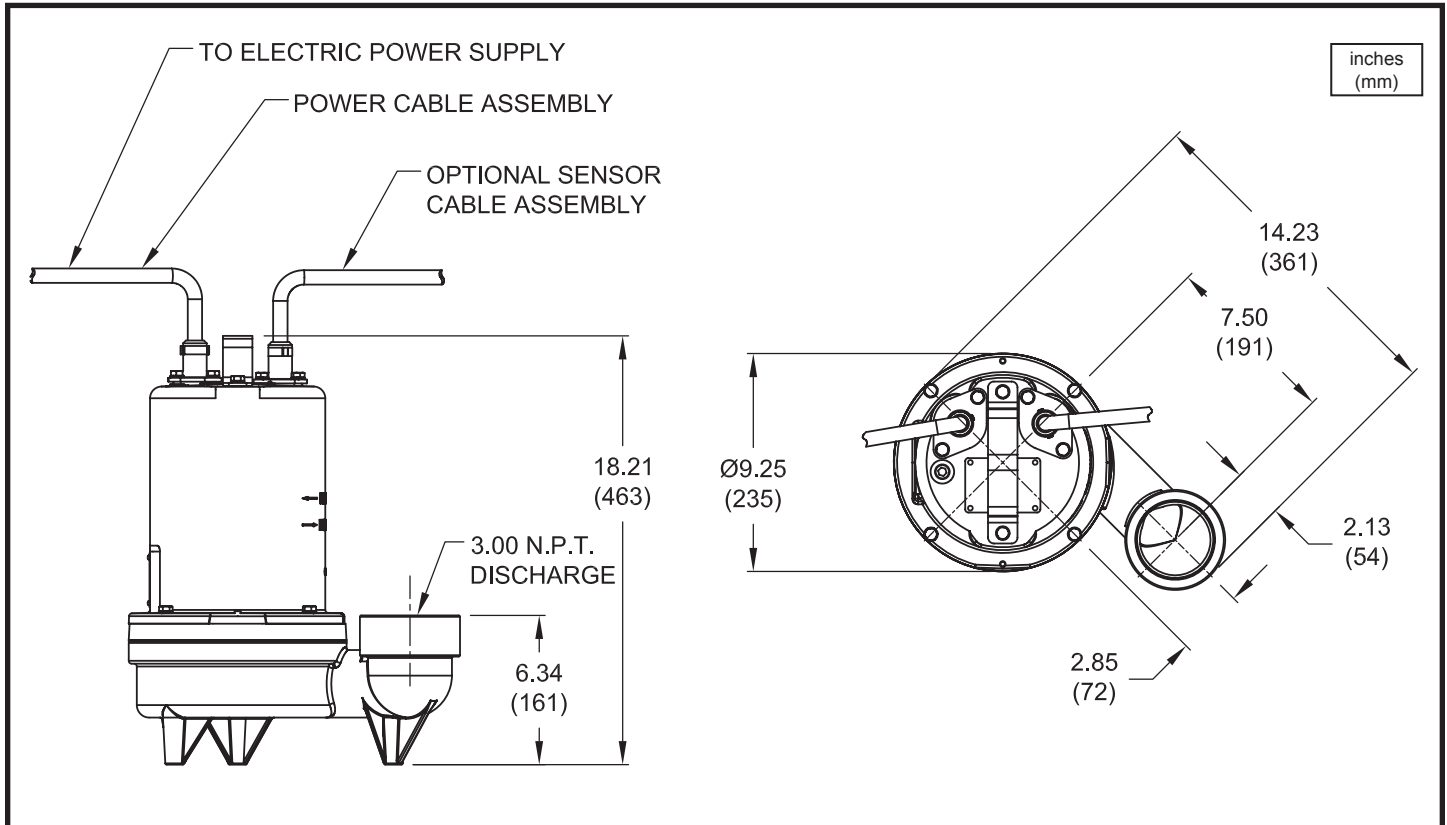
CRANE®

A Crane Co. Company

PUMPS & SYSTEMS

USA: (937) 778-8947 • Canada: (905) 457-6223 • International: (937) 615-3598

1½", 2" & 3" Discharge



MODEL NO	PART NO	HP	VOLT/PH	Hz	RPM (Nom)	NEMA START CODE	FULL LOAD AMPS	LOCKED ROTOR AMPS	CORD SIZE	CORD TYPE	CORD O.D inch (mm)
3SE1522L	132775	1.5	230/1	60	3450	A	12.0	31.0	12/3	SOOW/SOW	0.61 (15.5)
3SE1592L	132842	1.5	200-230/3	60	3450	C/F	9.8/8.6	31.3/36.0	12/4	SOOW/SOW	0.68 (17.3)
3SE1542L	132844	1.5	460/3	60	3450	F	4.3	18.0	14/4	SOOW/SOW	0.57 (14.5)
3SE1552L	132846	1.5	575/3	60	3450	F	3.4	14.4	14/4	SOOW/SOW	0.57 (14.5)
3SE2022L	132848	2.0	230/1	60	3450	A	13.5	31.0	12/3	SOOW/SOW	0.61 (15.5)
3SE2092L	132850	2.0	200-230/3	60	3450	A/C	11.5/10.0	31.3/36.0	12/4	SOOW/SOW	0.68 (17.3)
3SE2042L	132852	2.0	460/3	60	3450	C	5.0	18.0	14/4	SOOW/SOW	0.57 (14.5)
3SE2052L	132854	2.0	575/3	60	3450	C	4.0	14.4	14/4	SOOW/SOW	0.57 (14.5)

OPTIONAL - Temperature sensor cord for 3 phase models are 14-3 / 18-5 SOOW / SOW, 0.53 (13.5mm) / 0.47 (11.9mm) O.D.

IMPORTANT !

- 1.) PUMP MAY BE OPERATED "DRY" FOR EXTENDED PERIODS WITHOUT DAMAGE TO MOTOR AND/OR SEALS.
- 2.) INSTALLATIONS SUCH AS DECORATIVE FOUNTAINS OR WATER FEATURES PROVIDED FOR VISUAL ENJOYMENT MUST BE INSTALLED IN ACCORDANCE WITH THE NATIONAL ELECTRIC CODE ANSI/NFPA 70 AND/OR THE AUTHORITY HAVING JURISDICTION. THIS PUMP IS NOT INTENDED FOR USE IN SWIMMING POOLS, RECREATIONAL WATER PARKS, OR INSTALLATIONS IN WHICH HUMAN CONTACT WITH PUMPED MEDIA IS A COMMON OCCURRENCE.

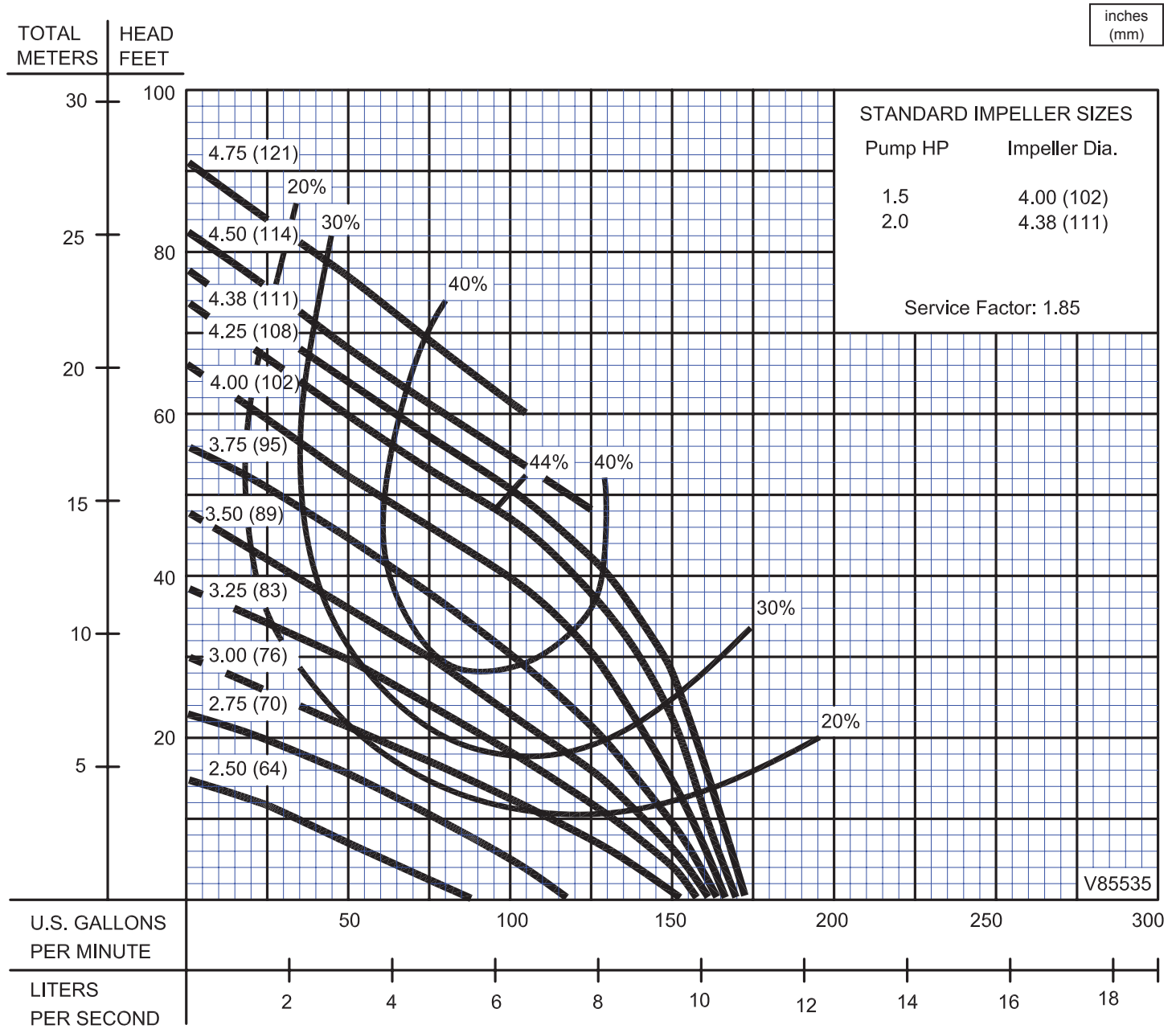
Series 3SE-L

Performance Curve
1.5 & 2.0HP, 3450RPM, 60Hz

BARNES®

www.cranepumps.com

1½", 2" & 3" Discharge



Testing is performed with water, specific gravity 1.0 @ 68° F @ (20°C), other fluids may vary performance

SECTION 1B
PAGE 68
DATE 9/11

CRANE®

A Crane Co. Company

PUMPS & SYSTEMS

USA: (937) 778-8947 • Canada: (905) 457-6223 • International: (937) 615-3598