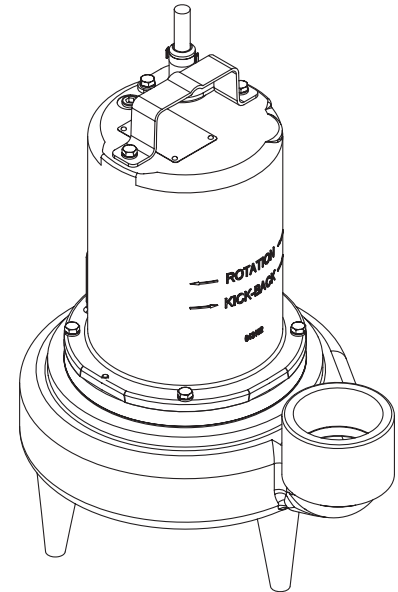


DISCHARGE	3" NPT, Vertical
LIQUID TEMPERATURE	104°F (40°C) Continuous
VOLUTE	Cast Iron ASTM, Class 30
MOTOR HOUSING	Cast Iron ASTM, Class 30
SEAL PLATE	Cast Iron ASTM A-48, Class 30
IMPELLER: Design	2 Vane, Semi-open with pump out vanes on back side. Dynamically balanced, ISO G6.3
<i>Material</i>	Cast Iron, Class 30
SHAFT	416 Stainless Steel
SQUARE RINGS	Buna-N
HARDWARE	300 Series Stainless Steel
PAINT	Air Dry Enamel
SEAL: Design	Single Mechanical
<i>Material</i>	Carbon/Ceramic/Buna-N
	Hardware -300 Series Stainless
CORD ENTRY	30 ft. (9.1m) Cord. Quick connect custom molded for sealing and strain relief
SPEED	1750 RPM (Nominal), 60Hz
UPPER BEARING	Single Row, Ball, Oil lubricated
<i>Load</i>	Radial
LOWER BEARING	Single Row, Ball, Oil lubricated
<i>Load</i>	Radial & Thrust
MOTOR: Design	NEMA L -Single Phase, NEMA B -Three phase Torque Curve, Oil Filled, Squirrel Cage Induction
<i>Insulation</i>	Class B
SINGLE PHASE	Permanent Split Capacitor (PSC) Includes Overload Protection in Motor
THREE PHASE	200-230/460 is Tri-Voltage. 575. Requires Overload Protection to be included in control panel
OPTIONAL EQUIPMENT	Seal Material, Impeller Trims, Additional cord. Normally closed temperature sensor with cord for 3 Phase pumps (Requires relay in control panel)

RECOMMENDED:

<i>Accessories</i>	Break Away Fitting (BAF) Check Valve Control Panel
<i>Seal Kit PN</i>	130181
<i>Service Kit PN</i>	130208



Series: 3SE-L
1.5 & 2HP, 1750RPM, 60Hz



CSA 108 - File No. L16567
UL 778

Sample Specifications: Section 1 Page 3.

DESCRIPTION:

SUBMERSIBLE NON-CLOG SEWAGE PUMP
DESIGNED FOR TYPICAL RAW SEWAGE
APPLICATIONS

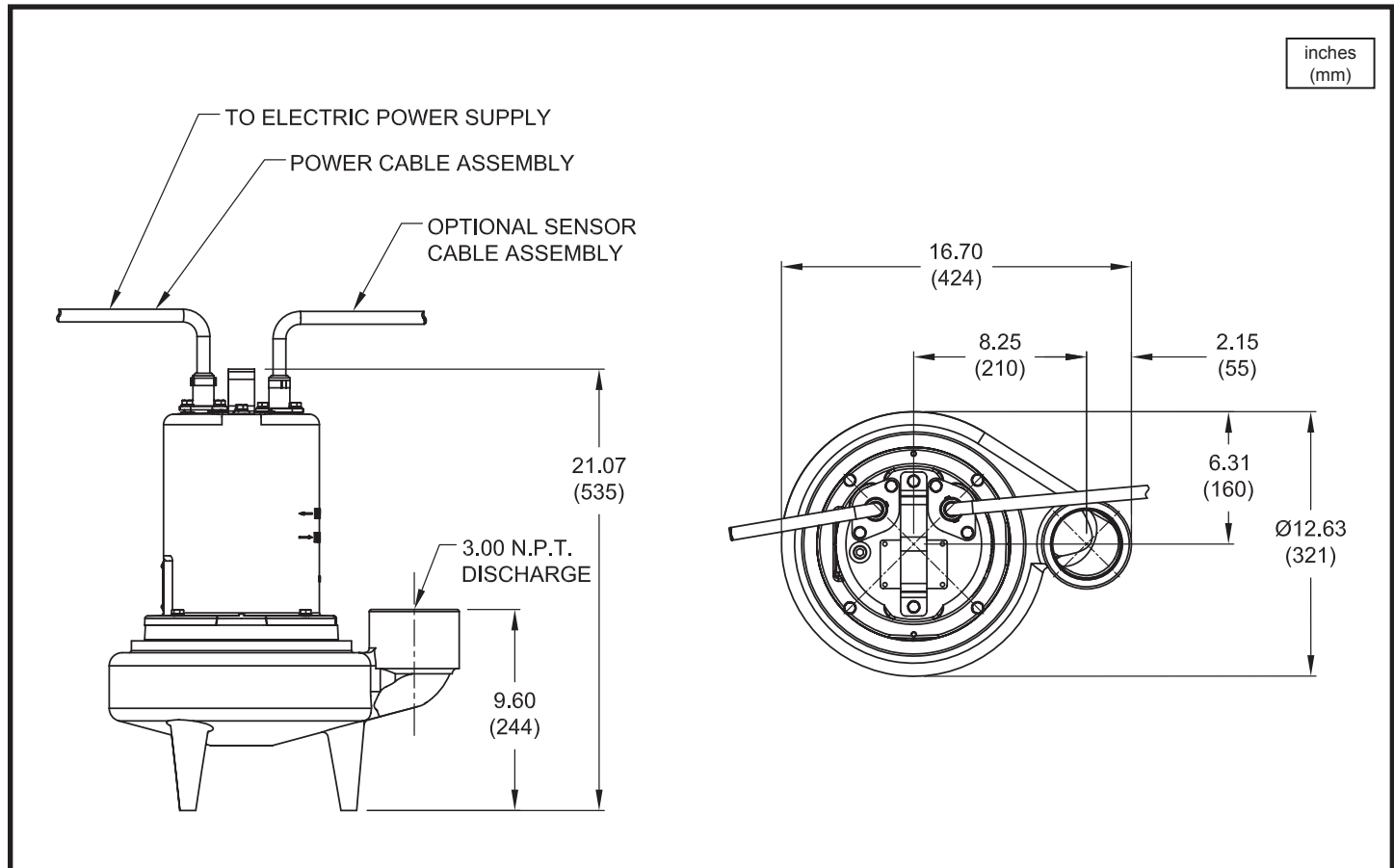
Series 3SE-L

2½" Spherical Solids Handling
Single Seal

BARNES®

www.cranepumps.com

1½", 2" & 3" Discharge



MODEL NO	PART NO	HP	VOLT/PH	Hz	RPM (Nom)	NEMA START CODE	FULL LOAD AMPS	LOCKED ROTOR AMPS	CORD SIZE	CORD TYPE	CORD O.D inch (mm)
3SE1524L	132725	1.5	230/1	60	1750	C	16.0	44.6	12/3	SOOW/SOW	0.610 (15.5)
3SE1594L	132730	1.5	200-230/3	60	1750	D/G	13.3/11.6	35.8/41.2	12/4	SOOW/SOW	0.680 (17.4)
3SE1544L	132735	1.5	460/3	60	1750	G	5.8	20.6	14/4	SOOW/SOW	0.570 (14.5)
3SE1554L	132740	1.5	575/3	60	1750	G	4.6	16.4	14/4	SOOW/SOW	0.570 (14.5)
3SE2024L	132750	2.0	230/1	60	1750	A	19.0	44.6	10/3	SOOW/SOW	0.660 (16.8)
3SE2094L	132752	2.0	200-230/3	60	1750	B/D	15.2/13.2	35.8/41.2	12/4	SOOW/SOW	0.680 (17.4)
3SE2044L	132754	2.0	460/3	60	1750	D	6.6	20.6	14/4	SOOW/SOW	0.570 (14.5)
3SE2054L	132756	2.0	575/3	60	1750	D	5.2	16.4	14/4	SOOW/SOW	0.570 (14.5)

Optional - Temperature Sensor Cord for 3 Phase models are 14/3 & 18/5. SOOW / SOW, 0.530 (13.5mm) / 0.470 (11.9mm) O.D.

IMPORTANT !

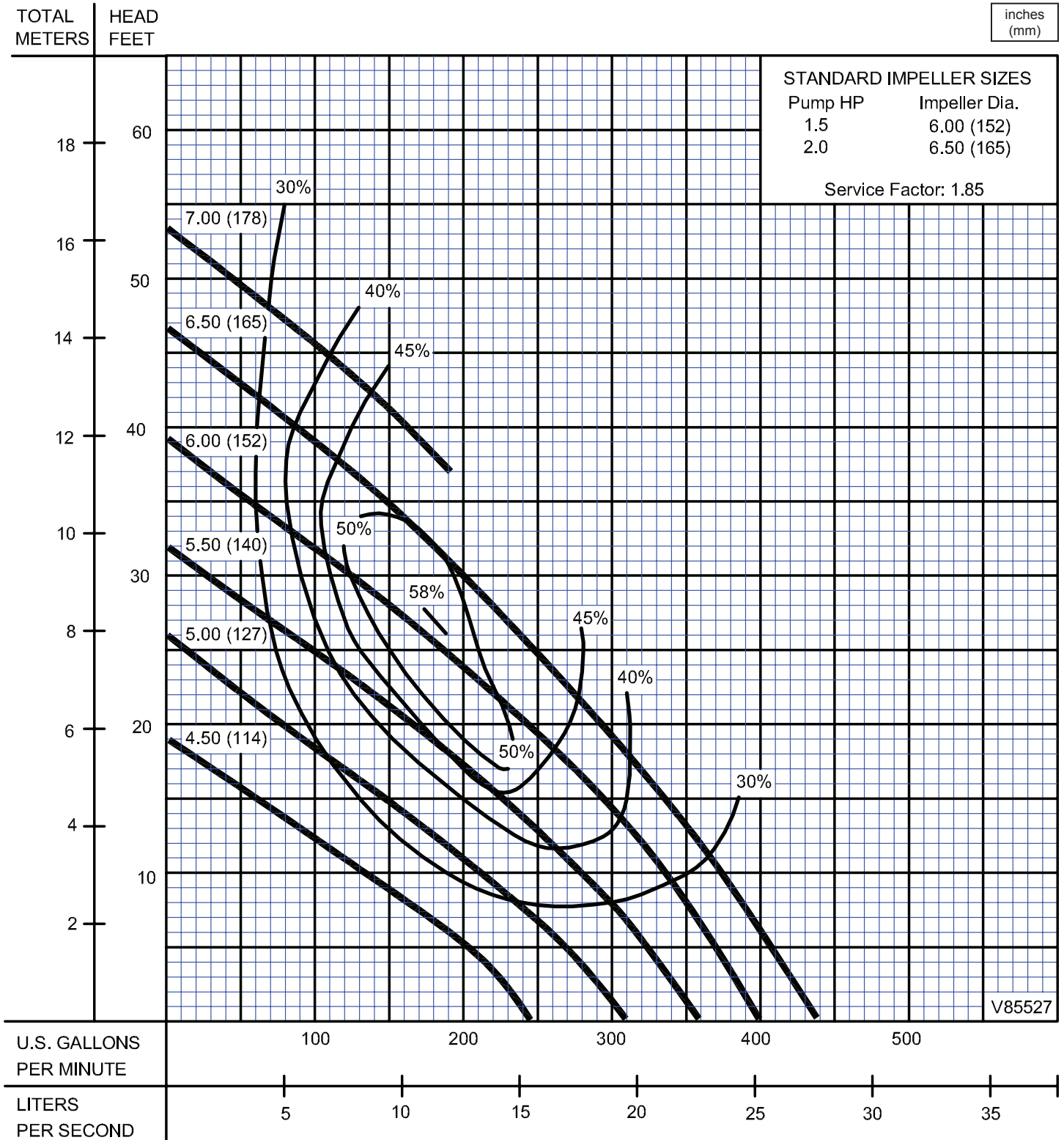
- 1.) PUMP MAY BE OPERATED "DRY" FOR EXTENDED PERIODS WITHOUT DAMAGE TO MOTOR AND/OR SEALS.
- 2.) INSTALLATIONS SUCH AS DECORATIVE FOUNTAINS OR WATER FEATURES PROVIDED FOR VISUAL ENJOYMENT MUST BE INSTALLED IN ACCORDANCE WITH THE NATIONAL ELECTRIC CODE ANSI/NFPA 70 AND/OR THE AUTHORITY HAVING JURISDICTION. THIS PUMP IS NOT INTENDED FOR USE IN SWIMMING POOLS, RECREATIONAL WATER PARKS, OR INSTALLATIONS IN WHICH HUMAN CONTACT WITH PUMPED MEDIA IS A COMMON OCCURRENCE.

SECTION 1B
PAGE 52
DATE 3/14

CRANE
A Crane Co. Company

PUMPS & SYSTEMS

USA: (937) 778-8947 • Canada: (905) 457-6223 • International: (937) 615-3598



Testing is performed with water, specific gravity 1.0 @ 68° F @ (20°C), other fluids may vary performance