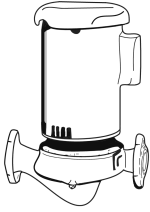


JOB:	REPRESENTATIVE:	
UNIT TAG:	ORDER NO.	DATE:
ENGINEER:	SUBMITTED BY:	DATE:
CONTRACTOR:	APPROVED BY:	DATE:



## Series 90

### Centrifugal Pumps

#### Vertical In-Line Close-Coupled

#### 3500 RPM Three Phase

**FEATURES**

- Lead-Free<sup>†</sup> Bronze Fitted Construction
- Cast Iron Volute
- Lead-Free<sup>†</sup> Brass Impeller

**TYPE OF SEAL**

- Standard Seal  
Buna-Carbon/Ceramic  
0°F to +225°F  
(-18°C to +107°C)

**WORKING PRESSURE**

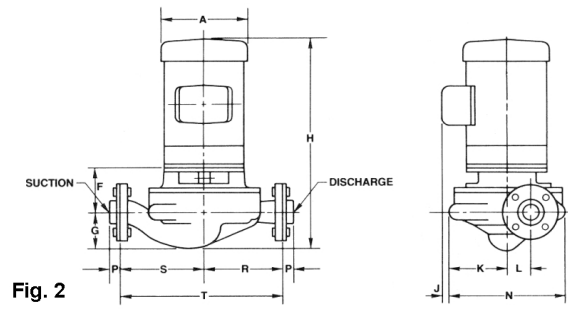
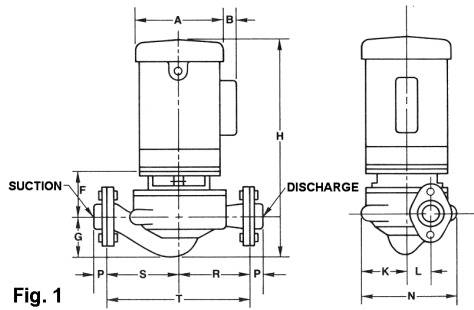
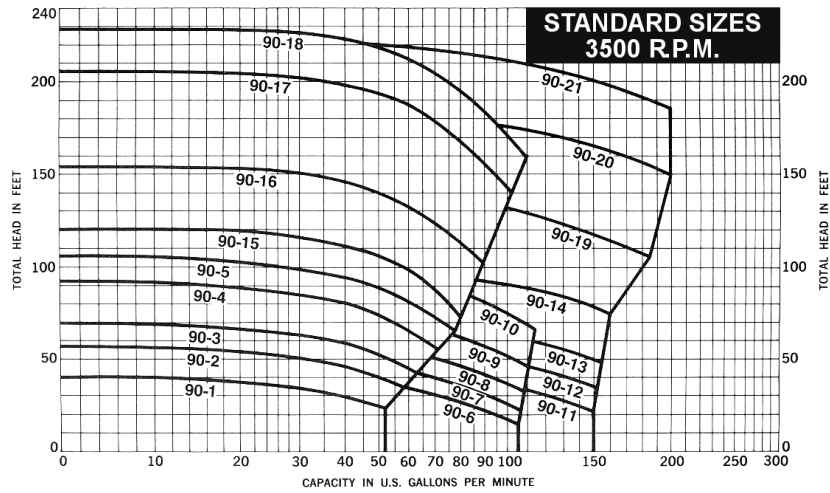
- 175 psi (12 bar) W.P.

<sup>†</sup> Contains less than 0.25% Lead content by weight on the wetted surfaces.

**SCHEDULE**

MODEL NUMBER	PART NUMBER	VOLTAGE	PHASE	CYCLE	TAGGING INFORMATION	QUANTITY
90-15T	179022LF	208-230/460	3	60		
90-16T	179023LF	208-230/460	3	60		
90-17T	179025LF	208-230/460	3	60		
90-18T	179027LF	208-230/460	3	60		
90-19T	179029LF	208-230/460	3	60		
90-20T	179031LF	208-230/460	3	60		
90-21T	179033LF	208-230/460	3	60		

Motors are open drip proof.



3500 RPM FIG. 2

MODEL NO.	PUMP SIZE	SUCTION & DISCHARGE SIZE IN NPT	MOTOR H.P.	FRAME	NO. OF FLANGE BOLTS	DIMENSIONS - IN INCHES (MM)											
						MAX A	F	G	MAX. H	J	K	L	N	P	R	S	T
90-15T	1-1/2A	1-1/2	3	56C	2	7-1/2 (190)	3-11/16 (94)	3-1/4 (83)	18-1/4 (464)	-	4-5/8 (117)	1 (25)	9-1/2 (241)	3/4 (19)	6-1/2 (165)	7 (178)	13-1/2 (343)
90-16T	1-1/2A	1-1/2	5	56C	2	7-1/2 (190)	3-11/16 (94)	3-1/4 (83)	19-3/4 (502)	-	4-5/8 (117)	1 (25)	9-1/2 (241)	3/4 (19)	6-1/2 (165)	7 (178)	13-1/2 (343)
90-17T	1-1/2A	1-1/2	7-1/2	184JM	2	11-3/4 (298)	4-9/16 (116)	3-1/4 (83)	23-1/8 (587)	3-1/2 (89)	4-5/8 (117)	1 (25)	9-1/2 (241)	3/4 (19)	6-1/2 (165)	7 (178)	13-1/2 (343)
90-18T	1-1/2A	1-1/2	10	213JM	2	14 (356)	4-9/16 (116)	3-1/4 (83)	27-1/8 (689)	4-1/8 (105)	4-5/8 (117)	1 (25)	9-1/2 (241)	13/16 (21)	6-1/2 (165)	7 (178)	13-1/2 (343)
90-19T	2A	2	7-1/2	184JM	4	11-3/4 (298)	4-9/16 (116)	3-1/2 (89)	23-3/8 (594)	3-3/8 (86)	4-3/4 (121)	1 (25)	9-7/8 (251)	13/16 (21)	6-1/2 (165)	7-1/2 (190)	14 (356)
90-20T	2A	2	10	213JM	4	14 (356)	4-9/16 (116)	3-1/2 (89)	27-3/8 (695)	4 (102)	4-3/4 (121)	1 (25)	9-7/8 (251)	13/16 (21)	6-1/2 (165)	7-1/2 (190)	14 (356)
90-21T	2A	2	15	215JM	4	14 (356)	4-9/16 (116)	3-1/2 (89)	27-3/8 (695)	4 (102)	4-3/4 (121)	1 (25)	9-7/8 (251)	13/16 (21)	6-1/2 (165)	7-1/2 (190)	14 (356)

Dimensions are subject to change. Not to be used for construction purposes unless certified.

Xylem Inc.  
 8200 N. Austin Avenue  
 Morton Grove, IL 60053  
 Phone: (847)966-3700  
 Fax: (847)965-8379  
 www.xyleminc.com/brands/bellgossett



Bell & Gossett is a trademark of Xylem Inc. or one of its subsidiaries.  
 © 2012 Xylem Inc.