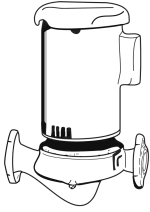


JOB:	REPRESENTATIVE:	
UNIT TAG:	ORDER NO.	DATE:
ENGINEER:	SUBMITTED BY:	DATE:
CONTRACTOR:	APPROVED BY:	DATE:



Series 90

Centrifugal Pumps

Vertical In-Line Close-Coupled

3500 RPM Single Phase

FEATURES

- Lead-Free[†] Bronze Fitted Construction
- Cast Iron Volute
- Lead-Free[†] Brass Impeller

TYPE OF SEAL

- Standard Seal
Buna-Carbon/Ceramic
0°F to +225°F
(-18°C to +107°C)

WORKING PRESSURE

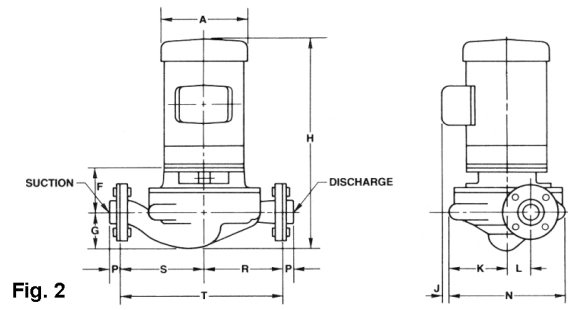
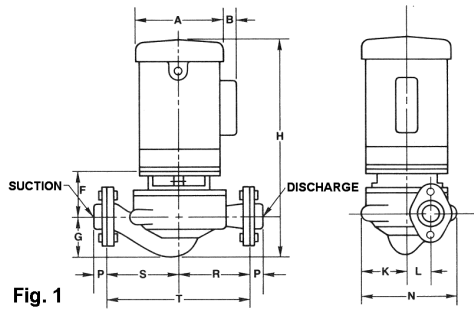
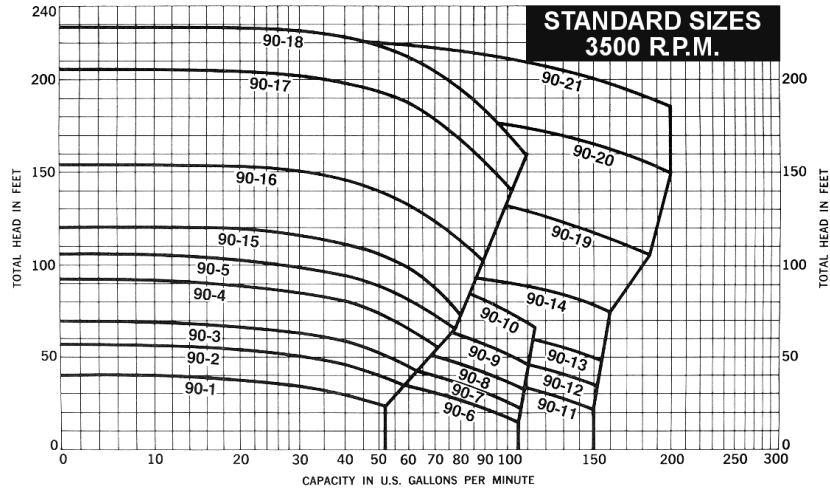
- 175 psi (12 bar) W.P.

[†] Contains less than 0.25% Lead content by weight on wetted surfaces.

SCHEDULE

MODEL NUMBER	PART NUMBER	VOLTAGE	PHASE	CYCLE	TAGGING INFORMATION	QUANTITY
90-1S	179000LF	115/230	1	60		
90-2S	179002LF	115/230	1	60		
90-3S	179004LF	115/230	1	60		
90-4S	179006LF	115/230	1	60		
90-6S	179009LF	115/230	1	60		
90-7S	179011LF	115/230	1	60		
90-8S	179013LF	115/230	1	60		
90-11S	179017LF	115/230	1	60		

All single phase motors have built-in overload protection. Motors are open drip proof.



3500 RPM SINGLE PHASE FIG. 1 - ALL MOTORS ARE FRAME NO. 56

MODEL NO.	PUMP SIZE	SUCTION & DISCHARGE SIZE IN NPT	MOTOR H.P.	NO. OF FLANGE BOLTS	DIMENSIONS - IN INCHES (MM)											
					MAX A	B	F	G	MAX. H	K	L	N	P	R	S	T
90-1S	1-1/4AA	1-1/4	1/2	2	7-1/2 (190)	1-1/2 (38)	2-3/4 (70)	3-7/16 (87)	15-1/4 (387)	3-5/8 (92)	1-3/8 (35)	7-1/2 (190)	3/4 (19)	5 (127)	6 (152)	11 (279)
90-2S	1-1/4AA	1-1/4	3/4	2	7-1/2 (190)	1-1/2 (38)	2-3/4 (70)	3-7/16 (87)	15-3/4 (400)	3-5/8 (92)	1-3/8 (35)	7-1/2 (190)	3/4 (19)	5 (127)	6 (152)	11 (279)
90-3S	1-1/4AA	1-1/4	1	2	7-1/2 (190)	1-1/2 (38)	2-3/4 (70)	3-7/16 (87)	16-1/4 (413)	3-5/8 (92)	1-3/8 (35)	7-1/2 (190)	3/4 (19)	5 (127)	6 (152)	11 (279)
90-4S	1-1/4AA	1-1/4	1-1/2	2	7-1/2 (190)	1-1/2 (38)	2-3/4 (70)	3-7/16 (87)	17-1/2 (444)	3-5/8 (92)	1-3/8 (35)	7-1/2 (190)	3/4 (19)	5 (127)	6 (152)	11 (279)
90-6S	1-1/2AA	1-1/2	3/4	2	7-1/2 (190)	1-1/2 (38)	2-3/4 (70)	3-5/8 (92)	16 (406)	3-3/4 (95)	1-3/8 (35)	7-7/8 (200)	3/4 (19)	5 (127)	6-1/2 (165)	11-1/2 (292)
90-7S	1-1/2AA	1-1/2	1	2	7-1/2 (190)	1-1/2 (38)	2-7/8 (73)	3-5/8 (92)	16-1/2 (419)	3-3/4 (95)	1-3/8 (35)	7-7/8 (200)	3/4 (19)	5 (127)	6-1/2 (165)	11-1/2 (292)
90-8S	1-1/2AA	1-1/2	1-1/2	2	7-1/2 (190)	1-1/2 (38)	2-7/8 (73)	3-5/8 (92)	17-3/4 (451)	3-3/4 (95)	1-3/8 (35)	7-7/8 (200)	3/4 (19)	5 (127)	6-1/2 (165)	11-1/2 (292)
90-11S	2AA	2	1-1/2	4	7-1/2 (190)	1-1/2 (38)	3 (76)	3-3/4 (95)	18 (457)	3-3/4 (95)	1-3/8 (35)	8 (203)	13/16 (21)	5 (127)	6-1/2 (165)	11-1/2 (292)

Dimensions are subject to change. Not to be used for construction purposes unless certified.

Xylem Inc.
 8200 N. Austin Avenue
 Morton Grove, IL 60053
 Phone: (847)966-3700
 Fax: (847)965-8379
 www.xyleminc.com/brands/bellgossett



Bell & Gossett is a trademark of Xylem Inc. or one of its subsidiaries.
 © 2012 Xylem Inc.