



Replacement Parts List

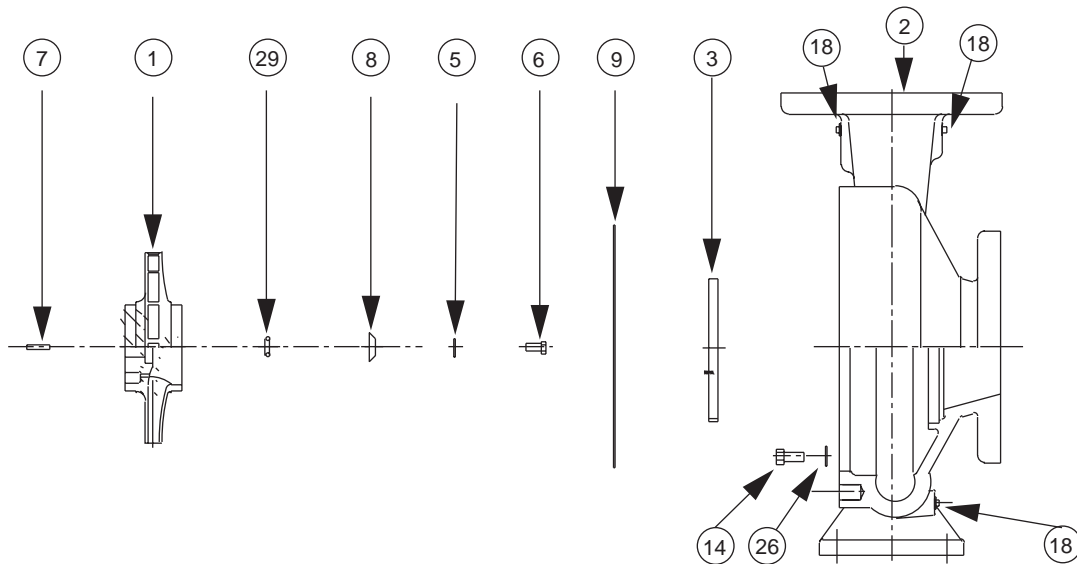
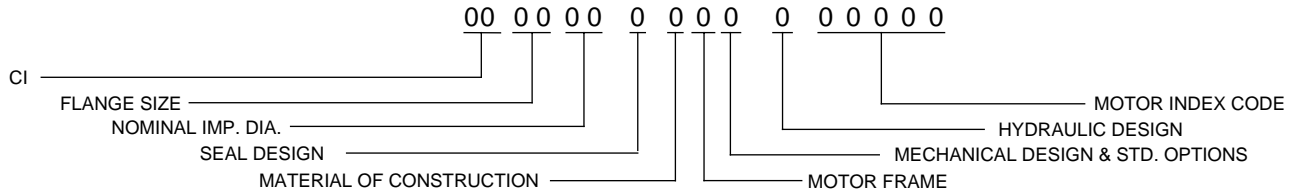
304-375

CI 3009 & 5009

SUPERSEDES: 304-375 February 28, 2003

EFFECTIVE: January 31, 2004

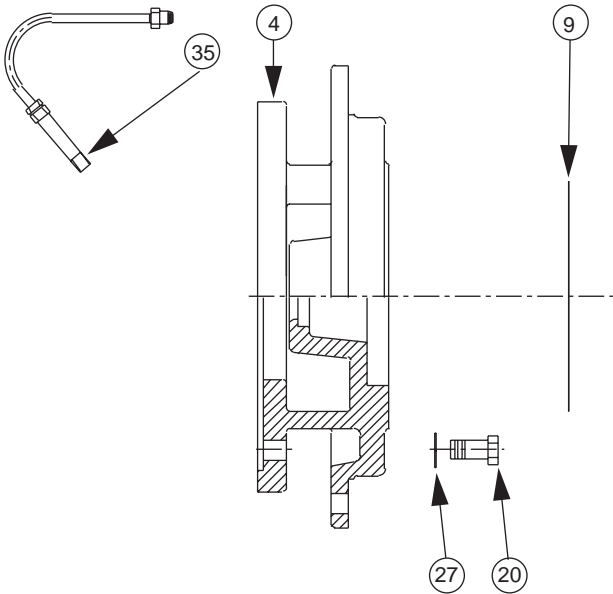
WHEN SELECTING AND ORDERING PARTS, ALWAYS REFER TO SERIAL NUMBER ON NAMEPLATE



ITEM NO.	NO. REQ.	DESCRIPTION	3009	3009	5009	5009
			FRAME H,J OR K	FRAME L,M OR N	FRAME H,J OR K	FRAME L,M OR N
1	1	IMPELLER (CI)	953-1037RP	953-1038RP	953-1109RP	953-1110RP
1	1	IMPELLER (BRZ)	953-1039RP	953-1040RP	953-1111RP	953-1112RP
2	1	CASING (125#)(NO W/R)	953-1035RP	953-1035RP	953-1117RP	953-1117RP
2	1	CASING (250#)(NO W/R)	953-1036RP	953-1036RP	953-1248RP	953-1248RP
2	1	CASING (125#)(BRZ W/R)	953-2306RP	953-2306RP	953-2308RP	953-2308RP
2	1	CASING (250#)(BRZ W/R)	953-2307RP	953-2307RP	953-2309RP	953-2309RP
3	1(W/R)	WEAR RING (BRZ)	953-1387RP	953-1387RP	LE5263-12RP	LE5263-12RP
5	1	DOWDY WASHER	951-2578RP	951-2579RP	951-2578RP	951-2579RP
6	1	IMPELLER BOLT (SST)	3/8NCX1LG	1/2NCX1-1/2LG	3/8NCX1LG	1/2NCX1-1/2LG
7	1	IMPELLER KEY (SST)	3/16X3/16X1-1/8LG	1/4X1/4X2LG	3/16X3/16X1-1/8LG	1/4X1/4X2LG
8	1	IMPELLER WASHER	953-828RP	953-829RP	953-828RP	953-829RP
9	1	GASKET (CASING)	953-1009RP	953-1009RP	953-1009RP	953-1009RP
14	12	CASING BOLT (ST)	3/8NCX7/8LG	3/8NCX7/8LG	3/8NCX7/8LG	3/8NCX7/8LG
18	3	PIPE PLUG (BRS)	1/4 NPT	1/4 NPT	1/4 NPT	1/4 NPT
26	12	CASING WASHER (ZN)	3/8	3/8	3/8	3/8
29	1	IMPELLER GASKET	953-830RP	953-759RP	953-830RP	953-759RP

AW-676 REV A

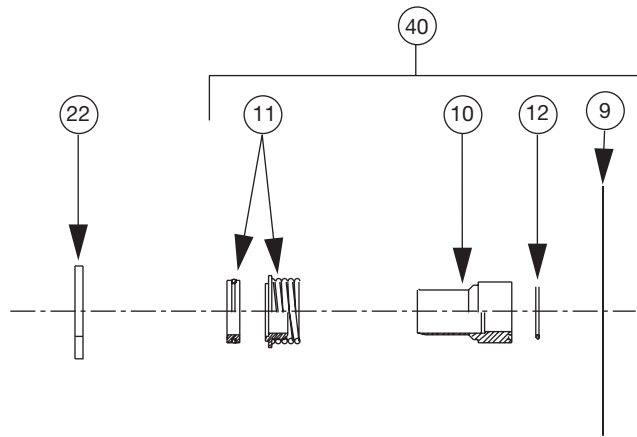
CI Series Cover Replacement Parts



ITEM NO.	NO. REQ.	DESCRIPTION	MOTOR FRAME					MODEL NO
			H OR J	K	L	M OR N	R	
4	1	COVER	953-1242RP	953-1243RP	953-1244RP	953-1631RP	-----	1509
4	1	COVER	953-849RP	953-853RP	953-900RP	953-903RP	-----	2509
4	1	COVER	953-850RP	953-854RP	953-901RP	953-904RP	-----	3009
4	1	COVER	953-1755RP	953-1756RP	953-1757RP	-----	-----	4009
4	1	COVER	953-1131RP	953-1132RP	953-1129RP	-----	-----	5009
4	1	COVER	953-1755RP	953-1756RP	953-1757RP	-----	-----	5095
4	1	COVER	-----	953-1819RP	953-1820RP	953-1821RP	-----	6009
9	1	GASKET (CASING)	SEE PAGE 1	SEE PAGE 1	SEE PAGE 1	SEE PAGE 1	-----	ALL ABOVE
20	4	MOTOR BOLT	3/8NCX1LG	1/2NCX1-1/4LG	1/2NCX1-1/2LG	5/8NCX1-1/4LG	-----	
27	4	MOTOR WASHER	3/8	1/2	1/2	5/8	-----	
35	1	TUBE KIT	951-1547RP	951-1547RP	951-1547RP	951-1547RP	-----	

AW-684 REV B

CI Series Seal Replacement Parts



1206, 1506, 2506		1206, 1506, 2506	
1207, 1507, 2007, 2507, 3007, 4075, 4007, 5007	1207, 1507, 2007, 2507, 3007, 4075, 4007, 5007	1207, 1507, 2007, 2507, 3007, 4075, 4007, 5007	1207, 1507, 2007, 2507, 3007, 4075, 4007, 5007
2508	2508	2508	2508
1509, 2009, 2509, 3009, 4009, 5009, 5095, 6009	1509, 2009, 2509, 3009, 4009, 5009, 5095, 6009	1509, 2009, 2509, 3009, 4009, 5009, 5095, 6009	1509, 2009, 2509, 3009, 4009, 5009, 5095, 6009
1511, 2511, 3011, 4011, 5011	1511, 2511, 3011, 4011, 5011, 6011	1511, 2511, 3011, 4011, 5011	1511, 2511, 3011, 4011, 5011, 6011
2510	2510	2510	2510
2513, 3013, 4013, 5013	2513, 3013, 4013, 5013 6013	2513, 3013, 4013, 5013	2513, 3013, 4013, 5013 6013

ITEM NO.	NO. REQ.	DESCRIPTION	MOTOR FRAME		MOTOR FRAME	
			H, J OR K	L,M,N OR R	H, J OR K	L,M,N OR R
			MECHANICAL DES. A (125#)		MECHANICAL DES. B (250#)	
9	1	GASKET (CASING)	SEE PAGE 1	SEE PAGE 1	SEE PAGE 1	SEE PAGE 1
10	1	SLEEVE (SS)	953-1118RP	953-1170RP	953-1118RP	953-1170RP
10	1	SLEEVE (BRZ)	953-1119RP	953-1171RP	953-1119RP	953-1171RP
11	1	SEAL (TYPE B)	951-3157RP	951-3158RP	951-3766RP	951-5158RP
11	1	SEAL (TYPE D)	951-3159RP	951-3160RP	951-3781RP	951-5159RP
11	1	SEAL (TYPE E)	951-3161RP	951-3162RP	951-3782RP	951-5160RP
12	1	SLEEVE GASKET	953-830RP	951-3042RP	953-830RP	951-3042RP
22	1	DEFLECTOR	900-044RP	951-3065RP	900-044RP	951-3065RP
40	1	SEAL KIT (TYPE B) SS	953-1549-1RP	953-1549-4RP	953-1549-7RP	953-1549-10RP
40	1	SEAL KIT (TYPE B) BRZ	953-1549-1BRP	953-1549-4BRP	953-1549-7BRP	953-1549-10BRP
40	1	SEAL KIT (TYPE D) SS	953-1549-2RP	953-1549-5RP	953-1549-8RP	953-1549-11RP
40	1	SEAL KIT (TYPE D) BRZ	953-1549-2BRP	953-1549-5BRP	953-1549-8BRP	953-1549-11BRP
40	1	SEAL KIT (TYPE E) SS	953-1549-3RP	953-1549-6RP	953-1549-9RP	953-1549-12RP
40	1	SEAL KIT (TYPE E) BRZ	953-1549-3BRP	953-1549-6BRP	953-1549-9BRP	953-1549-12BRP

AW-687 REV C

Do it Once. Do it Right.™

TACO, INC., 1160 Cranston Street, Cranston, RI 02920 Telephone: (401) 942-8000 FAX: (401) 942-2360.
TACO (Canada), Ltd., 6180 Ordan Drive, Mississauga, Ontario L5T 2B3. Telephone: 905/564-9422. FAX: 905/564-9436.

Visit our web site at: <http://www.taco-hvac.com>

Printed in USA
Copyright 2004
TACO, Inc.