



Replacement Parts List

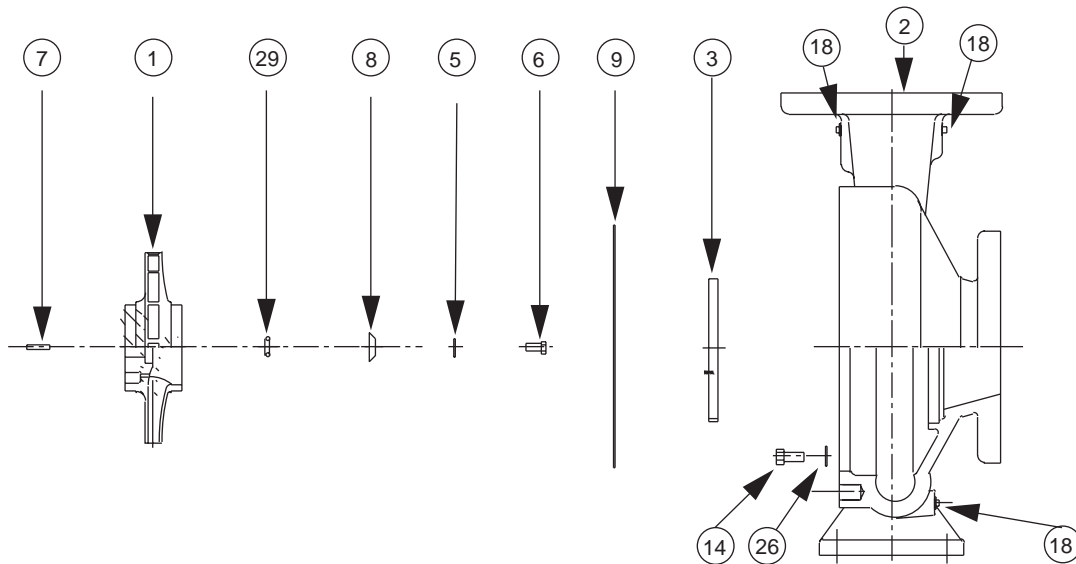
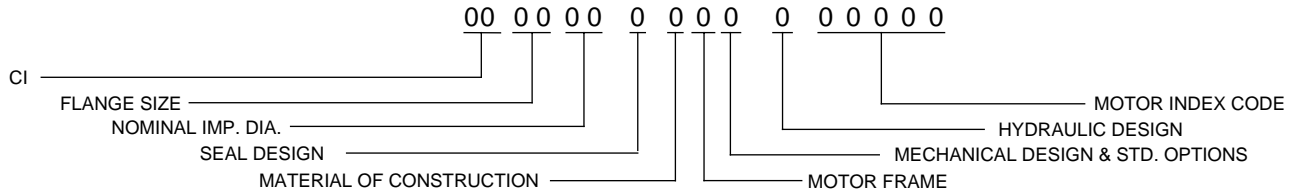
304-372

CI 3007 & 4007

SUPERSEDES: 304-372 February 28, 2003

EFFECTIVE: January 31, 2004

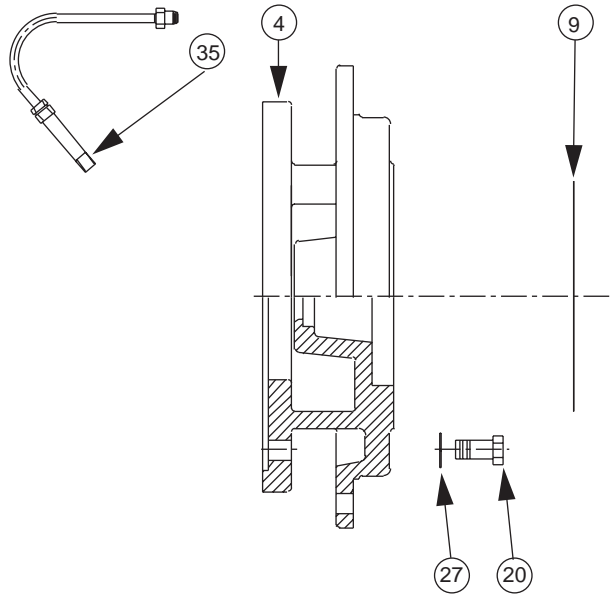
WHEN SELECTING AND ORDERING PARTS, ALWAYS REFER TO SERIAL NUMBER ON NAMEPLATE



ITEM NO.	NO. REQ.	DESCRIPTION	3007	3007	4007	4007
			FRAME H,J OR K	FRAME L,M OR N	FRAME H,J OR K	FRAME L,M OR N
1	1	IMPELLER (CI)	953-560RP	953-561RP	953-1370RP	953-1372RP
1	1	IMPELLER (BRZ)	953-1055RP	953-1056RP	953-1371RP	953-1373RP
2	1	CASING (125#)(NO W/R)	953-590RP	953-590RP	953-1378RP	953-1378RP
2	1	CASING (250#)(NO W/R)	953-591RP	953-591RP	953-1379RP	953-1379RP
2	1	CASING (125#)(BRZ W/R)	953-2292RP	953-2292RP	953-2296RP	953-2296RP
2	1	CASING (250#)(BRZ W/R)	953-2293RP	953-2293RP	953-2297RP	953-2297RP
3	1(W/R)	WEAR RING (BRZ)	953-598RP	953-598RP	953-1386RP	953-1386RP
5	1	DOWDY WASHER	951-2578RP	951-2579RP	951-2578RP	951-2579RP
6	1	IMPELLER BOLT (SST)	3/8NCX1LG	1/2NCX1-1/2LG	3/8NCX1LG	1/2NCX1-1/2LG
7	1	IMPELLER KEY (SST)	3/16X3/16X1-1/8LG	1/4X1/4X2LG	3/16X3/16X1-1/8LG	1/4X1/4X2LG
8	1	IMPELLER WASHER	953-828RP	953-829RP	953-828RP	953-829RP
9	1	GASKET (CASING)	953-568RP	953-568RP	953-568RP	953-568RP
14	8	CASING BOLT (ST)	3/8NCX1LG	3/8NCX1LG	3/8NCX1LG	3/8NCX1LG
18	3	PIPE PLUG (BRS)	1/4 NPT	1/4 NPT	1/4 NPT	1/4 NPT
26	8	CASING WASHER (ZN)	3/8	3/8	3/8	3/8
29	1	IMPELLER GASKET	953-830RP	953-759RP	953-830RP	953-759RP

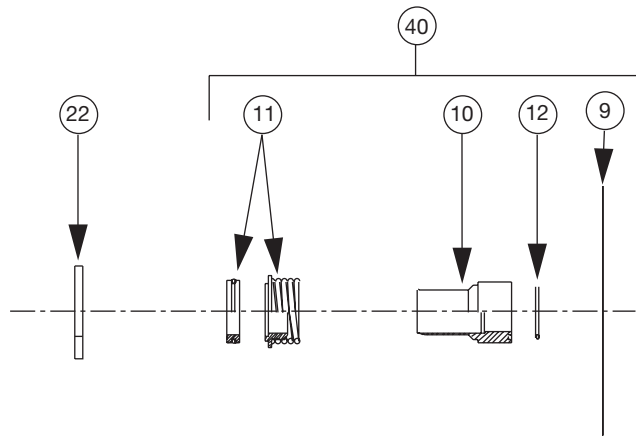
AW-673 REV A

CI Cover Replacement Parts



ITEM NO.	NO. REQ.	DESCRIPTION	MOTOR FRAME					MODEL NO
			H OR J	K	L	M OR N	R	
4	1	COVER	953-1168RP	953-1169RP				1207
4	1	COVER	953-1161RP	953-1162RP	953-1163RP			1507
4	1	COVER	953-1164RP	953-1165RP	953-1166RP	953-1167RP		2507
4	1	COVER	953-562RP	953-564RP	953-566RP	953-567RP		3007
4	1	COVER	953-1788RP	953-1789RP	953-1790RP	953-1791RP		4075
4	1	COVER	953-1380RP	953-1381RP	953-1382RP	953-1383RP		4007
4	1	COVER	953-1742RP	953-1743RP				5007
9	1	GASKET (CASING)	SEE PAGE 1	SEE PAGE 1	SEE PAGE 1	SEE PAGE 1		ALL ABOVE
20	4	MOTOR BOLT	3/8NCX7/8LG	1/2NCX1LG	1/2NCX1LG	5/8NCX1-1/4LG		
27	4	MOTOR WASHER	3/8	1/2	1/2	5/8		
35	1	TUBE KIT	951-1547RP	951-1547RP	951-1547RP	951-1547RP		

CI Series Seal Replacement Parts



1206, 1506, 2506		1206, 1506, 2506	
1207, 1507, 2007, 2507, 3007, 4075, 4007, 5007	1207, 1507, 2007, 2507, 3007, 4075, 4007, 5007	1207, 1507, 2007, 2507, 3007, 4075, 4007, 5007	1207, 1507, 2007, 2507, 3007, 4075, 4007, 5007
2508	2508	2508	2508
1509, 2009, 2509, 3009, 4009, 5009, 5095, 6009	1509, 2009, 2509, 3009, 4009, 5009, 5095, 6009	1509, 2009, 2509, 3009, 4009, 5009, 5095, 6009	1509, 2009, 2509, 3009, 4009, 5009, 5095, 6009
1511, 2511, 3011, 4011, 5011	1511, 2511, 3011, 4011, 5011, 6011	1511, 2511, 3011, 4011, 5011	1511, 2511, 3011, 4011, 5011, 6011
2510	2510	2510	2510
2513, 3013, 4013, 5013	2513, 3013, 4013, 5013, 6013	2513, 3013, 4013, 5013	2513, 3013, 4013, 5013, 6013

ITEM NO.	NO. REQ.	DESCRIPTION	MOTOR FRAME		MOTOR FRAME	
			H, J OR K	L,M,N OR R	H, J OR K	L,M,N OR R
			MECHANICAL DES. A (125#)		MECHANICAL DES. B (250#)	
9	1	GASKET (CASING)	SEE PAGE 1	SEE PAGE 1	SEE PAGE 1	SEE PAGE 1
10	1	SLEEVE (SS)	953-1118RP	953-1170RP	953-1118RP	953-1170RP
10	1	SLEEVE (BRZ)	953-1119RP	953-1171RP	953-1119RP	953-1171RP
11	1	SEAL (TYPE B)	951-3157RP	951-3158RP	951-3766RP	951-5158RP
11	1	SEAL (TYPE D)	951-3159RP	951-3160RP	951-3781RP	951-5159RP
11	1	SEAL (TYPE E)	951-3161RP	951-3162RP	951-3782RP	951-5160RP
12	1	SLEEVE GASKET	953-830RP	951-3042RP	953-830RP	951-3042RP
22	1	DEFLECTOR	900-044RP	951-3065RP	900-044RP	951-3065RP
40	1	SEAL KIT (TYPE B) SS	953-1549-1RP	953-1549-4RP	953-1549-7RP	953-1549-10RP
40	1	SEAL KIT (TYPE B) BRZ	953-1549-1BRP	953-1549-4BRP	953-1549-7BRP	953-1549-10BRP
40	1	SEAL KIT (TYPE D) SS	953-1549-2RP	953-1549-5RP	953-1549-8RP	953-1549-11RP
40	1	SEAL KIT (TYPE D) BRZ	953-1549-2BRP	953-1549-5BRP	953-1549-8BRP	953-1549-11BRP
40	1	SEAL KIT (TYPE E) SS	953-1549-3RP	953-1549-6RP	953-1549-9RP	953-1549-12RP
40	1	SEAL KIT (TYPE E) BRZ	953-1549-3BRP	953-1549-6BRP	953-1549-9BRP	953-1549-12BRP

AW-687 REV C

Do it Once. Do it Right.™

TACO, INC., 1160 Cranston Street, Cranston, RI 02920 Telephone: (401) 942-8000 FAX: (401) 942-2360.
TACO (Canada), Ltd., 6180 Ordan Drive, Mississauga, Ontario L5T 2B3. Telephone: 905/564-9422. FAX: 905/564-9436.

Visit our web site at: <http://www.taco-hvac.com>

Printed in USA
Copyright 2004
TACO, Inc.