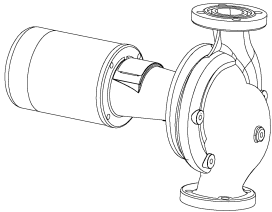


JOB:	REPRESENTATIVE:
UNIT TAG:	ORDER NO.
ENGINEER:	SUBMITTED BY:
CONTRACTOR:	APPROVED BY:
	DATE:
	DATE:
	DATE:



# 2x2x7

## Series 60<sup>®</sup>

### Maintenance Free In-Line Mounted Pump

**SPECIFICATIONS**

FLOW \_\_\_\_\_ HEAD \_\_\_\_\_

HP \_\_\_\_\_ RPM \_\_\_\_\_

VOLTS \_\_\_\_\_

CYCLE \_\_\_\_\_ PHASE \_\_\_\_\_

ENCLOSURE \_\_\_\_\_

APPROX. WEIGHT \_\_\_\_\_

SPECIALS \_\_\_\_\_

**MATERIALS OF CONSTRUCTION**

- BRONZE FITTED     ALL BRONZE

**FEATURES**

- MAINTENANCE FREE PUMP
- INTERNALLY SELF-FLUSHING MECHANICAL SEAL
- XLII<sup>®</sup> LUBRICATION SYSTEM
- THREE YEAR WARRANTY
- FACTORY TEST

**WORKING PRESSURE**

- 175 psi (12 bar) W.P.

**TYPE OF SEAL**

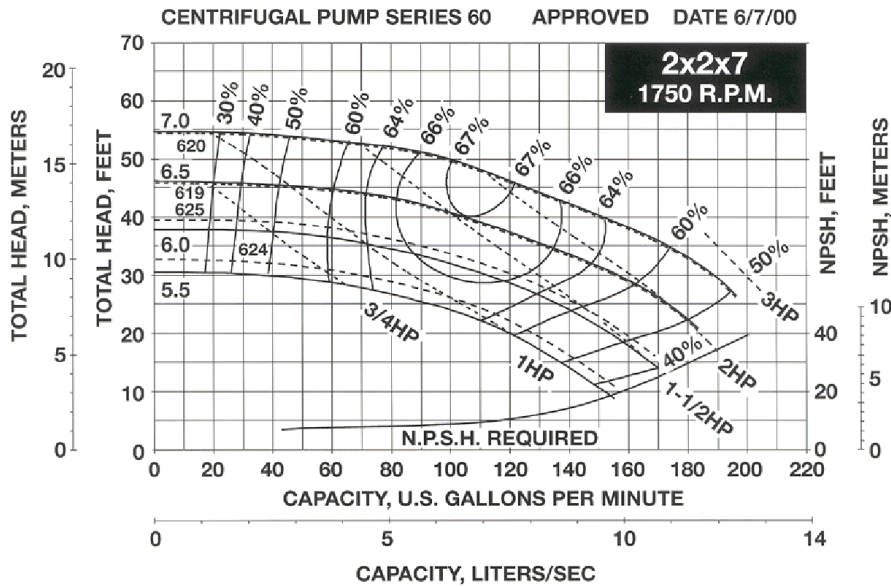
- BUNA/CARBON-CERAMIC (STANDARD)  
(-20 °F TO 225 °F)

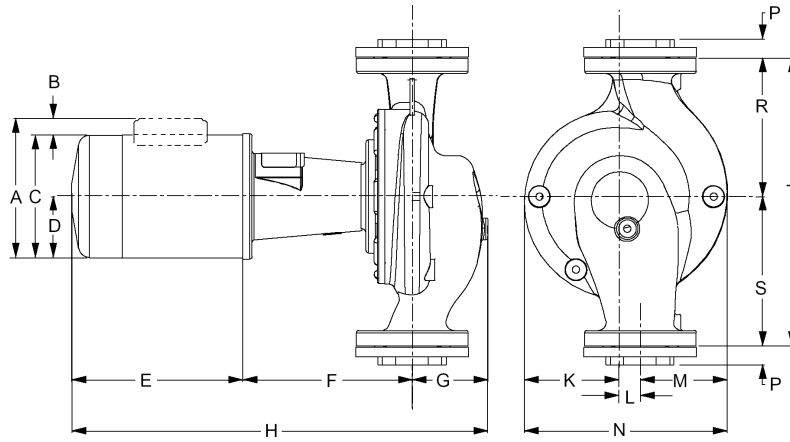
**TYPE OF SEAL**

- EPT/TUNGSTEN-CARBIDE  
(-20 °F TO 250 °F)

**TYPE OF SEAL**

- VITON/CARBON-CERAMIC  
(0 °F TO 225 °F)





SUCTION AND DISCHARGE SIZE INCHES NPT	PUMP DIMENSIONS IN INCHES (MM)									
	F	G	K	L	M	N	P	R	S	T
2	9-3/8 (238)	3-1/2 (89)	4-3/4 (121)	1 (25)	4-1/8 (105)	9-7/8 (251)	13/16 (21)	6-1/2 (165)	7-1/2 (190)	14 (356)

MAXIMUM WORKING PRESSURE 175PSI (12 BAR)

ALL MOTORS 1750 RPM

DIMENSIONS - Inches (mm)

MOTOR HP		MOTOR DIMENSIONS - INCHES (MM)					
HP	PHASE	A	B	C	D	E	H
3/4	1	10-1/8 (257)	2-1/4 (57)	7-7/8 (200)	4-3/8 (111)	11 (279)	23-7/8 (606)
3/4	3	7-7/8 (200)	-	7-7/8 (200)	4-3/8 (111)	11 (279)	23-7/8 (606)
1	1	10-1/8 (257)	2-1/4 (57)	7-7/8 (200)	4-3/8 (111)	9-3/4 (248)	23-7/8 (606)
1	3	7-7/8 (200)	-	7-7/8 (200)	4-3/8 (111)	9-3/4 (248)	23-7/8 (606)
1-1/2	1	8-3/4 (222)	2-1/4 (57)	6-1/2 (165)	3-1/4 (83)	10-3/4 (273)	21-3/8 (543)
1-1/2	3	6-1/2 (165)	-	6-1/2 (165)	3-1/4 (83)	10 (254)	21-3/8 (543)
2	3	6-1/2 (165)	-	6-1/2 (165)	3-1/4 (83)	10 (254)	21-3/8 (543)
3	3	6-1/2 (165)	-	6-1/2 (165)	3-1/4 (83)	11-3/8 (289)	22-1/4 (565)

Dimensions are subject to change. Not to be used for construction purposes unless certified.  
Includes Companion Flanges.

Xylem Inc.  
8200 N. Austin Avenue  
Morton Grove, IL 60053  
Phone: (847)966-3700  
Fax: (847)965-8379  
www.bellgossett.com

