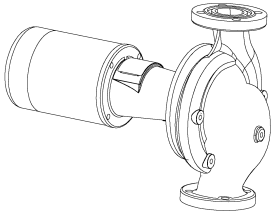


<b>JOB:</b>   <b>UNIT TAG:</b> <b>ENGINEER:</b> <b>CONTRACTOR:</b>	<b>REPRESENTATIVE:</b>   <b>ORDER NO.:</b> <b>SUBMITTED BY:</b> <b>APPROVED BY:</b>	<b>DATE:</b> <b>DATE:</b> <b>DATE:</b>
---	--	--



# 2x2x6<sup>1</sup>/<sub>4</sub> Series 60<sup>®</sup>

## Maintenance Free In-Line Mounted Pump

**SPECIFICATIONS**

FLOW \_\_\_\_\_ HEAD \_\_\_\_\_  
 HP \_\_\_\_\_ RPM \_\_\_\_\_  
 VOLTS \_\_\_\_\_  
 CYCLE \_\_\_\_\_ PHASE \_\_\_\_\_  
 ENCLOSURE \_\_\_\_\_  
 APPROX. WEIGHT \_\_\_\_\_  
 SPECIALS \_\_\_\_\_

**MATERIALS OF CONSTRUCTION**

- BRONZE FITTED     ALL BRONZE

**FEATURES**

- MAINTENANCE FREE PUMP
- INTERNALLY SELF-FLUSHING MECHANICAL SEAL
- XLII<sup>®</sup> LUBRICATION SYSTEM
- THREE YEAR WARRANTY
- FACTORY TEST

**WORKING PRESSURE**

- 175 psi (12 bar) W.P.

**TYPE OF SEAL**

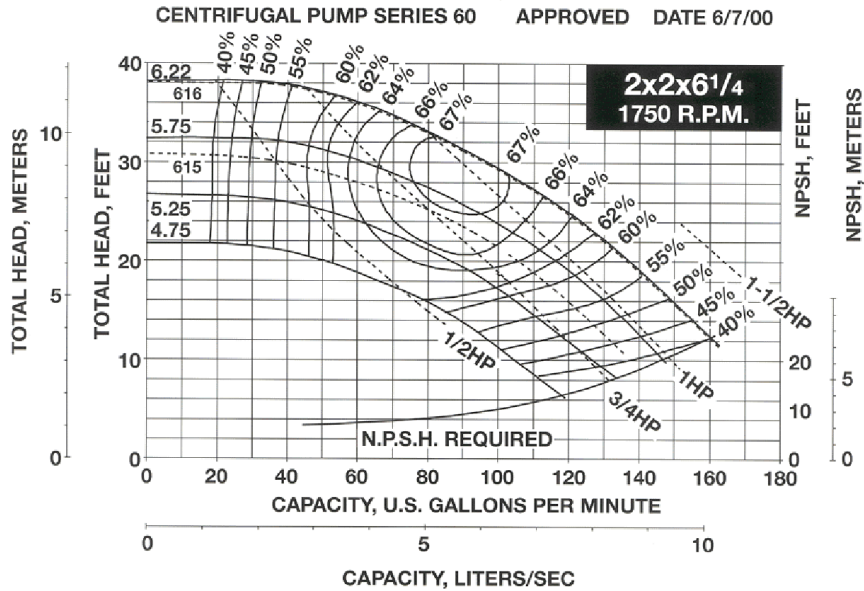
- BUNA/CARBON-CERAMIC (STANDARD)  
(-20 °F TO 225 °F)

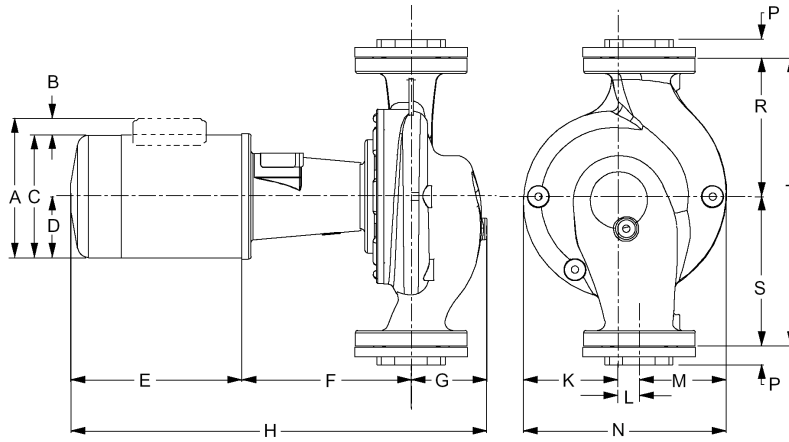
**TYPE OF SEAL**

- EPT/TUNGSTEN-CARBIDE  
(-20 °F TO 250 °F)

**TYPE OF SEAL**

- VITON/CARBON-CERAMIC  
(0 °F TO 225 °F)





SUCTION AND DISCHARGE SIZE INCHES NPT	PUMP DIMENSIONS IN INCHES (MM)									
	F	G	K	L	M	N	P	R	S	T
2	6-15/16 (176)	3-1/2 (89)	4-3/8 (111)	1 (25)	4 (102)	9-3/8 (238)	13/16 (21)	6-1/2 (165)	7 (178)	13-1/2 (343)

MAXIMUM WORKING PRESSURE 175PSI (12 BAR)

ALL MOTORS 1750 RPM

DIMENSIONS - Inches (mm)

MOTOR HP		MOTOR DIMENSIONS - INCHES (MM)					
HP	PHASE	A	B	C	D	E	H
1/2	1	10-1/8 (257)	2-1/4 (57)	7-7/8 (200)	4-3/8 (111)	11 (279)	21-7/16 (545)
1/2	3	7-7/8 (200)	-	7-7/8 (200)	4-3/8 (111)	11 (279)	21-7/16 (545)
3/4	1	10-1/8 (257)	2-1/4 (57)	7-7/8 (200)	4-3/8 (111)	11 (279)	21-7/16 (545)
3/4	3	7-7/8 (200)	-	7-7/8 (200)	4-3/8 (111)	11 (279)	21-7/16 (545)
1	1	10-1/8 (257)	2-1/4 (57)	7-7/8 (200)	4-3/4 (121)	9-3/4 (248)	21-7/16 (545)
1	3	7-7/8 (200)	-	7-7/8 (200)	4-3/4 (121)	9-3/4 (248)	21-7/16 (545)
1-1/2	1	8-3/4 (222)	2-1/4 (57)	6-1/2 (165)	3-1/4 (83)	10-3/4 (273)	21-3/8 (543)
1-1/2	3	6-1/2 (165)	-	6-1/2 (165)	3-1/4 (83)	10-3/4 (273)	21-3/8 (543)

Dimensions are subject to change. Not to be used for construction purposes unless certified.  
Includes Companion Flanges.

Xylem Inc.  
8200 N. Austin Avenue  
Morton Grove, IL 60053  
Phone: (847)966-3700  
Fax: (847)965-8379  
www.bellgossett.com

