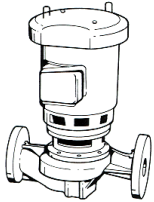


JOB:	REPRESENTATIVE:	
UNIT TAG:	ORDER NO.	DATE:
ENGINEER:	SUBMITTED BY:	DATE:
CONTRACTOR:	APPROVED BY:	DATE:



2x2x9¹/₂B

Series 80[®]

In-Line Mounted Centrifugal Pumps

SPECIFICATIONS

FLOW _____ HEAD _____

HP _____ RPM _____

VOLTS _____

CYCLE _____ PHASE _____

ENCLOSURE _____

APPROX. WEIGHT _____

SPECIALS _____

MATERIALS OF CONSTRUCTION

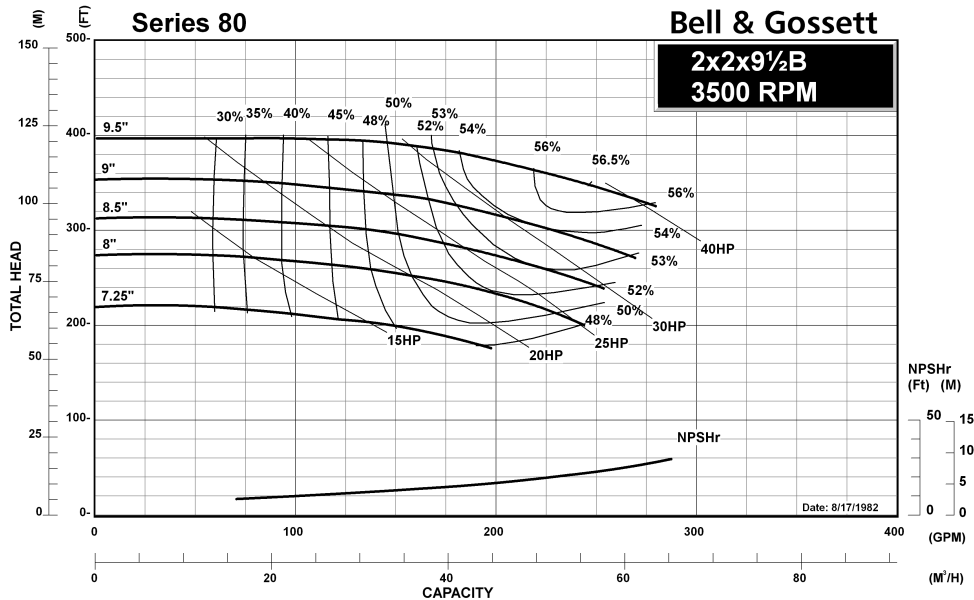
- BRONZE FITTED ALL IRON

MAXIMUM WORKING PRESSURE

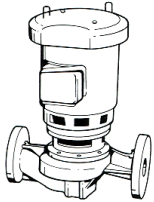
- 175 psi (12 bar) W.P. with 125# ANSI flange drilling
- 250 psi (17 bar) W.P. with 250# ANSI flange drilling (requires 80-S)
- 300 psi (21 bar) W.P. with 250# ANSI flange drilling (EPR-Sintered Silicon Carbide-Sintered Silicon Carbide) Requires 80-S

TYPE OF SEAL

- 80 Standard Seal (Buna-Carbon/Ceramic)
- 80 -F Standard Seal w/ Flush Line (Buna-Carbon/Ceramic)
- 80 -S Stuffing Box construction w/ Flushed Mechanical Single Seal (EPR-Tungsten Carbide/Carbon)
- 80 -D Stuffing Box construction w/ Flushed Double Mechanical Seal (EPR-Carbon/Ceramic) Requires external water source
- 80 -PF Stuffing Box Construction w/ Flushed Packing (Graphite Impregnated PTFE)



JOB: UNIT TAG: ENGINEER: CONTRACTOR:	REPRESENTATIVE: ORDER NO.: SUBMITTED BY: APPROVED BY:	DATE: DATE: DATE:
---	--	--



2x2x9½B

Series 80®

In-Line Mounted Centrifugal Pumps

SPECIFICATIONS

FLOW _____ HEAD _____

HP _____ RPM _____

VOLTS _____

CYCLE _____ PHASE _____

ENCLOSURE _____

APPROX. WEIGHT _____

SPECIALS _____

MATERIALS OF CONSTRUCTION

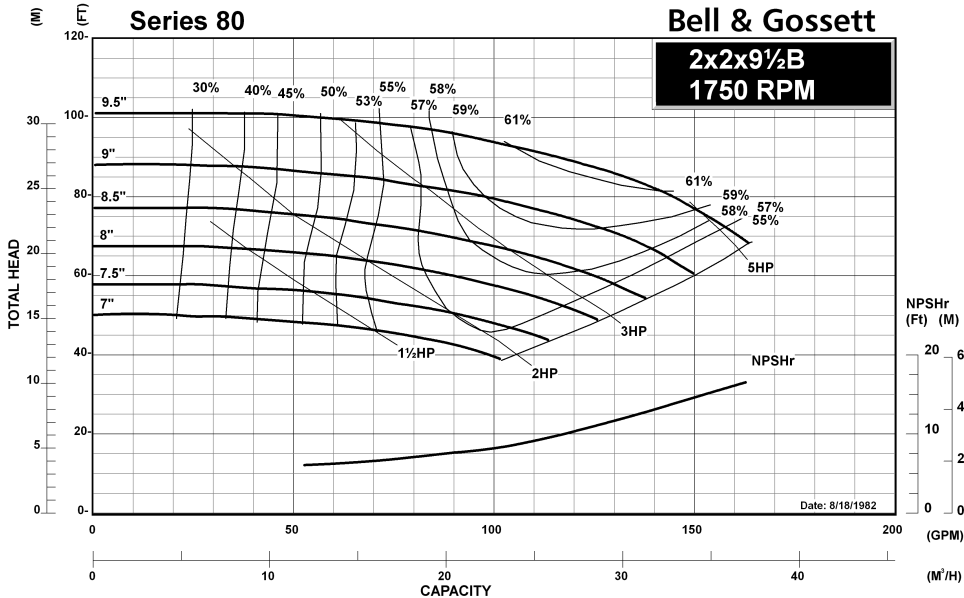
- BRONZE FITTED ALL IRON

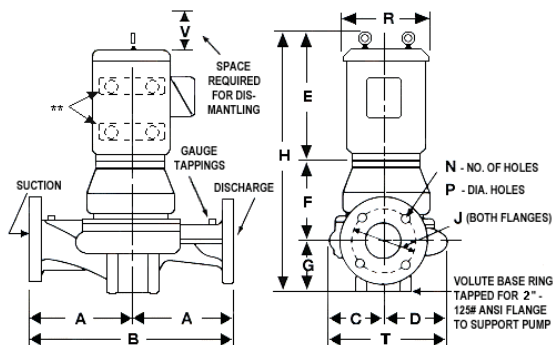
MAXIMUM WORKING PRESSURE

- 175 psi (12 bar) W.P. with 125# ANSI flange drilling
- 250 psi (17 bar) W.P. with 250# ANSI flange drilling (requires 80-S)
- 300 psi (21 bar) W.P. with 250# ANSI flange drilling (EPR-Sintered Silicon Carbide-Sintered Silicon Carbide) Requires 80-S

TYPE OF SEAL

- 80 Standard Seal (Buna-Carbon/Ceramic)
- 80 -F Standard Seal w/ Flush Line (Buna-Carbon/Ceramic)
- 80 -S Stuffing Box construction w/ Flushed Mechanical Single Seal (EPR-Tungsten Carbide/Carbon)
- 80 -D Stuffing Box construction w/ Flushed Double Mechanical Seal (EPR-Carbon/Ceramic) Requires external water source
- 80 -PF Stuffing Box Construction w/ Flushed Packing (Graphite Impregnated PTFE)





FLANGE DIMENSIONS IN INCHES (MM)			
	SIZE	THICKNESS	O.D.
Discharge	2"	7/8 (22)	6-1/4 (159)
Suction	2"	7/8 (22)	6-1/4 (159)

FLANGES ARE 125# ANSI - STANDARD
250# ANSI - AVAILABLE

** Motor may be supplied with feet

DIMENSIONS – Inches (mm)

STANDARD SEAL 80, 80-F

MOTOR FRAME	A	B	C	D	E (Max)	F	G	H (Max)	125# ANSI			250# ANSI			R	S (Max)*	T	V (Min)
									J	N	P	J	N	P				
145	10 (254)	20 (508)	6 (152)	6-1/2 (165)	12-5/8 (321)	4-3/4 (121)	5-3/8 (137)	22-3/4 (578)	4-3/4 (121)	4	3/4 (19)	5 (127)	8	3/4 (19)	9-3/4 (248)	1-1/2 (38)	12-1/2 (318)	4-1/2 (114)
182	10 (254)	20 (508)	6 (152)	6-1/2 (165)	15-5/16 (389)	4-3/4 (121)	5-3/8 (137)	25-7/16 (646)	4-3/4 (-83)	4	3/4 (19)	5 (127)	8	3/4 (19)	11-3/4 (298)	1 (25)	12-1/2 (318)	4-1/2 (114)
184	10 (254)	20 (508)	6 (152)	6-1/2 (165)	15-5/16 (389)	4-3/4 (121)	5-3/8 (137)	25-7/16 (646)	4-3/4 (121)	4	3/4 (19)	5 (127)	8	3/4 (19)	11-3/4 (298)	1 (25)	12-1/2 (318)	4-1/2 (114)
213	10 (254)	20 (508)	6 (152)	6-1/2 (165)	19-1/4 (489)	4-3/4 (121)	5-3/8 (137)	29-3/8 (746)	4-3/4 (121)	4	3/4 (19)	5 (127)	8	3/4 (19)	14 (356)	-	12-1/2 (318)	4-1/2 (114)
215	10 (254)	20 (508)	6 (152)	6-1/2 (165)	19-1/4 (489)	4-3/4 (121)	5-3/8 (137)	29-3/8 (746)	4-3/4 (121)	4	3/4 (19)	5 (127)	8	3/4 (19)	14 (356)	-	12-1/2 (318)	4-1/2 (114)
254	10 (254)	20 (508)	6 (152)	6-1/2 (165)	24-1/8 (613)	8-5/8 (219)	5-3/8 (137)	38-1/8 (968)	4-3/4 (121)	4	3/4 (19)	5 (127)	8	3/4 (19)	17 (432)	-	12-1/2 (318)	4-1/2 (114)
256	10 (254)	20 (508)	6 (152)	6-1/2 (165)	24-1/8 (613)	8-5/8 (219)	5-3/8 (137)	38-1/8 (968)	4-3/4 (121)	4	3/4 (19)	5 (127)	8	3/4 (19)	17 (432)	-	12-1/2 (318)	4-1/2 (114)
284	10 (254)	20 (508)	6 (152)	6-1/2 (165)	23-5/8 (600)	8-5/8 (219)	5-3/8 (137)	37-5/8 (956)	4-3/4 (121)	4	3/4 (19)	5 (127)	8	3/4 (19)	16-1/8 (410)	4-5/8 (117)	12-1/2 (318)	4-1/2 (114)
286	10 (254)	20 (508)	6 (152)	6-1/2 (165)	25-1/8 (638)	8-5/8 (219)	5-3/8 (137)	39-1/8 (994)	4-3/4 (121)	4	3/4 (19)	5 (127)	8	3/4 (19)	16-1/8 (410)	4-5/8 (117)	12-1/2 (318)	4-1/2 (114)
324	10 (254)	20 (508)	6 (152)	6-1/2 (165)	26 (660)	8-5/8 (219)	5-3/8 (137)	40 (1016)	4-3/4 (121)	4	3/4 (19)	5 (127)	8	3/4 (19)	18-3/4 (476)	5-3/8 (137)	12-1/2 (318)	4-1/2 (114)

STUFFING BOX 80-PF, 80-S, 80-D

MOTOR FRAME	A	B	C	D	E (Max)	F	G	H (Max)	125# ANSI			250# ANSI			R	S (Max)*	T	V (Min)
									J	N	P	J	N	P				
145	10 (254)	20 (508)	6 (152)	6-1/2 (165)	12-5/8 (321)	7-7/8 (200)	5-3/8 (137)	25-7/8 (657)	4-3/4 (121)	4	3/4 (19)	5 (127)	8	3/4 (19)	9-3/4 (248)	1-1/2 (38)	12-1/2 (318)	4-1/2 (114)
182	10 (254)	20 (508)	6 (152)	6-1/2 (165)	15-5/16 (389)	7-7/8 (200)	5-3/8 (137)	28-9/16 (725)	4-3/4 (-83)	4	3/4 (19)	5 (127)	8	3/4 (19)	11-3/4 (298)	1 (25)	12-1/2 (318)	4-1/2 (114)
184	10 (254)	20 (508)	6 (152)	6-1/2 (165)	15-5/16 (389)	7-7/8 (200)	5-3/8 (137)	28-9/16 (725)	4-3/4 (121)	4	3/4 (19)	5 (127)	8	3/4 (19)	11-3/4 (298)	1 (25)	12-1/2 (318)	4-1/2 (114)
213	10 (254)	20 (508)	6 (152)	6-1/2 (165)	19-1/4 (489)	8-5/8 (219)	5-3/8 (137)	33-1/4 (845)	4-3/4 (121)	4	3/4 (19)	5 (127)	8	3/4 (19)	14 (356)	-	12-1/2 (318)	4-1/2 (114)
215	10 (254)	20 (508)	6 (152)	6-1/2 (165)	19-1/4 (489)	8-5/8 (219)	5-3/8 (137)	33-1/4 (845)	4-3/4 (121)	4	3/4 (19)	5 (127)	8	3/4 (19)	14 (356)	-	12-1/2 (318)	4-1/2 (114)
254	10 (254)	20 (508)	6 (152)	6-1/2 (165)	24-1/8 (613)	8-5/8 (219)	5-3/8 (137)	38-1/8 (968)	4-3/4 (121)	4	3/4 (19)	5 (127)	8	3/4 (19)	17 (432)	-	12-1/2 (318)	4-1/2 (114)
256	10 (254)	20 (508)	6 (152)	6-1/2 (165)	24-1/8 (613)	8-5/8 (219)	5-3/8 (137)	38-1/8 (968)	4-3/4 (121)	4	3/4 (19)	5 (127)	8	3/4 (19)	17 (432)	-	12-1/2 (318)	4-1/2 (114)
284	10 (254)	20 (508)	6 (152)	6-1/2 (165)	23-5/8 (600)	8-5/8 (219)	5-3/8 (137)	37-5/8 (956)	4-3/4 (121)	4	3/4 (19)	5 (127)	8	3/4 (19)	16-1/8 (410)	4-5/8 (117)	12-1/2 (318)	4-1/2 (114)
286	10 (254)	20 (508)	6 (152)	6-1/2 (165)	25-1/8 (638)	8-5/8 (219)	5-3/8 (137)	39-1/8 (994)	4-3/4 (121)	4	3/4 (19)	5 (127)	8	3/4 (19)	16-1/8 (410)	4-5/8 (117)	12-1/2 (318)	4-1/2 (114)
324	10 (254)	20 (508)	6 (152)	6-1/2 (165)	26 (660)	8-5/8 (219)	5-3/8 (137)	40 (1016)	4-3/4 (121)	4	3/4 (19)	5 (127)	8	3/4 (19)	18-3/4 (476)	5-3/8 (137)	12-1/2 (318)	4-1/2 (114)

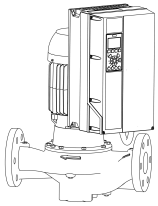
Dimensions are subject to change. Not to be used for construction purposes unless certified.

NOTE: For 1 phase Motors add 1" to dimensions E & H.

*For TEFC Motors add S dimension to dimensions E & H.

Xylem Inc.
8200 N. Austin Avenue
Morton Grove, IL 60053
Phone: (847)966-3700
Fax: (847)965-8379
www.bellgossett.com

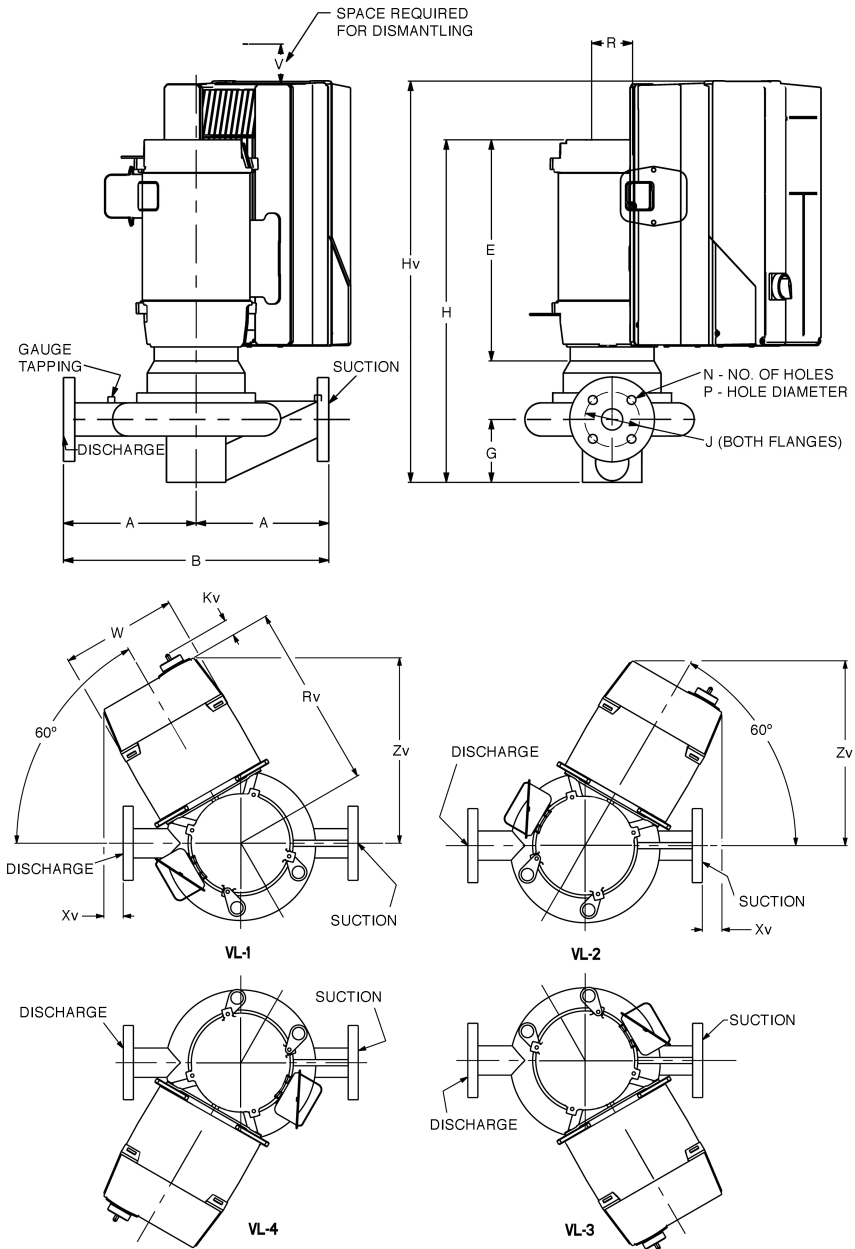




2x2x9¹/₂B Series 80[®]

**In-Line Mounted Centrifugal Pumps
With Optional Integrated Technologic[®] featuring Sensorless Control**

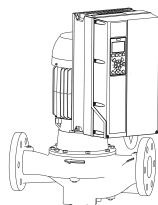
TECHNOLOGIC STANDARD FEATURES	
CONTROL METHOD	Constant Pressure, Linear Control Curve, Quadratic Control Curve Factory configured for sensorless operation standard. Field configurable for use with a wired transducer.
ENCLOSURE	IP55 / NEMA 12 / UL type 12
POWER DISCONNECT SWITCH	Included standard. Fused Disconnect Switch optional.
EMI/RFI CONTROL	Integrated filter to meet EN62800-3.
HARMONIC SUPPRESSION	Integrated non-saturating dual DC link reactors provide better harmonic performance than a 5% AC line reactor.
COOLING	Fan-cooled through temperature controlled and easy replacement.
AMBIENT TEMPERATURE RATING	14°F to 113°F (-10°C to 45°C)
COMMUNICATION PROTOCOLS	BACnet, Modbus RTU, N2 Metasys, FLN Apogee
ANALOG INPUTS	2 configurable for either voltage (0 to 10VDC) or current(0/4 to 20mA)
ANALOG OUTPUTS	1 (0/4 to 20mA) up to 500 ohm load accurate to 1% of full scale
DIGITAL INPUTS	4 (0 to 24VDC), NPN or PNP, 0 to 24VDC, on 5 msec scan interval, Up to 2 can be configured as pulse inputs.
DIGITAL OUTPUTS	2 (0 to 24VDC), 40mA max current, configurable as pulse outputs.
RELAY OUTPUTS	2 programmable, 240VAC or 400VAC up to 2 A



Xylem Inc.
8200 N. Austin Avenue
Morton Grove, IL 60053
Phone: (847)966-3700
Fax: (847)965-8379
www.bellgossett.com

xylem
Let's Solve Water

Bell & Gossett is a trademark of Xylem Inc. or one of its subsidiaries.
© 2013 Xylem Inc.



2x2x9¹/₂B Series 80[®]

In-Line Mounted Centrifugal Pumps[®]
With Optional Integrated Technologic[®] featuring Sensorless Control

DIMENSIONS – Inches (mm)

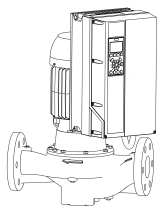
STANDARD SEAL 80, 80-F

MOTOR FRAME	A	B	E (Max)	G	H (Max)	125# ANSI			250# ANSI			R	VFD	Rv	Zv	W	Hv	Xv
						J	N	P	J	N	P							
145	10 (254)	20 (508)	12-5/8 (321)	5-3/8 (137)	22-3/4 (578)	4-3/4 (121)	4	3/4 (19)	5 (127)	8	3/4 (19)	9-3/4 (248)	A5	11-25/32 (299)	12-5/16 (313)	9-1/2 (241)	29-25/64 (746)	7/16 (11)
182	10 (254)	20 (508)	15-5/16 (389)	5-3/8 (137)	25-7/16 (646)	4-3/4 (-83)	4	3/4 (19)	5 (127)	8	3/4 (19)	11-3/4 (298)	A5	12-25/32 (324)	13-3/16 (335)	9-1/2 (241)	28-19/32 (726)	1/16 (2)
184	10 (254)	20 (508)	15-5/16 (389)	5-3/8 (137)	25-7/16 (646)	4-3/4 (121)	4	3/4 (19)	5 (127)	8	3/4 (19)	11-3/4 (298)	A5	12-25/32 (324)	13-3/16 (335)	9-1/2 (241)	28-19/32 (726)	1/16 (2)
213	10 (254)	20 (508)	19-1/4 (489)	5-3/8 (137)	29-3/8 (746)	4-3/4 (121)	4	3/4 (19)	5 (127)	8	3/4 (19)	14 (356)	A5	13-17/32 (344)	13-53/64 (351)	9-1/2 (241)	31-61/64 (812)	7/16 (11)
													B1	15-53/64 (402)	15-27/32 (402)	9-1/2 (241)	33-35/64 (852)	1-5/8 (41)
215	10 (254)	20 (508)	19-1/4 (489)	5-3/8 (137)	29-3/8 (746)	4-3/4 (121)	4	3/4 (19)	5 (127)	8	3/4 (19)	14 (356)	A5	13-17/32 (344)	13-53/64 (351)	9-1/2 (241)	30-31/64 (774)	7/16 (11)
254	10 (254)	20 (508)	24-1/8 (613)	5-3/8 (137)	38-1/8 (968)	4-3/4 (121)	4	3/4 (19)	5 (127)	8	3/4 (19)	17 (432)	B1	16-53/64 (427)	16-45/64 (424)	9-1/2 (241)	41-1/8 (1044)	2-1/8 (54)
													B2	16-53/64 (427)	16-45/64 (424)	9-1/2 (241)	45-37/64 (1158)	2-1/8 (54)
256	10 (254)	20 (508)	24-1/8 (613)	5-3/8 (137)	38-1/8 (968)	4-3/4 (121)	4	3/4 (19)	5 (127)	8	3/4 (19)	17 (432)	B1	16-53/64 (427)	16-45/64 (424)	9-1/2 (241)	40-1/2 (1029)	2-1/8 (54)
													B2	16-53/64 (427)	16-45/64 (424)	9-1/2 (241)	44-61/64 (1142)	2-1/8 (54)
													C1	18-53/64 (478)	18-31/32 (482)	12-3/32 (307)	45-27/32 (1165)	4-1/32 (103)
284	10 (254)	20 (508)	23-5/8 (600)	5-3/8 (137)	37-5/8 (956)	4-3/4 (121)	4	3/4 (19)	5 (127)	8	3/4 (19)	16-1/8 (410)	B1	17-37/64 (446)	17-23/64 (441)	9-1/2 (241)	39-7/8 (1013)	2-1/2 (63)
													C1	19-37/64 (497)	19-5/8 (498)	12-3/32 (307)	46-47/64 (1187)	4-13/32 (112)
286	10 (254)	20 (508)	25-1/8 (638)	5-3/8 (137)	39-1/8 (994)	4-3/4 (121)	4	3/4 (19)	5 (127)	8	3/4 (19)	16-1/8 (410)	B2	17-37/64 (446)	17-23/64 (441)	9-1/2 (241)	45-53/64 (1164)	2-1/2 (63)
													C1	19-37/64 (497)	19-5/8 (498)	12-3/32 (307)	48-15/64 (1225)	4-13/32 (112)
324	10 (254)	20 (508)	26 (660)	5-3/8 (137)	40 (1016)	4-3/4 (121)	4	3/4 (19)	5 (127)	8	3/4 (19)	18-3/4 (476)	B2	18-37/64 (472)	18-7/32 (463)	9-1/2 (241)	45-11/64 (1147)	3 (76)
													C1	20-37/64 (523)	20-31/64 (520)	12-3/32 (307)	45-33/64 (1156)	4-29/32 (125)
													C2	21-37/64 (548)	21-61/64 (557)	14-19/32 (371)	50-5/64 (1272)	6-7/16 (164)

Xylem Inc.
8200 N. Austin Avenue
Morton Grove, IL 60053
Phone: (847)966-3700
Fax: (847)965-8379
www.bellgossett.com

xylem
Let's Solve Water

Bell & Gossett is a trademark of Xylem Inc. or one of its subsidiaries.
© 2013 Xylem Inc.



2x2x9¹/₂b Series 80[®]

In-Line Mounted Centrifugal Pumps
With Optional Integrated Technologic[®] featuring Sensorless Control

STUFFING BOX 80-PF, 80-S, 80-D

MOTOR FRAME	A	B	E (Max)	G	H (Max)	125# ANSI			250# ANSI			R	VFD	Rv	Zv	W	Hv	Xv
						J	N	P	J	N	P							
145	10 (254)	20 (508)	12-5/8 (321)	5-3/8 (137)	25-7/8 (657)	4-3/4 (121)	4	3/4 (19)	5 (127)	8	3/4 (19)	9-3/4 (248)	A5	11-25/32 (299)	12-5/16 (313)	9-1/2 (241)	32-33/64 (826)	7/16 (11)
182	10 (254)	20 (508)	15-5/16 (389)	5-3/8 (137)	28-9/16 (725)	4-3/4 (-83)	4	3/4 (19)	5 (127)	8	3/4 (19)	11-3/4 (298)	A5	12-25/32 (324)	13-3/16 (335)	9-1/2 (241)	31-23/32 (805)	1/16 (2)
184	10 (254)	20 (508)	15-5/16 (389)	5-3/8 (137)	28-9/16 (725)	4-3/4 (121)	4	3/4 (19)	5 (127)	8	3/4 (19)	11-3/4 (298)	A5	12-25/32 (324)	13-3/16 (335)	9-1/2 (241)	31-23/32 (805)	1/16 (2)
213	10 (254)	20 (508)	19-1/4 (489)	5-3/8 (137)	33-1/4 (845)	4-3/4 (121)	4	3/4 (19)	5 (127)	8	3/4 (19)	14 (356)	A5	13-17/32 (344)	13-53/64 (351)	9-1/2 (241)	35-53/64 (910)	7/16 (11)
													B1	15-53/64 (402)	15-27/32 (402)	9-1/2 (241)	37-27/64 (951)	1-5/8 (41)
215	10 (254)	20 (508)	19-1/4 (489)	5-3/8 (137)	33-1/4 (845)	4-3/4 (121)	4	3/4 (19)	5 (127)	8	3/4 (19)	14 (356)	A5	13-17/32 (344)	13-53/64 (351)	9-1/2 (241)	34-23/64 (873)	7/16 (11)
254	10 (254)	20 (508)	24-1/8 (613)	5-3/8 (137)	38-1/8 (968)	4-3/4 (121)	4	3/4 (19)	5 (127)	8	3/4 (19)	17 (432)	B1	16-53/64 (427)	16-45/64 (424)	9-1/2 (241)	41-1/8 (1044)	2-1/8 (54)
													B2	16-53/64 (427)	16-45/64 (424)	9-1/2 (241)	45-37/64 (1158)	2-1/8 (54)
256	10 (254)	20 (508)	24-1/8 (613)	5-3/8 (137)	38-1/8 (968)	4-3/4 (121)	4	3/4 (19)	5 (127)	8	3/4 (19)	17 (432)	B1	16-53/64 (427)	16-45/64 (424)	9-1/2 (241)	40-1/2 (1029)	2-1/8 (54)
													B2	16-53/64 (427)	16-45/64 (424)	9-1/2 (241)	44-61/64 (1142)	2-1/8 (54)
													C1	18-53/64 (478)	18-31/32 (482)	12-3/32 (307)	45-27/32 (1165)	4-1/32 (103)
284	10 (254)	20 (508)	23-5/8 (600)	5-3/8 (137)	37-5/8 (956)	4-3/4 (121)	4	3/4 (19)	5 (127)	8	3/4 (19)	16-1/8 (410)	B1	17-37/64 (446)	17-23/64 (441)	9-1/2 (241)	39-7/8 (1013)	2-1/2 (63)
													C1	19-37/64 (497)	19-5/8 (498)	12-3/32 (307)	46-47/64 (1187)	4-13/32 (112)
286	10 (254)	20 (508)	25-1/8 (638)	5-3/8 (137)	39-1/8 (994)	4-3/4 (121)	4	3/4 (19)	5 (127)	8	3/4 (19)	16-1/8 (410)	B2	17-37/64 (446)	17-23/64 (441)	9-1/2 (241)	45-53/64 (1164)	2-1/2 (63)
													C1	19-37/64 (497)	19-5/8 (498)	12-3/32 (307)	48-15/64 (1225)	4-13/32 (112)
324	10 (254)	20 (508)	26 (660)	5-3/8 (137)	40 (1016)	4-3/4 (121)	4	3/4 (19)	5 (127)	8	3/4 (19)	18-3/4 (476)	B2	18-37/64 (472)	18-7/32 (463)	9-1/2 (241)	45-11/64 (1147)	3 (76)
													C1	20-37/64 (523)	20-31/64 (520)	12-3/32 (307)	45-33/64 (1156)	4-29/32 (125)
													C2	21-37/64 (548)	21-61/64 (557)	14-19/32 (371)	50-5/64 (1272)	6-7/16 (164)

Xylem Inc.
8200 N. Austin Avenue
Morton Grove, IL 60053
Phone: (847)966-3700
Fax: (847)965-8379
www.bellgossett.com

xylem
Let's Solve Water

Bell & Gossett is a trademark of Xylem Inc. or one of its subsidiaries.
© 2012 Xylem Inc.