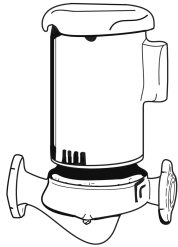


<p><b>JOB:</b></p>  <p><b>UNIT TAG:</b></p> <p><b>ENGINEER:</b></p> <p><b>CONTRACTOR:</b></p>	<p><b>REPRESENTATIVE:</b></p>  <p><b>ORDER NO.</b></p> <p><b>SUBMITTED BY:</b></p> <p><b>APPROVED BY:</b></p>	<p><b>DATE:</b></p> <p><b>DATE:</b></p> <p><b>DATE:</b></p>
---	---	---



## 2AA

### Series "90"

Centrifugal Pumps  
Vertical In-Line Mounted - Close Coupled

**SPECIFICATIONS**

FLOW \_\_\_\_\_ HEAD \_\_\_\_\_

HP \_\_\_\_\_ RPM \_\_\_\_\_

VOLTS \_\_\_\_\_

CYCLE \_\_\_\_\_ PHASE \_\_\_\_\_

ENCLOSURE \_\_\_\_\_

APPROX. WEIGHT \_\_\_\_\_

SPECIALS \_\_\_\_\_

**MATERIALS OF CONSTRUCTION**

BRONZE FITTED     ALL BRONZE †

†Option Not Available with 3HP 1800RPM or 7-1/2 - 15HP 3600RPM ratings.

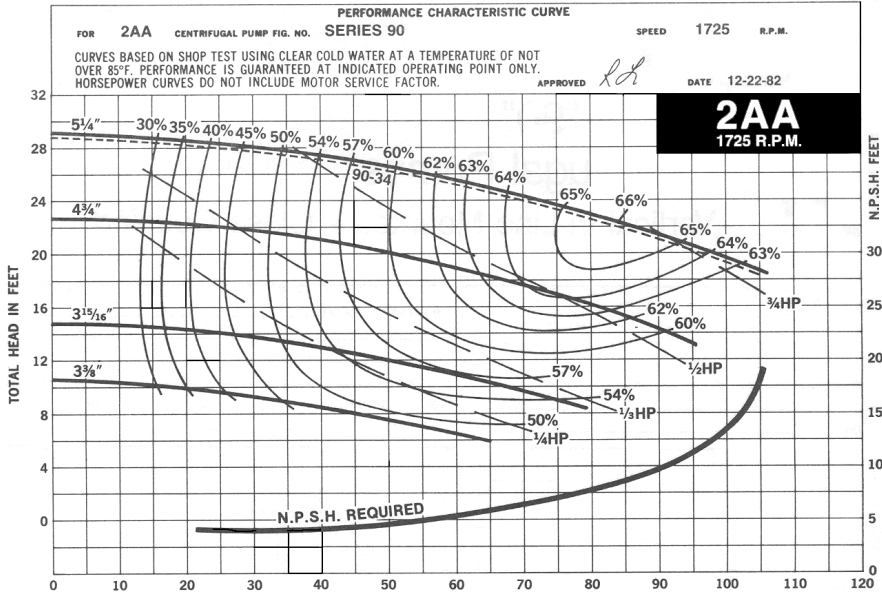
**TYPE OF SEAL**

90 Standard Seal  
(Buna-Carbon/Ceramic)

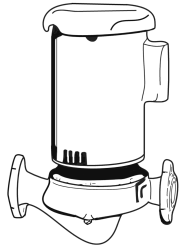
Optional Seal  
(EPR Carbon/Tungsten Carbide)

**MAXIMUM WORKING PRESSURE**

175 psi (12 bar) W.P.



<p><b>JOB:</b></p>  <p><b>UNIT TAG:</b></p> <p><b>ENGINEER:</b></p> <p><b>CONTRACTOR:</b></p>	<p><b>REPRESENTATIVE:</b></p>  <p><b>ORDER NO.</b></p> <p><b>SUBMITTED BY:</b></p> <p><b>APPROVED BY:</b></p>	<p><b>DATE:</b></p> <p><b>DATE:</b></p> <p><b>DATE:</b></p>
---	---	---



# 2AA

## Series "90"

### Centrifugal Pumps

#### Vertical In-Line Mounted - Close Coupled

**SPECIFICATIONS**

FLOW \_\_\_\_\_ HEAD \_\_\_\_\_

HP \_\_\_\_\_ RPM \_\_\_\_\_

VOLTS \_\_\_\_\_

CYCLE \_\_\_\_\_ PHASE \_\_\_\_\_

ENCLOSURE \_\_\_\_\_

APPROX. WEIGHT \_\_\_\_\_

SPECIALS \_\_\_\_\_

\_\_\_\_\_

**MATERIALS OF CONSTRUCTION**

BRONZE FITTED     ALL BRONZE †

†Option Not Available with 3HP 1800RPM or 7-1/2 - 15HP 3600RPM ratings.

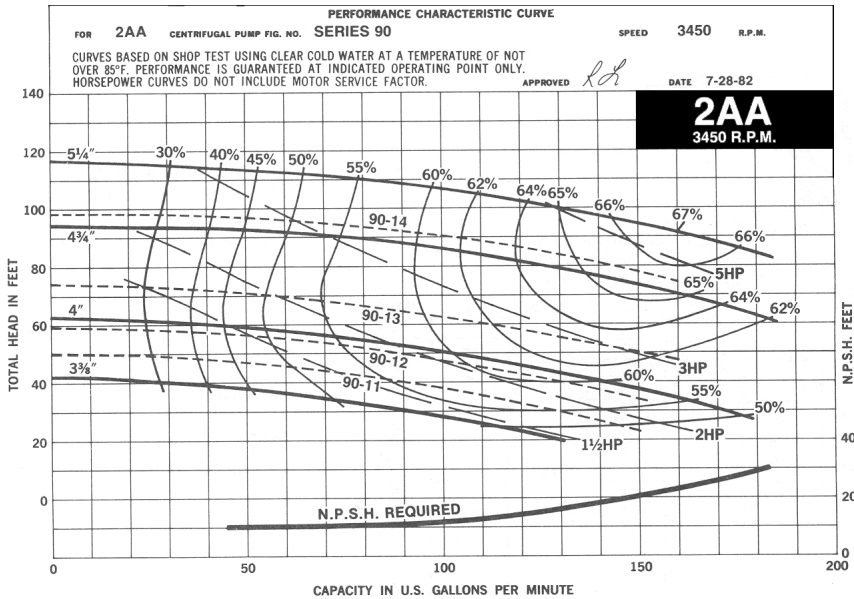
**TYPE OF SEAL**

90 Standard Seal (Buna-Carbon/Ceramic)

Optional Seal (EPR Carbon/Tungsten Carbide)

**MAXIMUM WORKING PRESSURE**

175 psi (12 bar) W.P.



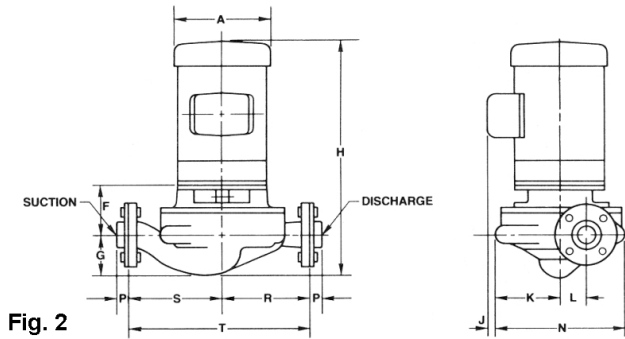


Fig. 2

Companion Flanges furnished for Suction and Discharge

PUMP SIZE	SUCTION AND DISCHARGE SIZE - INCHES NPT	PUMP DIMENSIONS IN INCHES (MM)								
		F	G	K	L	N	P	R	S	T
2 AA	2	3 (76)	4 (102)	3-3/4 (95)	1-3/8 (35)	8 (203)	13/16 (21)	5 (127)	6-1/2 (165)	11-1/2 (292)

DIMENSIONS – Inches (mm)

MOTOR HP			A MAX.	B	H MAX.
1725	3450	PHASE			
1/4		1	7-1/2 (190)	1-1/2 (38)	16-1/4 (413)
1/4		3	7-1/2 (190)		15-1/4 (387)
1/3		1	7-1/2 (190)	1-1/2 (38)	16-1/2 (419)
1/3		3	7-1/2 (190)		16 (406)
1/2		1	7-1/2 (190)	1-1/2 (38)	16-1/2 (419)
1/2		3	7-1/2 (190)		16 (406)
3/4		1	7-1/2 (190)	1-1/2 (38)	17-1/2 (444)
3/4		3	7-1/2 (190)		17 (432)
1		1	7-1/2 (190)	1-1/2 (38)	18-1/4 (464)
1		3	7-1/2 (190)		17 (432)
	1-1/2	1	7-1/2 (190)	1-1/2 (38)	18-1/4 (464)
	1-1/2	3	7-1/2 (190)		17-3/4 (451)
	2	3	7-1/2 (190)		17-3/4 (451)
	3	3	7-1/2 (190)		18-1/4 (464)
	5	3	7-1/2 (190)		19-3/4 (502)

Dimensions are subject to change. Not to be used for construction purposes unless certified.

Xylem Inc.  
8200 N. Austin Avenue  
Morton Grove, IL 60053  
Phone: (847)966-3700  
Fax: (847)965-8379  
www.bellgossett.com

