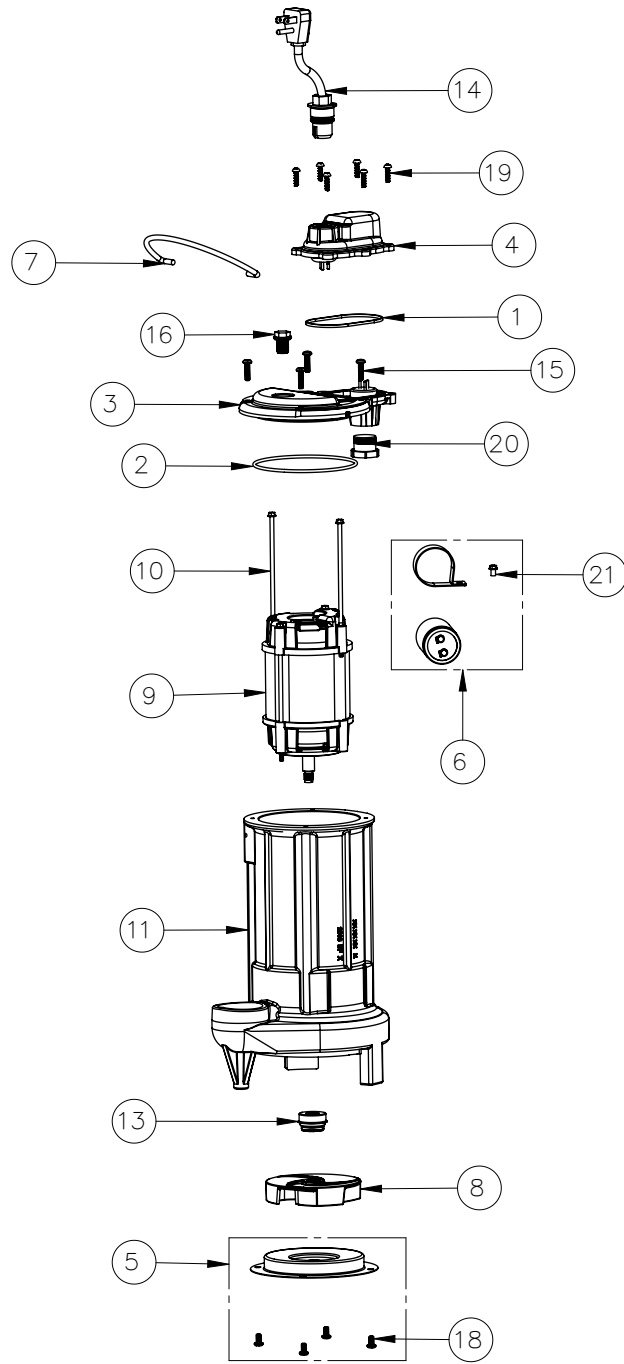


290-2 (B39)



**290-2****290-2 (B39)**

| #  | PART #  | DESCRIPTION                           | QTY | Note |
|----|---------|---------------------------------------|-----|------|
| 1  | K001046 | SEALRING, CHAMBER COVER               | 1   |      |
| 2  | 2357000 | O-RING                                | 1   | [1]  |
| 3  | 240600B | MOTOR COVER                           | 1   |      |
| 4  | 240700B | CHAMBER COVER                         | 1   |      |
| 5  | K001349 | 290 SERIES STAMPING INLET KIT         | 1   |      |
| 6  | K001350 | CAPACITOR KIT                         | 1   |      |
| 7  | K001082 | HANDLE                                | 1   |      |
| 8  | K001351 | 290 SERIES IMPELLER KIT               | 1   |      |
| 9  | 2420200 | 2 POLE 115V MOTOR                     | 1   | [1]  |
| 10 | 2904E20 | 8-32 SCREW 5.688                      | 2   |      |
| 11 | 290300J | CAST IRON HOUSING                     | 1   |      |
| 13 | 50980A0 | 1/2 INCH UNITIZED SEAL                | 1   | [1]  |
| 14 | K001008 | POWER CORD, 115V, 25 FOOT CORD        | 1   |      |
| 15 | 8072000 | #10 - 24 x 3/4" SCREW                 | 4   |      |
| 16 | 8089000 | OIL PLUG, O-RING ASSEMBLY             | 1   |      |
| 18 | 8092000 | #10 - 24 x 3/8" SCREW                 | 4   |      |
| 19 | 8104200 | #10 HILO X 5/8" STAINLESS STEEL SCREW | 6   |      |
| 20 | 8105000 | PROTECTIVE CAP                        | 1   |      |
| 21 | 8160000 | CAPACITOR SCREW                       | 1   | [1]  |

**PART NOTES:**

[1] - Part requires factory authorized service. Contact Liberty Pumps at 1-800-543-2550