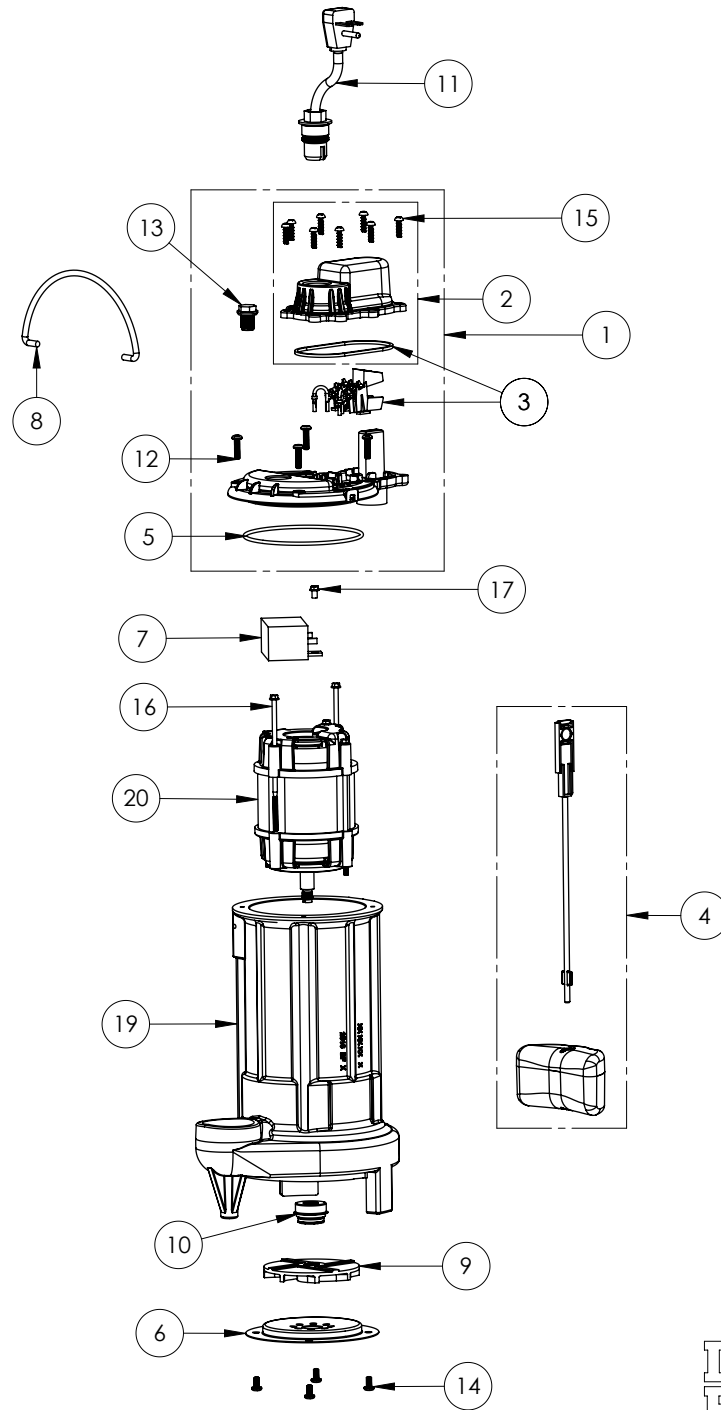


287HV (B59)



**287HV****287HV (B59)**

#	PART #	DESCRIPTION	QTY	Note
1	K001332	VMF MOTOR COVER KIT	1	
2	K001329	VMF SWITCH COVER KIT	1	
3	K001330	VMF SWITCH AND SEALRING KIT	1	
4	K001050	VMF FLOAT AND ROD KIT	1	
5	2357000	O-RING	1	[1]
6	2414000	280 SERIES STAMPING INLET	1	
7	2455000	CAPACITOR	1	[1]
8	K001082	HANDLE	1	
9	K001091	280 SERIES IMPELLER KIT	1	
10	50980A0	1/2 INCH UNITIZED SEAL	1	[1]
11	K001058	POWER CORD, 10FT. 230V	1	
12	8072000	#10 - 24 x 3/4" SCREW	4	
13	8089000	OIL PLUG, O-RING ASSEMBLY	1	
14	8092000	#10 - 24 x 3/8" SCREW	4	
15	8104200	#10 HILO X 5/8" STAINLESS STEEL SCREW	8	
16	8150000	#8-32 x 4-7/8" SCREW	2	[1]
17	8160000	CAPACITOR SCREW	1	[1]
19	25162CJ	HOUSING	1	
20	2424200	MOTOR, .5HP 230V	1	[1]

**PART NOTES:**

[1] - Part requires factory authorized service. Contact Liberty Pumps at 1-800-543-2550