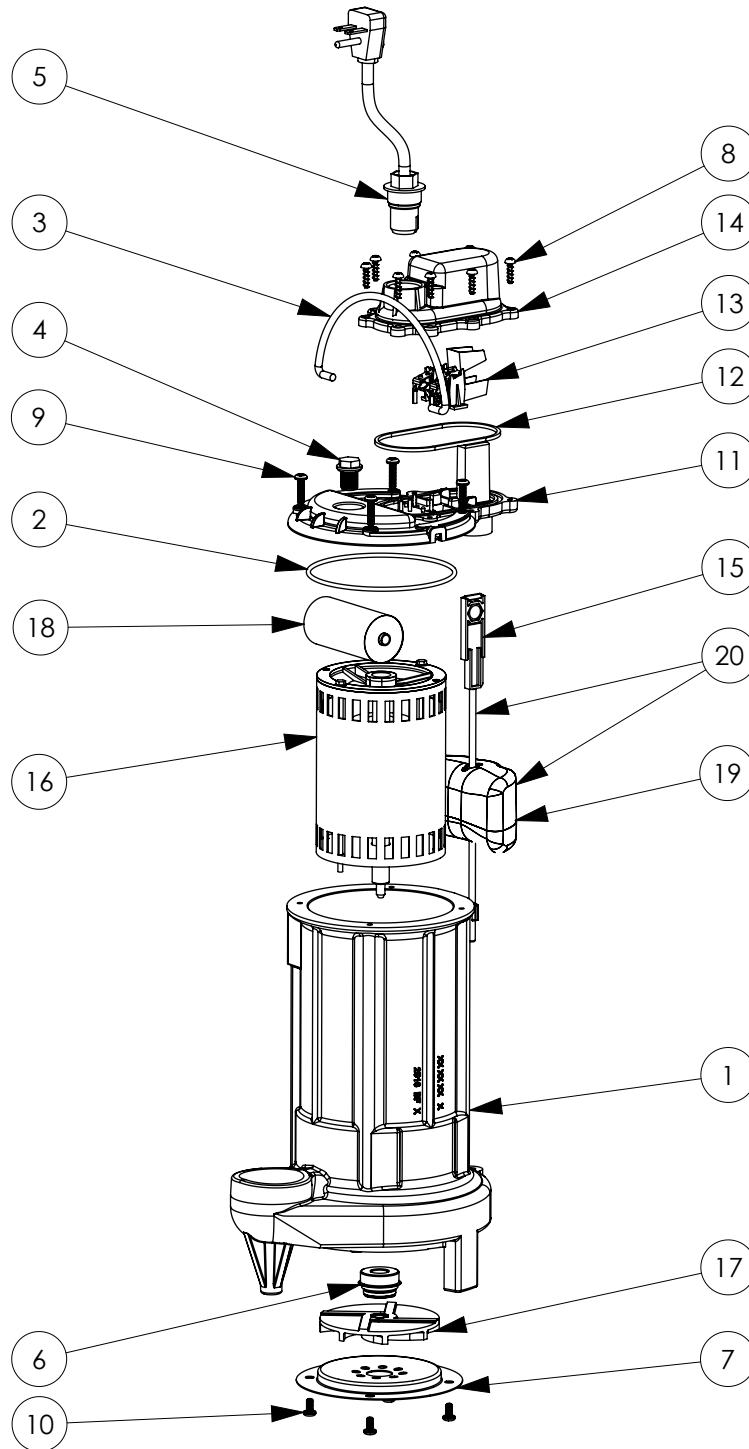


287HV

287HV (B20)



287HV**287HV (B20)**

#	PART #	DESCRIPTION	QTY	Note
1	25160AJ	HOUSING	1	
2	2357000	O-RING	1	[1]
3	K001082	HANDLE	1	
4	8089000	OIL PLUG, O-RING ASSEMBLY	1	
5	K001058	POWER CORD, 10FT. 230V	1	
6	50980A0	1/2 INCH UNITIZED SEAL	1	[1]
7	2414000	280 SERIES STAMPING INLET	1	
8	8104200	#10 HILO X 5/8" STAINLESS STEEL SCREW	8	
9	8072000	#10 - 24 x 3/4" SCREW	4	
10	8092000	#10 - 24 x 3/8" SCREW	4	
11	206500B	VMF MOTOR COVER, BLACK	1	
12	2072000	SEALRING, SWITCH COVER	1	
13	K001012	VMF SWITCH	1	
14	K001069	VMF SWITCH COVER, BLACK	1	
15	2076000	VMF FLOAT ROD	1	
16	2522000	MOTOR, .5HP 230V	1	[1]
17	K001091	280 SERIES IMPELLER KIT	1	
18	25210A0	CAPACITOR	1	[1]
19	2362000	VMF FLOAT	1	[1]
20	K001050	VMF FLOAT AND ROD KIT	1	

PART NOTES:

[1] - Part requires factory authorized service. Contact Liberty Pumps at 1-800-543-2550