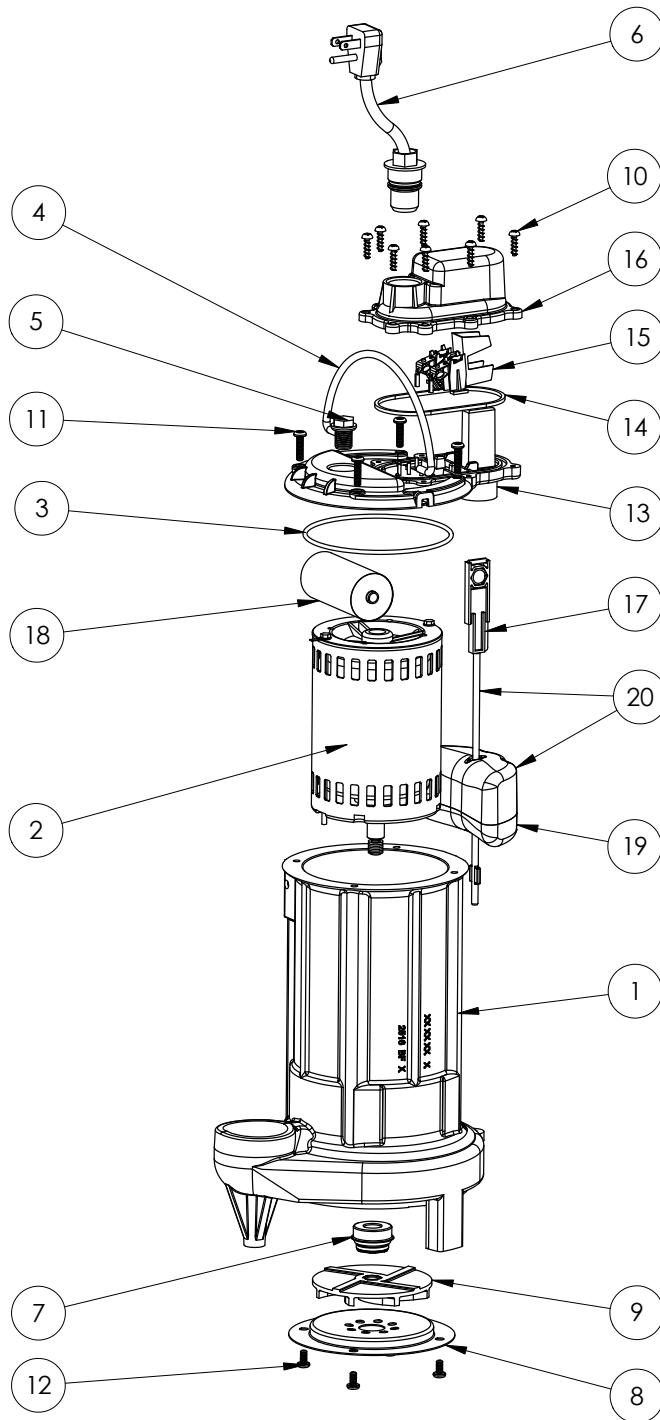


287HV-2

# 287HV-2 (B11)



**287HV-2****287HV-2 (B11)**

#	PART #	DESCRIPTION	QTY	Note
1	2516000	CAST IRON HOUSING WITHOUT HOLE	1	
2	2522000	MOTOR, .5HP 230V	1	[1]
3	2357000	O-RING	1	[1]
4	K001082	HANDLE	1	
5	8089000	OIL PLUG, O-RING ASSEMBLY	1	
6	K001059	POWER CORD, 230V, 25 FOOT CORD	1	
7	5098000	1/2 INCH UNITIZED SEAL	1	
8	2414000	280 SERIES STAMPING INLET	1	
9	K001091	280 SERIES IMPELLER KIT	1	
10	8104200	#10 HILO X 5/8" STAINLESS STEEL SCREW	8	
11	8072000	#10 - 24 x 3/4" SCREW	4	
12	8092000	#10 - 24 x 3/8" SCREW	4	
13	206500G	VMF MOTOR COVER GREY	1	
14	2072000	SEALRING, SWITCH COVER	1	
15	K001012	VMF SWITCH	1	
16	K001069	VMF SWITCH COVER, BLACK	1	
17	2076000	VMF FLOAT ROD	1	
18	2521000	CAPACITOR	1	
19	2362000	VMF FLOAT	1	[1]
20	K001050	VMF FLOAT AND ROD KIT	1	

**PART NOTES:**

[1] - Part requires factory authorized service. Contact Liberty Pumps at 1-800-543-2550