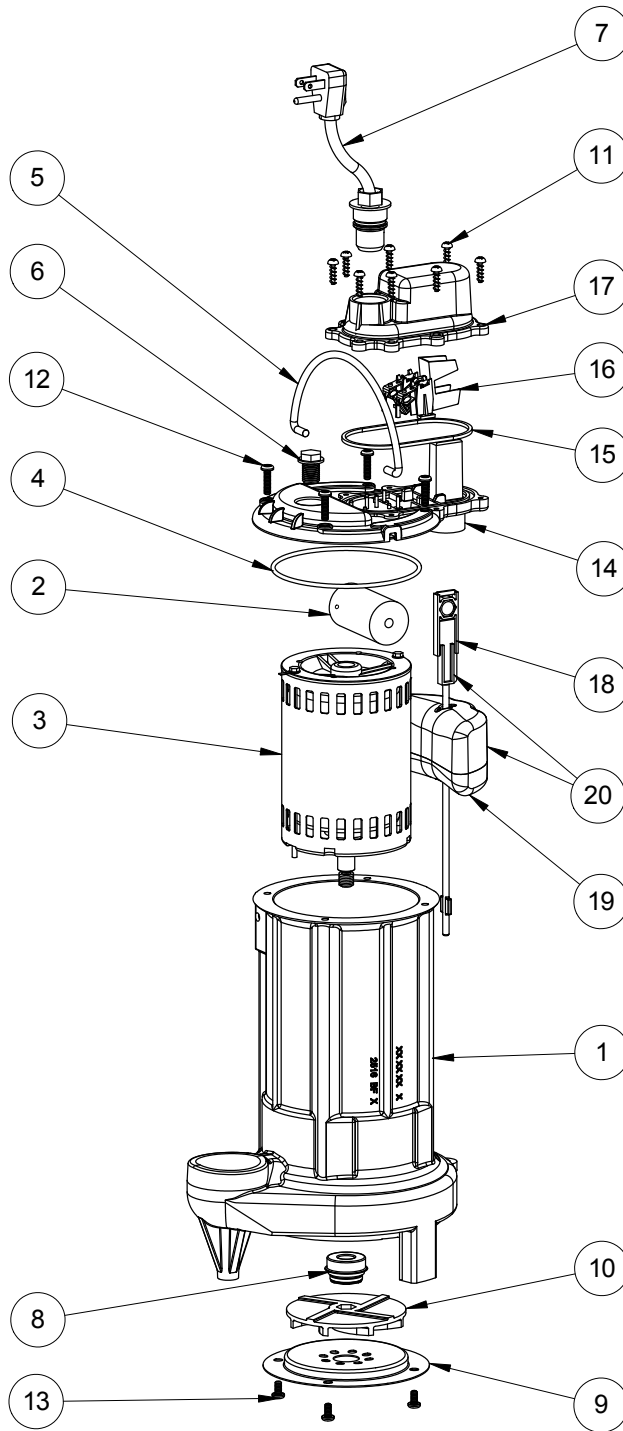


287-2 (B20)



287-2 (B20)

#	PART #	DESCRIPTION	QTY	Note
1	2516000	CAST IRON HOUSING WITHOUT HOLE	1	
2	25200B0	CAPACITOR	1	[1]
3	2517000	MOTOR, .8 HP	1	
4	2357000	O-RING	1	[1]
5	K001082	HANDLE	1	
6	8089000	OIL PLUG, O-RING ASSEMBLY	1	
7	K001008	POWER CORD, 115V, 25 FOOT CORD	1	
8	50980A0	1/2 INCH UNITIZED SEAL	1	[1]
9	2414000	280 SERIES STAMPING INLET	1	
10	K001091	280 SERIES IMPELLER KIT	1	
11	8104200	#10 HILO X 5/8" STAINLESS STEEL SCREW	8	
12	8072000	#10 - 24 x 3/4" SCREW	4	
13	8092000	#10 - 24 x 3/8" SCREW	4	
14	206500G	VMF MOTOR COVER GREY	1	
15	2072000	SEALRING, SWITCH COVER	1	
16	K001012	VMF SWITCH	1	
17	K001069	VMF SWITCH COVER, BLACK	1	
18	2076000	VMF FLOAT ROD	1	
19	2362000	VMF FLOAT	1	[1]
20	K001050	VMF FLOAT AND ROD KIT	1	

PART NOTES:

[1] - Part requires factory authorized service. Contact Liberty Pumps at 1-800-543-2550