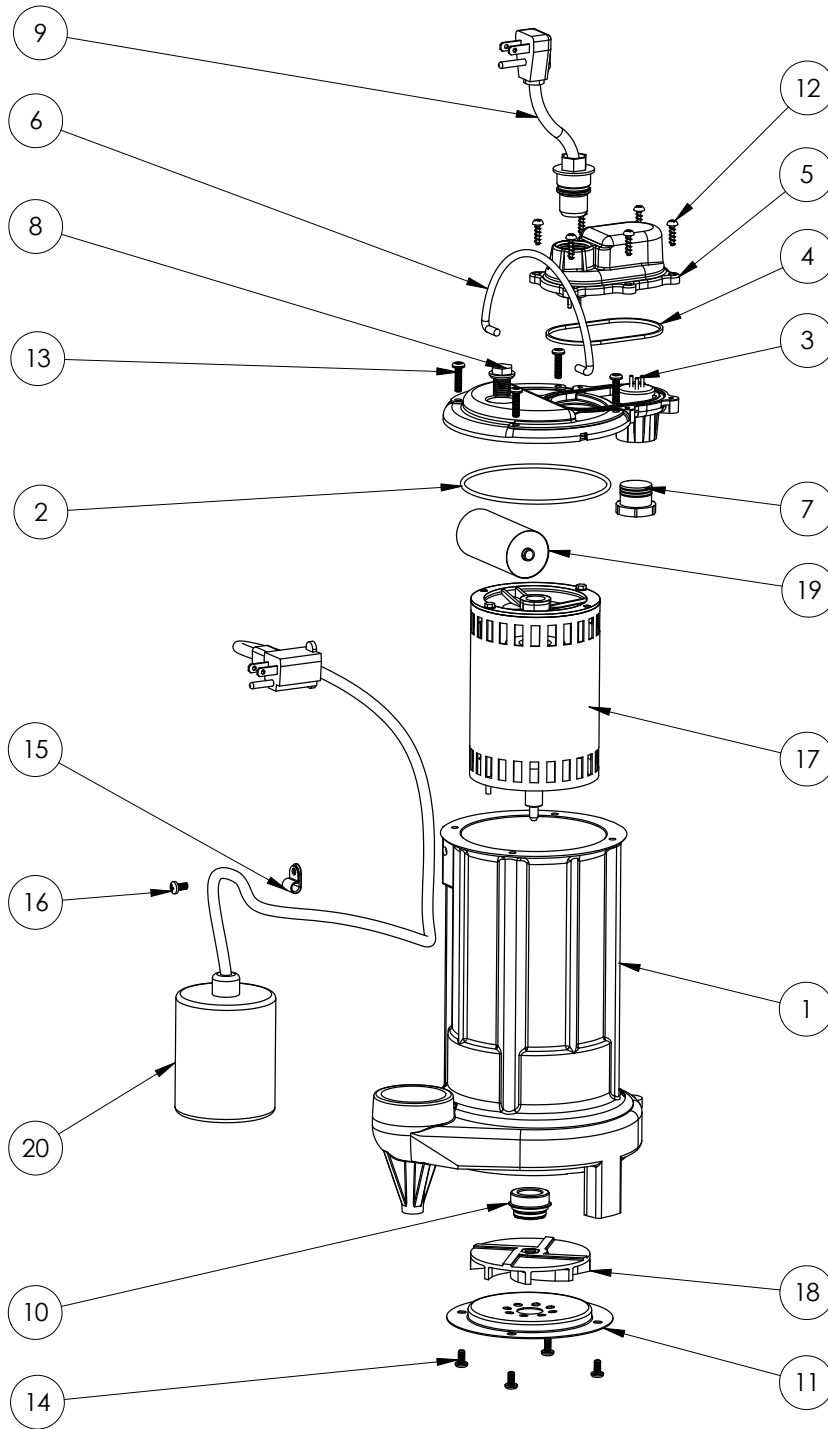


283HV (B10)



**283HV****283HV (B10)**

#	PART #	DESCRIPTION	QTY	Note
1	25160AG	CAST IRON HOUSING WITH HOLE	1	
2	2357000	O-RING	1	[1]
3	240600G	MOTOR COVER, GREY	1	
4	K001046	SEALRING, CHAMBER COVER	1	
5	240700G	CHAMBER COVER, GREY	1	
6	K001082	HANDLE	1	
7	8105000	PROTECTIVE CAP	1	
8	8089000	OIL PLUG, O-RING ASSEMBLY	1	
9	K001058	POWER CORD, 10FT. 230V	1	
10	5098000	1/2 INCH UNITIZED SEAL	1	
11	2414000	280 SERIES STAMPING INLET	1	
12	8104200	#10 HILO X 5/8" STAINLESS STEEL SCREW	6	
13	8072000	#10 - 24 x 3/4" SCREW	4	
14	8092000	#10 - 24 x 3/8" SCREW	4	
15	8014000	CABLE CLAMP	1	
16	8082000	#10-24 x 3/8 EPOXY LOCK SCREW	1	
17	2522000	MOTOR, .5HP 230V	1	[1]
18	K001091	280 SERIES IMPELLER KIT	1	
19	2521000	CAPACITOR	1	
20	K001019	61140A0 PUMP SWITCH, 10' 230V, INCLUDES MOUNTING HARDWARE	1	

**PART NOTES:**

[1] - Part requires factory authorized service. Contact Liberty Pumps at 1-800-543-2550