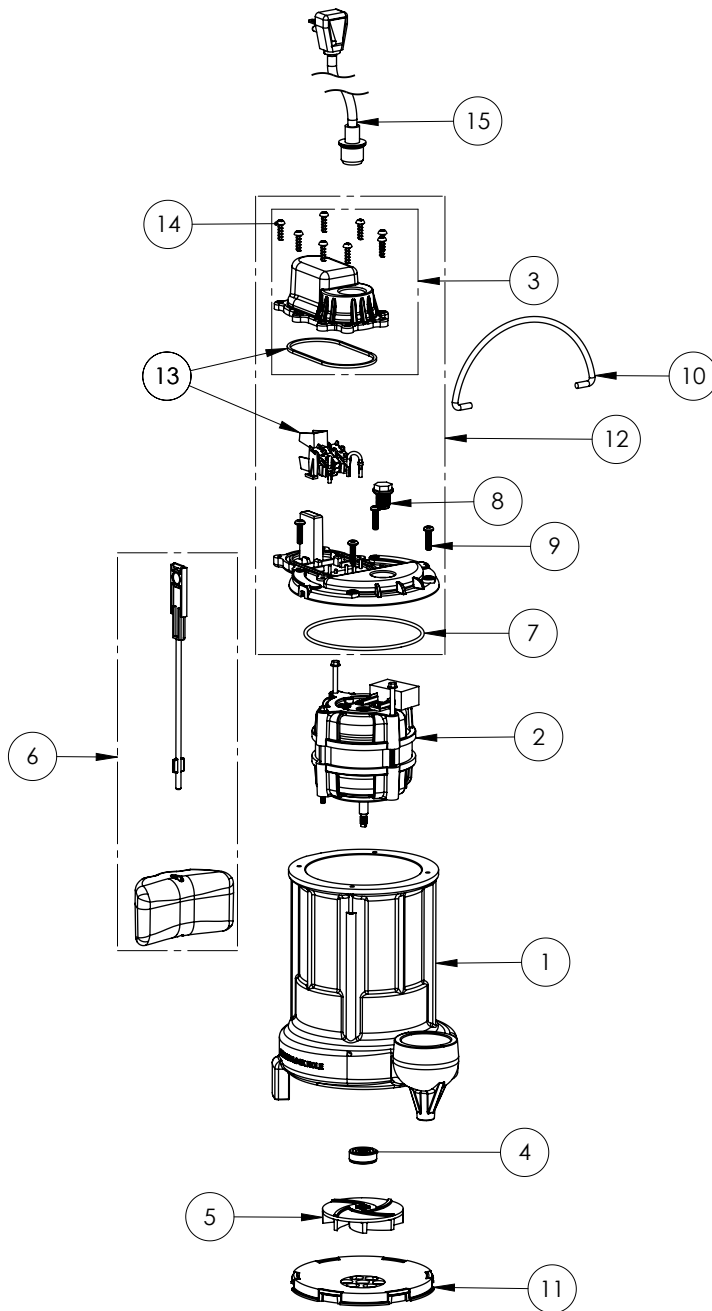


257HV-2 (B60)



257HV-2**257HV-2 (B60)**

| # | PART # | DESCRIPTION | QTY | Note |
|----|---------|---|-----|------|
| 1 | 25050BJ | CAST IRON HOUSING WITHOUT HOLE FOR SWITCH MOUNT | 1 | |
| 2 | 2421200 | MOTOR | 1 | [1] |
| 3 | K001329 | VMF SWITCH COVER KIT | 1 | |
| 4 | K001254 | 3043000 5/16" SHAFT SEAL | 1 | [1] |
| 5 | K001331 | IMPELLER | 1 | |
| 6 | K001048 | VMF FLOAT AND ROD KIT | 1 | |
| 7 | 2357000 | O-RING | 1 | [1] |
| 8 | 8089000 | OIL PLUG, O-RING ASSEMBLY | 1 | |
| 9 | 8072000 | #10 - 24 x 3/4" SCREW | 4 | |
| 10 | K001082 | HANDLE | 1 | |
| 11 | 2502000 | PLASTIC SCREEN | 1 | |
| 12 | K001332 | VMF MOTOR COVER KIT | 1 | |
| 13 | K001330 | VMF SWITCH AND SEALRING KIT | 1 | |
| 14 | 8104200 | #10 HILO X 5/8" STAINLESS STEEL SCREW | 8 | |
| 15 | K001059 | POWER CORD, 230V, 25 FOOT CORD | 1 | |

PART NOTES:

[1] - Part requires factory authorized service. Contact Liberty Pumps at 1-800-543-2550