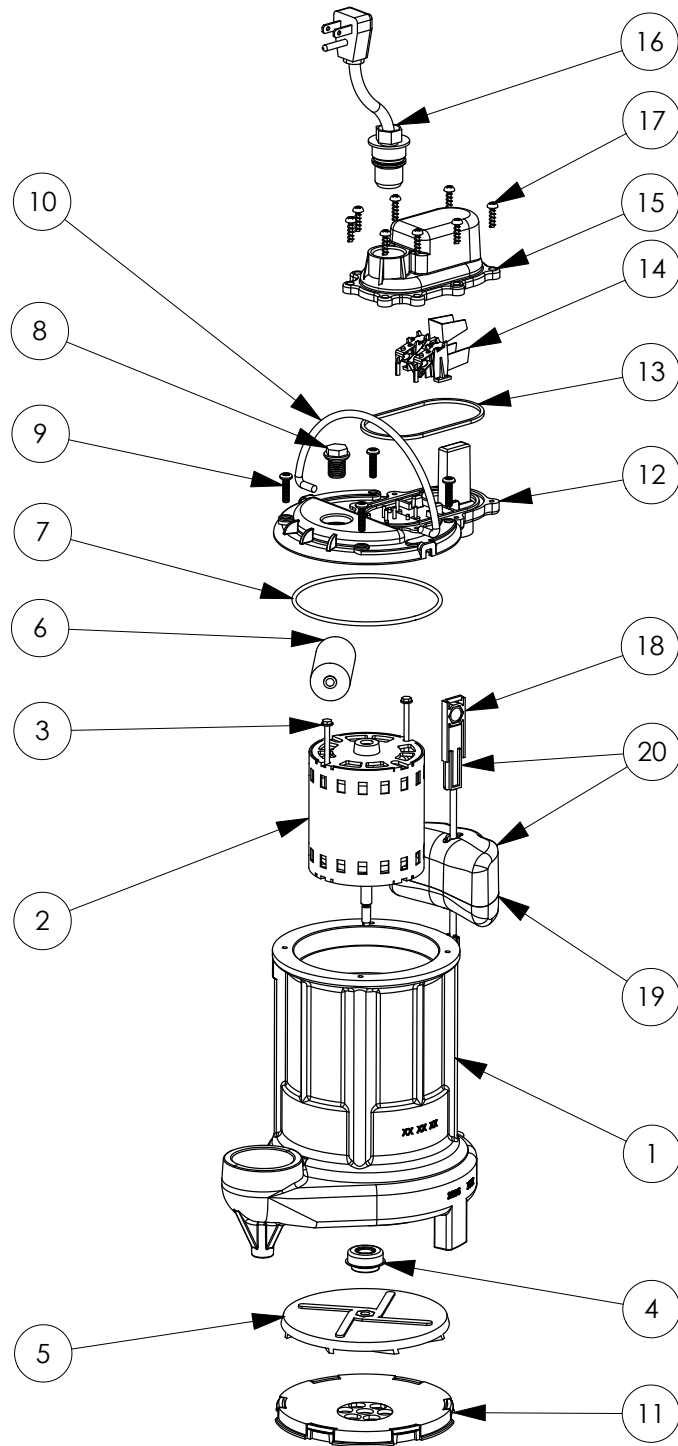


257-2 (B10)



257-2 (B10)

#	PART #	DESCRIPTION	QTY	Note
1	250500G	CAST IRON HOUSING WITHOUT HOLE	1	
2	2329000	PSC MOTOR	1	
3	8079000	MOTOR STATOR BOLTS	2	[1]
4	2309000	5/16 SHAFT SEAL	1	
5	K001093	IMPELLER	1	
6	23430E0	CAPACITOR	1	
7	2357000	O-RING	1	[1]
8	8089000	OIL PLUG, O-RING ASSEMBLY	1	
9	8072000	#10 - 24 x 3/4" SCREW	4	
10	K001082	HANDLE	1	
11	2502000	PLASTIC SCREEN	1	
12	206500G	VMF MOTOR COVER GREY	1	
13	2072000	SEALRING, SWITCH COVER	1	
14	K001012	VMF SWITCH	1	
15	K001069	VMF SWITCH COVER, BLACK	1	
16	K001008	POWER CORD, 115V, 25 FOOT CORD	1	
17	8104200	#10 HILO X 5/8" STAINLESS STEEL SCREW	8	
18	2075000	VMF FLOAT ROD	1	[1]
19	2362000	VMF FLOAT	1	[1]
20	K001048	VMF FLOAT AND ROD KIT	1	

PART NOTES:

[1] - Part requires factory authorized service. Contact Liberty Pumps at 1-800-543-2550