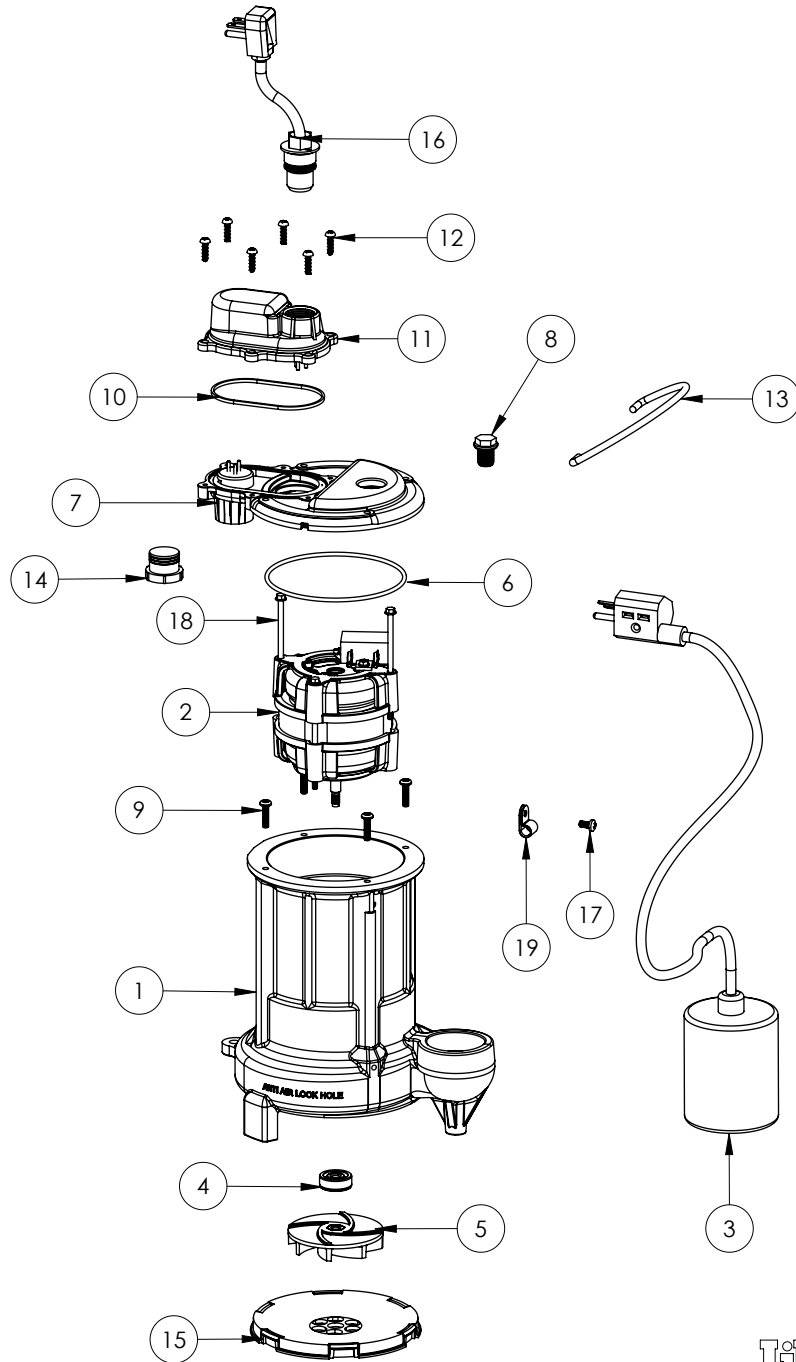


253HV-2 (B59)



253HV-2**253HV-2 (B59)**

#	PART #	DESCRIPTION	QTY	Note
1	25050CJ	CAST IRON HOUSING WITH HOLE FOR SWITCH	1	
2	2421200	MOTOR	1	[1]
3	K001431	61140B0 PUMP SWITCH, 25' 230V	1	
4	K001254	3043000 5/16" SHAFT SEAL	1	[1]
5	K001331	IMPELLER	1	
6	2357000	O-RING	1	[1]
7	240600B	MOTOR COVER	1	
8	8089000	OIL PLUG, O-RING ASSEMBLY	1	
9	8072000	#10 - 24 x 3/4" SCREW	1	
10	K001046	SEALRING, CHAMBER COVER	1	
11	240700B	CHAMBER COVER	1	
12	8104200	#10 HILO X 5/8" STAINLESS STEEL SCREW	6	
13	K001082	HANDLE	1	
14	8105000	PROTECTIVE CAP	1	
15	2502000	PLASTIC SCREEN	1	
16	K001059	POWER CORD, 230V, 25 FOOT CORD	1	
17	8082000	#10-24 x 3/8 EPOXY LOCK SCREW	1	
18	8153000	#8-32 UNC X 3.5 LG STATOR BOLT	2	[1]
19	8014000	CABLE CLAMP	1	

PART NOTES:

[1] - Part requires factory authorized service. Contact Liberty Pumps at 1-800-543-2550