



Replacement Parts List

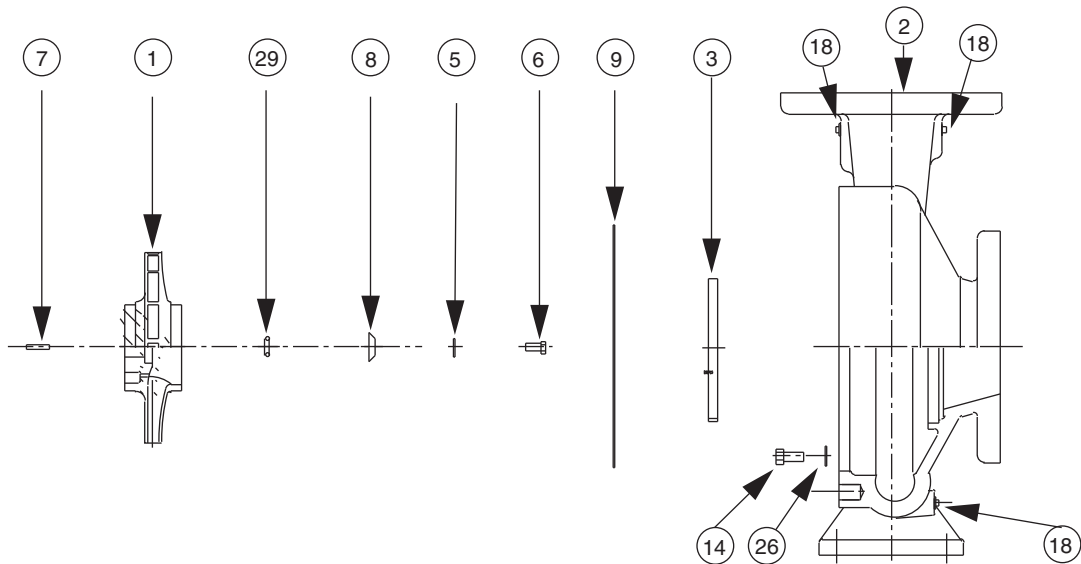
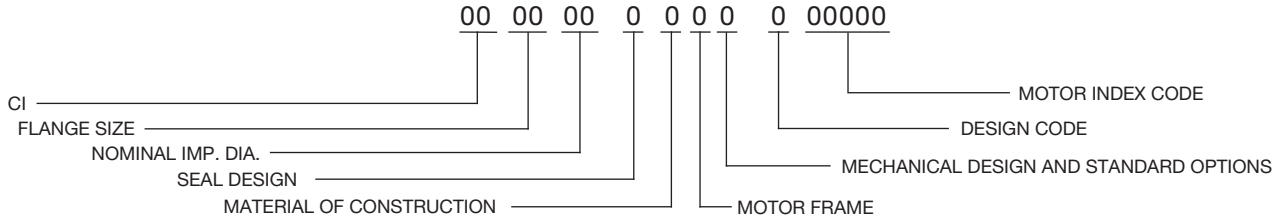
304-392

CI 2510 & CI 2510C

SUPERSEDES: 304-392 January 20, 2012

EFFECTIVE: March 15, 2012

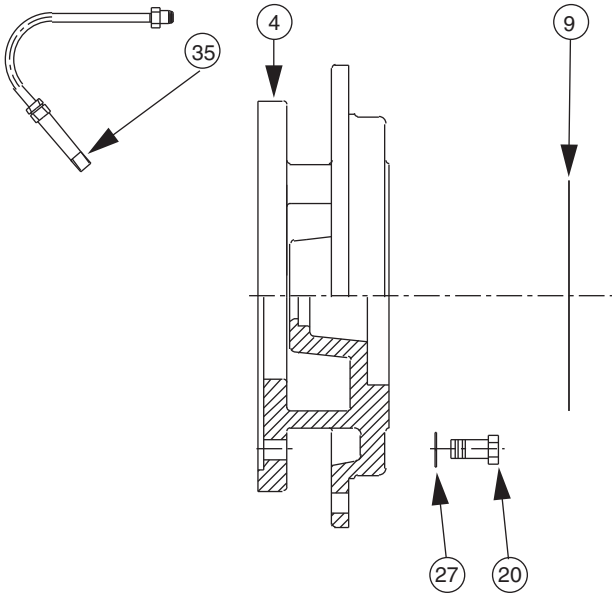
WHEN SELECTING AND ORDERING PARTS, ALWAYS REFER TO SERIAL NUMBER ON NAMEPLATE



ITEM NO.	NO. REQ.	DESCRIPTION	2510		2510C	
			MOTOR FRAME H, J OR K	MOTOR FRAME L	MOTOR FRAMES H, J or K	MOTOR FRAMES L
1	1	IMPELLER (CI)	953-2178RP	953-2180RP	953-3902RP	953-4266RP
1	1	IMPELLER (BRONZE)	953-2179RP	953-2181RP	953-3900RP	953-4265RP
2	1	CASING (125#)(NO/WR)	953-2038RP	953-2038RP	953-3927RP	953-3927RP
2	1	CASING (250#)(NO/WR)	953-2039RP	953-2039RP	953-3928RP	953-3928RP
2	1	CASING (125#)(BRZ W/R)	953-2314RP	953-2314RP	953-4134RP	953-4134RP
2	1	CASING (250#)(BRZ W/R)	953-2315RP	953-2315RP	953-4135RP	953-4135RP
3	1(W/R)	WEAR RING (BRZ)	953-1929RP	953-1929RP	953-1221RP	953-1221RP
5	1	DOWDY WASHER	951-2578RP	951-2579RP	951-2578RP	951-2579RP
6	1	IMPELLER BOLT (SST)	3/8NCX2LG	1/2NCX1-3/4LG	3/8NC X 1-1/2LG	1/2NC X 1-3/4LG
7	1	IMPELLER KEY (SST)	3/16X3/16X2-1/8LG	1/4X1/4X2 1/2LG	3/16 X 3/16 X 1-3/8LG	1/4 X 1/4 X 2LG
8	1	IMPELLER WASHER	953-828RP	953-829RP	953-828RP	953-829RP
9	1	GASKET (CASING)	953-1010RP	953-1010RP	953-4287RP	953-4287RP
14	12	CASING BOLT (ST)	1/2NC X1-1/4 LG	1/2NC X 1-1/4LG	1/2NC X1-1/4 LG	1/2NC X 1-1/4LG
18	3	PIPE PLUG (STEEL)	1/4 NPT	1/4 NPT	1/4 NPT	1/4 NPT
26	12	CASING WASHER (ZN)	1/2	1/2	1/2	1/2
29	1	IMPELLER "O"-RING	953-830RP	953-759RP	592-525RP	950-111RP

AW-771 REV D

CI Series Cover Replacement Parts

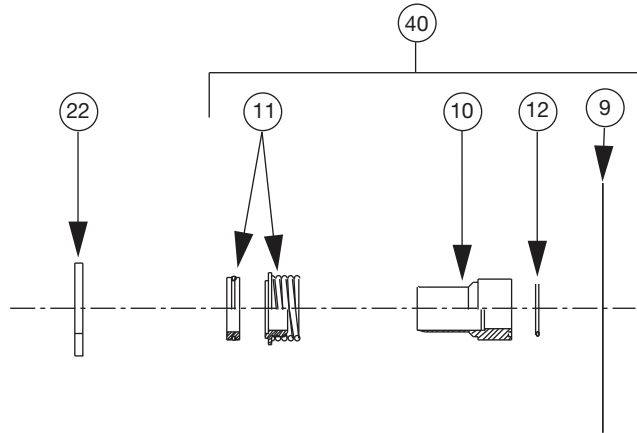


CI 2510							
ITEM NO.	NO. REQ.	DESCRIPTION	MOTOR FRAME				
			H OR J	K	L	M OR N	R
4	1	COVER (125#)	953-1963RP	953-1964RP	953-1965RP	---	---
4	1	COVER (250#)	953-1963RP	953-1964RP	953-1965RP	---	---
9	1	GASKET (CASING)	SEE PAGE 1	SEE PAGE 1	SEE PAGE 1	---	---
20	4	MOTOR BOLT	3/8NCX1LG	1/2NCX1-1/4LG	1/2NCX1-1/2LG	---	---
27	4	MOTOR WASHER	3/8	1/2	1/2	---	---
35	1	TUBE KIT	951-1547RP	951-1547RP	951-1547RP	---	---

CI 2510C							
ITEM NO.	NO. REQ.	DESCRIPTION	MOTOR FRAME				
			H OR J	K	L	M OR N	R
4	1	COVER (125#)	953-3921RP	953-4419RP	953-4421RP	---	---
4	1	COVER (250#)	953-4418RP	953-4420RP	953-4422RP	---	---
9	1	GASKET (CASING)	SEE PAGE 1	SEE PAGE 1	SEE PAGE 1	---	---
20	4	MOTOR BOLT	3/8NCX1LG	1/2NCX1-1/4LG	1/2NCX1-1/2LG	---	---
27	4	MOTOR WASHER	3/8	1/2	1/2	---	---
35	1	TUBE KIT	951-1547RP	951-1547RP	951-1547RP	---	---

AW-772 REV A

CI Series Seal Replacement Parts



1206, 1506, 2506		1206, 1506, 2506	
1207, 1507, 2007, 2507, 3007, 4075, 4007, 5007	1207, 1507, 2007, 2507, 3007, 4075, 4007, 5007	1207, 1507, 2007, 2507, 3007, 4075, 4007, 5007	1207, 1507, 2007, 2507, 3007, 4075, 4007, 5007
2508	2508	2508	2508
1509, 2009, 2509, 3009, 4009, 5009, 5095, 6009	1509, 2009, 2509, 3009, 4009, 5009, 5095, 6009	1509, 2009, 2509, 3009, 4009, 5009, 5095, 6009	1509, 2009, 2509, 3009, 4009, 5009, 5095, 6009
1511, 2511, 3011, 4011 5011	1511, 2511, 3011, 4011, 5011, 6011	1511, 2511, 3011, 4011 5011	1511, 2511, 3011, 4011, 5011, 6011
2510, 2510C	2510, 2510C	2510, 2510C	2510, 2510C
2513, 3013, 4013, 5013	2513, 3013, 4013, 5013 6013	2513, 3013, 4013, 5013	2513, 3013, 4013, 5013 6013

ITEM NO.	NO. REQ.	DESCRIPTION	MOTOR FRAME		MOTOR FRAME	
			H, J OR K	L,M,N OR R	H, J OR K	L,M,N OR R
			MECHANICAL DES. A (125#)		MECHANICAL DES. B (250#)	
9	1	GASKET (CASING)	SEE PAGE 1	SEE PAGE 1	SEE PAGE 1	SEE PAGE 1
10	1	SLEEVE (SS)	953-1118RP	953-1170RP	953-1892RP	953-1891RP
10	1	SLEEVE (BRONZE)	953-1119RP	953-1171RP	953-1861RP	953-1887RP
11	1	SEAL (TYPE B)	951-3157RP	951-3158RP	951-3766RP	951-5158RP
11	1	SEAL (TYPE D)	951-3159RP	951-3160RP	951-3781RP	951-5159RP
11	1	SEAL (TYPE E)	951-3161RP	951-3162RP	951-3782RP	951-5160RP
12	1	SLEEVE GASKET	592-525RP	951-3042RP	953-525RP	951-3042RP
22	1	DEFLECTOR	900-044RP	951-3065RP	900-044RP	951-3065RP
40	1	SEAL KIT (TYPE B) SS	953-1549-1RP	953-1549-4RP	953-1549-7RP	953-1549-10RP
40	1	SEAL KIT (TYPE B) BRZ	953-1549-1BRP	953-1549-4BRP	953-1549-7BRP	953-1549-10BRP
40	1	SEAL KIT (TYPE D) SS	953-1549-2RP	953-1549-5RP	953-1549-8RP	953-1549-11RP
40	1	SEAL KIT (TYPE D) BRZ	953-1549-2BRP	953-1549-5BRP	953-1549-8BRP	953-1549-11BRP
40	1	SEAL KIT (TYPE E) SS	953-1549-3RP	953-1549-6RP	953-1549-9RP	953-1549-12RP
40	1	SEAL KIT (TYPE E) BRZ	953-1549-3BRP	953-1549-6BRP	953-1549-9BRP	953-1549-12BRP

AW-687 REV D

Do it Once. Do it Right.™

TACO, INC., 1160 Cranston Street, Cranston, RI 02920 Telephone: (401) 942-8000 FAX: (401) 942-2360.
TACO (Canada), Ltd., 6180 Ordan Drive, Mississauga, Ontario L5T 2B3. Telephone: 905/564-9422. FAX: 905/564-9436.

Visit our web site at: <http://www.taco-hvac.com>

Printed in USA
Copyright 2012
TACO, Inc.