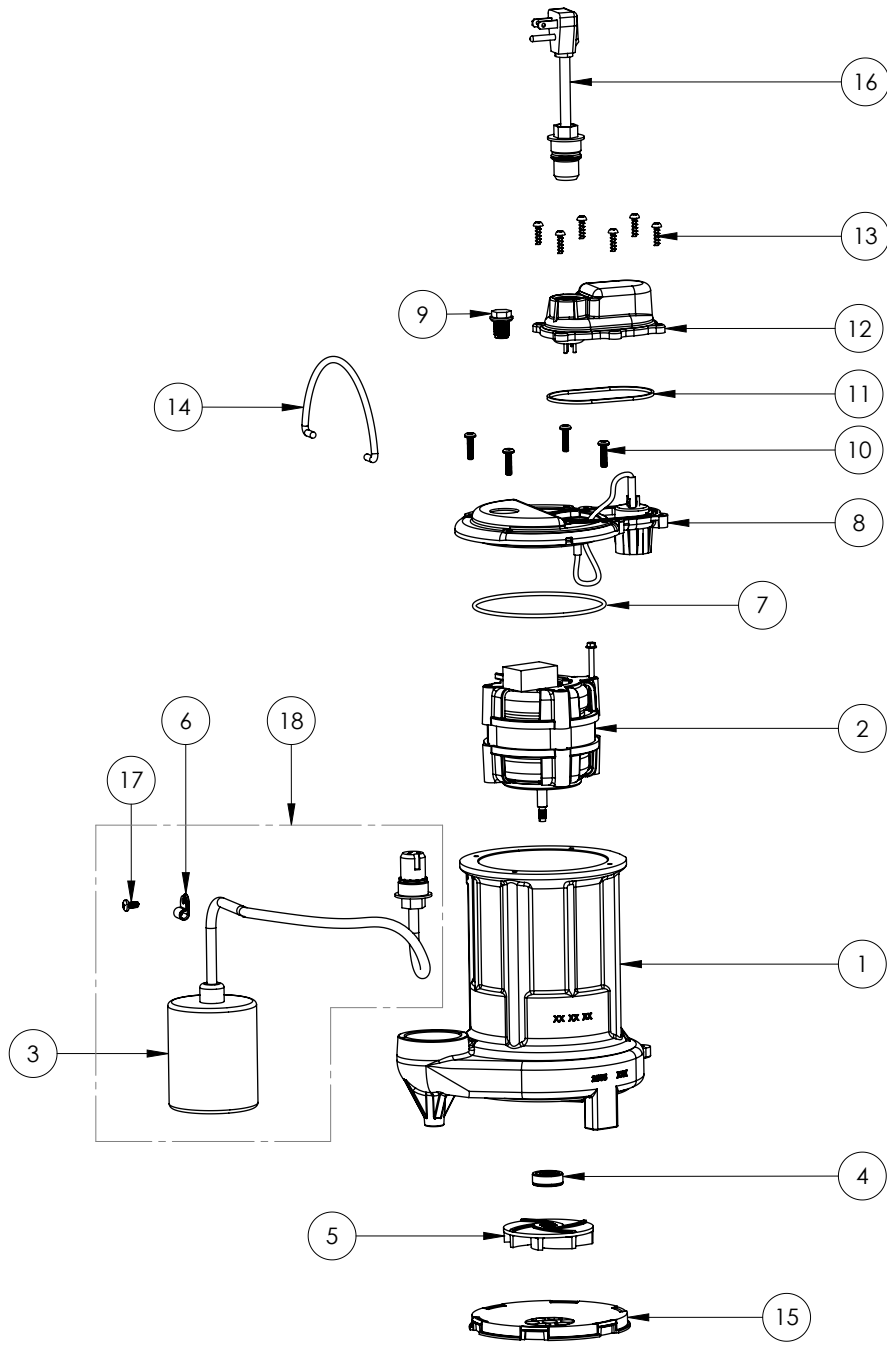


251-5 (B59)



251-5**251-5 (B59)**

#	PART #	DESCRIPTION	QTY	Note
1	25050CJ	CAST IRON HOUSING WITH HOLE FOR SWITCH	1	
2	2415200	PSC MOTOR	1	[1]
3	K001363	PUMP SWITCH KIT	1	
4	K001254	3043000 5/16" SHAFT SEAL	1	[1]
5	K001331	IMPELLER	1	
6	8014000	CABLE CLAMP	1	
7	2357000	O-RING	1	[1]
8	240600B	MOTOR COVER	1	
9	8089000	OIL PLUG, O-RING ASSEMBLY	1	
10	8072000	#10 - 24 x 3/4" SCREW#10 - 24 x 3/4 SCREW	4	
11	K001046	SEALRING, CHAMBER COVER	1	
12	240700B	CHAMBER COVER	1	
13	8104200	#10 HILO X 5/8" STAINLESS STEEL SCREW	6	
14	K001082	HANDLE	1	
15	2502000	PLASTIC SCREEN	1	
16	K001345	POWER CORD, 50FT.	1	
17	8082000	#10-24 x 3/8 EPOXY LOCK SCREW	1	
18	K001363	PUMP SWITCH KIT	1	

PART NOTES:

[1] - Part requires factory authorized service. Contact Liberty Pumps at 1-800-543-2550