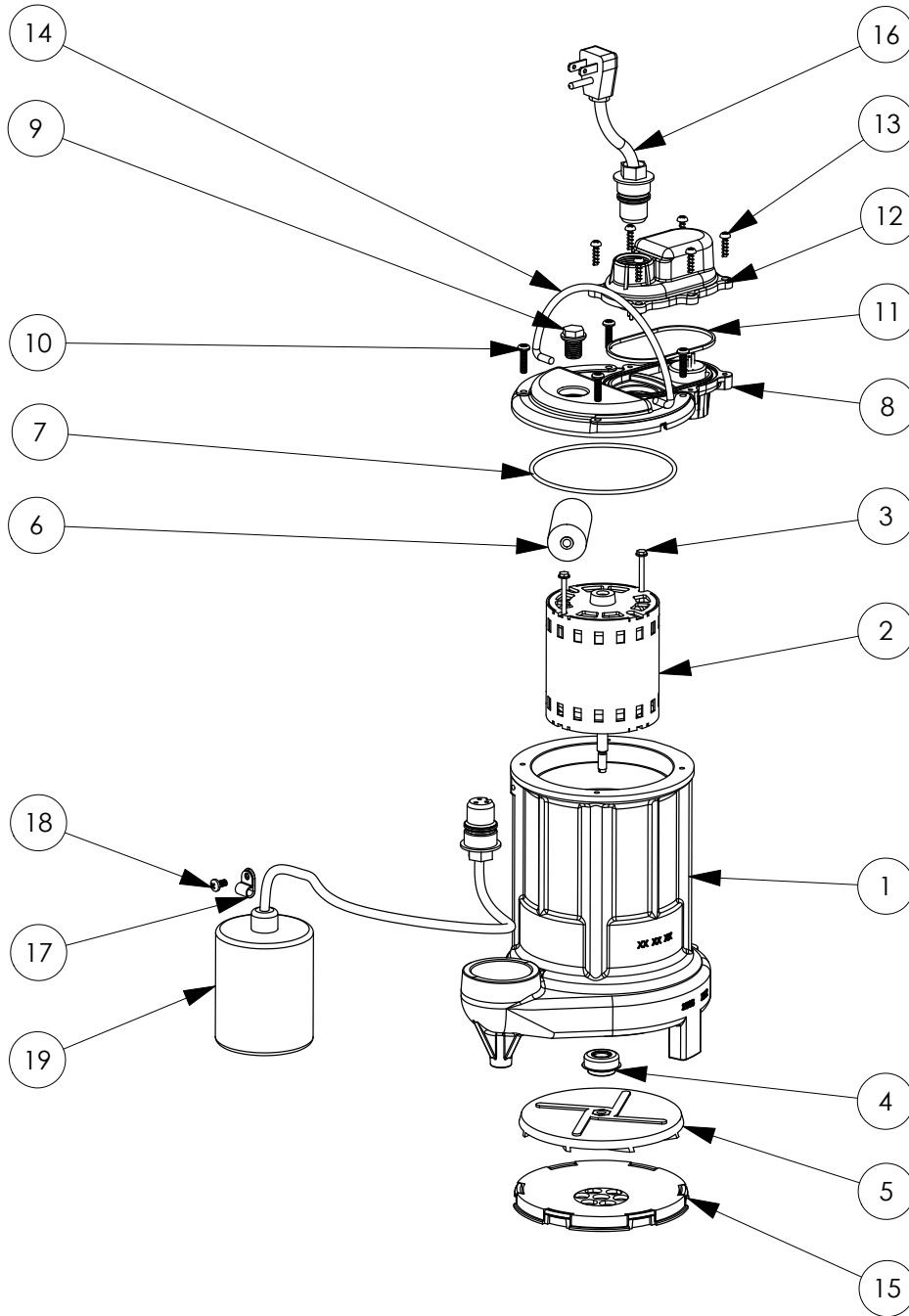


251-2 (B10)



**251-2****251-2 (B10)**

#	PART #	DESCRIPTION	QTY	Note
1	25050AG	CAST IRON HOUSING WITH HOLE	1	
2	2329000	PSC MOTOR	1	
3	8079000	MOTOR STATOR BOLTS	2	[1]
4	2309000	5/16 SHAFT SEAL	1	
5	K001093	IMPELLER	1	
6	23430E0	CAPACITOR	1	
7	2357000	O-RING	1	[1]
8	240600G	MOTOR COVER, GREY	1	
9	8089000	OIL PLUG, O-RING ASSEMBLY	1	
10	8072000	#10 - 24 x 3/4" SCREW	4	
11	K001046	SEALRING, CHAMBER COVER	1	
12	240700G	CHAMBER COVER, GREY	1	
13	8104200	#10 HILO X 5/8" STAINLESS STEEL SCREW	6	
14	K001082	HANDLE	1	
15	2502000	PLASTIC SCREEN	1	
16	K001008	POWER CORD, 115V, 25 FOOT CORD	1	
17	8014000	CABLE CLAMP	1	
18	8082000	#10-24 x 3/8 EPOXY LOCK SCREW	1	
19	K001080	2405000 MECHANICAL SWITCH W/ QUICKPLUG	1	

**PART NOTES:**

[1] - Part requires factory authorized service. Contact Liberty Pumps at 1-800-543-2550