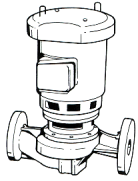


|                    |                        |              |
|--------------------|------------------------|--------------|
| <b>JOB:</b>        | <b>REPRESENTATIVE:</b> |              |
| <b>UNIT TAG:</b>   | <b>ORDER NO.:</b>      | <b>DATE:</b> |
| <b>ENGINEER:</b>   | <b>SUBMITTED BY:</b>   | <b>DATE:</b> |
| <b>CONTRACTOR:</b> | <b>APPROVED BY:</b>    | <b>DATE:</b> |



## 2.5x2.5x7B Series e-80 In-Line Mounted Centrifugal Pumps

**SPECIFICATIONS**

FLOW \_\_\_\_\_ HEAD \_\_\_\_\_  
 HP \_\_\_\_\_ RPM \_\_\_\_\_  
 VOLTS \_\_\_\_\_  
 CYCLE \_\_\_\_\_ INPUT PHASE \_\_\_\_\_  
 ENCLOSURE \_\_\_\_\_  
 APPROX. WEIGHT \_\_\_\_\_  
 SPECIALS \_\_\_\_\_

**MATERIALS OF CONSTRUCTION**

Stainless Steel Fitted

**MAXIMUM WORKING PRESSURE**

- 175 psi (12 bar) with 125# ANSI flange drilling
- 250 psi (17 bar) with 250# ANSI flange drilling (requires 80-S)
- 300 psi (21 bar) W.P. with 250# ANSI flange drilling (Requires -S and EPR-Silicon Carbide-Silicon Carbide Seal)

**MOUNTING**

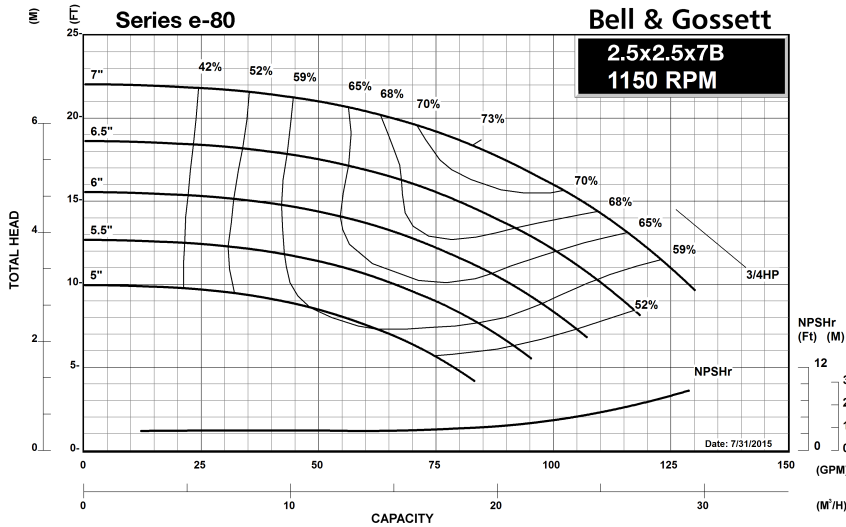
- In-Line Piping
- Flange Supports

**PUMP VARIABLE SPEED CONTROL**

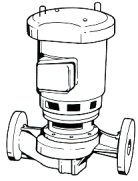
- Integrated Technologic® Sensorless Control (ITSC)
- Integrated Technologic® (IT)
  - External input by others
  - Pressure Sensor(s)
  - Differential Pressure Sensor(s)
  - Flow Sensor(s)
- By Others

**TYPE OF SEAL**

- F Standard Seal w/ Flush Line (Buna-Carbon/Ceramic)
- S Stuffing Box construction w/ Flushed Mechanical Single Seal (EPR-Tungsten Carbide/Carbon)
- PF Stuffing Box Construction w/ Flushed Packing (Graphite Impregnated PTFE)



|                    |                        |              |
|--------------------|------------------------|--------------|
| <b>JOB:</b>        | <b>REPRESENTATIVE:</b> |              |
| <b>UNIT TAG:</b>   | <b>ORDER NO.:</b>      | <b>DATE:</b> |
| <b>ENGINEER:</b>   | <b>SUBMITTED BY:</b>   | <b>DATE:</b> |
| <b>CONTRACTOR:</b> | <b>APPROVED BY:</b>    | <b>DATE:</b> |



## 2.5x2.5x7B Series e-80 In-Line Mounted Centrifugal Pumps

**SPECIFICATIONS**

FLOW \_\_\_\_\_ HEAD \_\_\_\_\_  
 HP \_\_\_\_\_ RPM \_\_\_\_\_  
 VOLTS \_\_\_\_\_  
 CYCLE \_\_\_\_\_ INPUT PHASE \_\_\_\_\_  
 ENCLOSURE \_\_\_\_\_  
 APPROX. WEIGHT \_\_\_\_\_  
 SPECIALS \_\_\_\_\_

**MATERIALS OF CONSTRUCTION**

Stainless Steel Fitted

**MAXIMUM WORKING PRESSURE**

- 175 psi (12 bar) with 125# ANSI flange drilling
- 250 psi (17 bar) with 250# ANSI flange drilling (requires 80-S)
- 300 psi (21 bar) W.P. with 250# ANSI flange drilling (Requires -S and EPR-Silicon Carbide-Silicon Carbide Seal)

**MOUNTING**

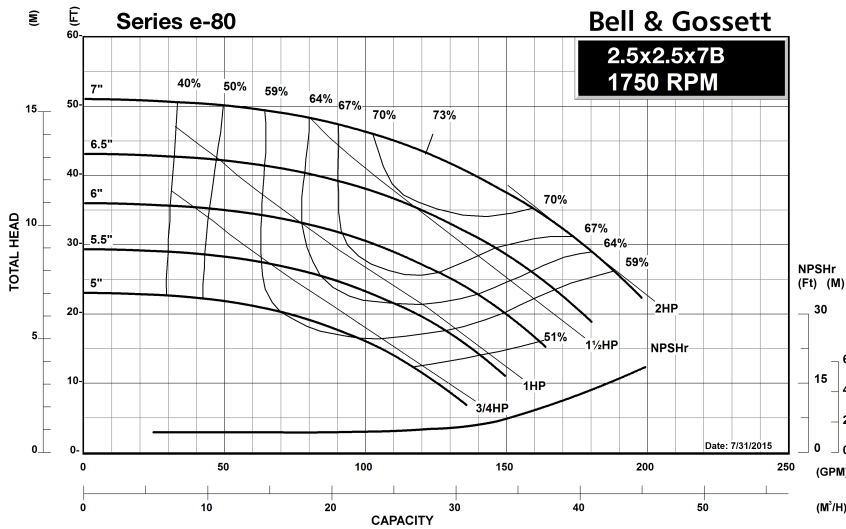
- In-Line Piping
- Flange Supports

**PUMP VARIABLE SPEED CONTROL**

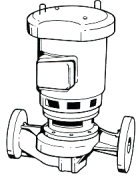
- Integrated Technologic® Sensorless Control (ITSC)
- Integrated Technologic® (IT)
  - External input by others
  - Pressure Sensor(s)
  - Differential Pressure Sensor(s)
  - Flow Sensor(s)
- By Others

**TYPE OF SEAL**

- F Standard Seal w/ Flush Line (Buna-Carbon/Ceramic)
- S Stuffing Box construction w/ Flushed Mechanical Single Seal (EPR-Tungsten Carbide/Carbon)
- PF Stuffing Box Construction w/ Flushed Packing (Graphite Impregnated PTFE)



|                    |                        |              |
|--------------------|------------------------|--------------|
| <b>JOB:</b>        | <b>REPRESENTATIVE:</b> |              |
| <b>UNIT TAG:</b>   | <b>ORDER NO.:</b>      | <b>DATE:</b> |
| <b>ENGINEER:</b>   | <b>SUBMITTED BY:</b>   | <b>DATE:</b> |
| <b>CONTRACTOR:</b> | <b>APPROVED BY:</b>    | <b>DATE:</b> |



## 2.5x2.5x7B Series e-80 In-Line Mounted Centrifugal Pumps

**SPECIFICATIONS**

FLOW \_\_\_\_\_ HEAD \_\_\_\_\_  
 HP \_\_\_\_\_ RPM \_\_\_\_\_  
 VOLTS \_\_\_\_\_  
 CYCLE \_\_\_\_\_ INPUT PHASE \_\_\_\_\_  
 ENCLOSURE \_\_\_\_\_  
 APPROX. WEIGHT \_\_\_\_\_  
 SPECIALS \_\_\_\_\_

**MATERIALS OF CONSTRUCTION**

Stainless Steel Fitted

**MAXIMUM WORKING PRESSURE**

- 175 psi (12 bar) with 125# ANSI flange drilling
- 250 psi (17 bar) with 250# ANSI flange drilling (requires 80-S)
- 300 psi (21 bar) W.P. with 250# ANSI flange drilling (Requires -S and EPR-Silicon Carbide-Silicon Carbide Seal)

**MOUNTING**

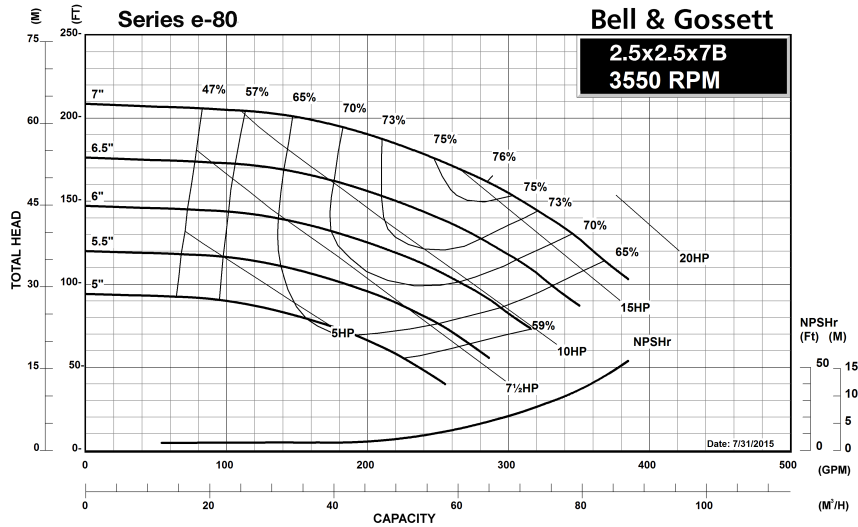
- In-Line Piping
- Flange Supports

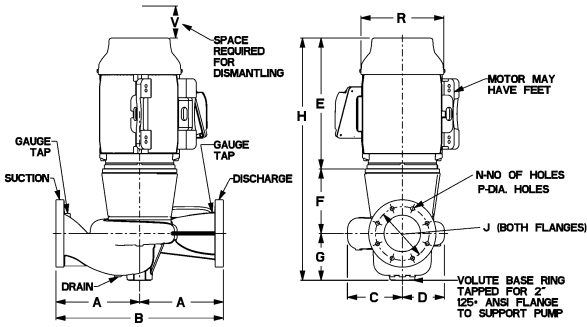
**PUMP VARIABLE SPEED CONTROL**

- Integrated Technologic® Sensorless Control (ITSC)
- Integrated Technologic® (IT)
  - External input by others
  - Pressure Sensor(s)
  - Differential Pressure Sensor(s)
  - Flow Sensor(s)
- By Others

**TYPE OF SEAL**

- F Standard Seal w/ Flush Line (Buna-Carbon/Ceramic)
- S Stuffing Box construction w/ Flushed Mechanical Single Seal (EPR-Tungsten Carbide/Carbon)
- PF Stuffing Box Construction w/ Flushed Packing (Graphite Impregnated PTFE)





# 2.5x2.5x7B Series e-80 Centrifugal Pump Submittal - In-Line Piping

**DIMENSIONS - Inches (mm)**

**STANDARD SEAL**

| MOTOR FRAME | A             | B              | C             | D             | E (max)        | F             | G             | H (max)        | 125# ANSI     |   |              | 250# ANSI     |   |              | R              | S (Max)*     | V (min)       | Suct/Disch Gauge Taps (NPT) | Drain Tap (NPT) |
|-------------|---------------|----------------|---------------|---------------|----------------|---------------|---------------|----------------|---------------|---|--------------|---------------|---|--------------|----------------|--------------|---------------|-----------------------------|-----------------|
|             |               |                |               |               |                |               |               |                | J             | N | P            | J             | N | P            |                |              |               |                             |                 |
| 143JM       | 9.00<br>(229) | 18.00<br>(457) | 4.70<br>(119) | 5.46<br>(139) | 11.63<br>(295) | 4.88<br>(124) | 5.40<br>(137) | 21.90<br>(556) | 5.50<br>(140) | 4 | 0.75<br>(19) | 5.88<br>(149) | 8 | 0.88<br>(22) | 9.75<br>(248)  | 1.50<br>(38) | 4.50<br>(114) | 0.25                        | 0.25            |
| 145JM       | 9.00<br>(229) | 18.00<br>(457) | 4.70<br>(119) | 5.46<br>(139) | 12.63<br>(321) | 4.88<br>(124) | 5.40<br>(137) | 22.90<br>(582) | 5.50<br>(140) | 4 | 0.75<br>(19) | 5.88<br>(149) | 8 | 0.88<br>(22) | 9.75<br>(248)  | 1.50<br>(38) | 4.50<br>(114) | 0.25                        | 0.25            |
| 182JM       | 9.00<br>(229) | 18.00<br>(457) | 4.70<br>(119) | 5.46<br>(139) | 15.31<br>(389) | 4.88<br>(124) | 5.40<br>(137) | 25.59<br>(650) | 5.50<br>(140) | 4 | 0.75<br>(19) | 5.88<br>(149) | 8 | 0.88<br>(22) | 11.75<br>(298) | 1.00<br>(25) | 4.50<br>(114) | 0.25                        | 0.25            |
| 184JM       | 9.00<br>(229) | 18.00<br>(457) | 4.70<br>(119) | 5.46<br>(139) | 15.31<br>(389) | 4.88<br>(124) | 5.40<br>(137) | 25.59<br>(650) | 5.50<br>(140) | 4 | 0.75<br>(19) | 5.88<br>(149) | 8 | 0.88<br>(22) | 11.75<br>(298) | 1.00<br>(25) | 4.50<br>(114) | 0.25                        | 0.25            |
| 213JM       | 9.00<br>(229) | 18.00<br>(457) | 4.70<br>(119) | 5.46<br>(139) | 19.25<br>(489) | 4.88<br>(124) | 5.40<br>(137) | 29.53<br>(750) | 5.50<br>(140) | 4 | 0.75<br>(19) | 5.88<br>(149) | 8 | 0.88<br>(22) | 14.00<br>(356) | -            | 4.50<br>(114) | 0.25                        | 0.25            |
| 215JM       | 9.00<br>(229) | 18.00<br>(457) | 4.70<br>(119) | 5.46<br>(139) | 19.25<br>(489) | 4.88<br>(124) | 5.40<br>(137) | 29.53<br>(750) | 5.50<br>(140) | 4 | 0.75<br>(19) | 5.88<br>(149) | 8 | 0.88<br>(22) | 14.00<br>(356) | -            | 4.50<br>(114) | 0.25                        | 0.25            |
| 254JM       | 9.00<br>(229) | 18.00<br>(457) | 4.70<br>(119) | 5.46<br>(139) | 24.13<br>(613) | 5.88<br>(149) | 5.40<br>(137) | 35.40<br>(899) | 5.50<br>(140) | 4 | 0.75<br>(19) | 5.88<br>(149) | 8 | 0.88<br>(22) | 17.00<br>(432) | -            | 4.50<br>(114) | 0.25                        | 0.25            |

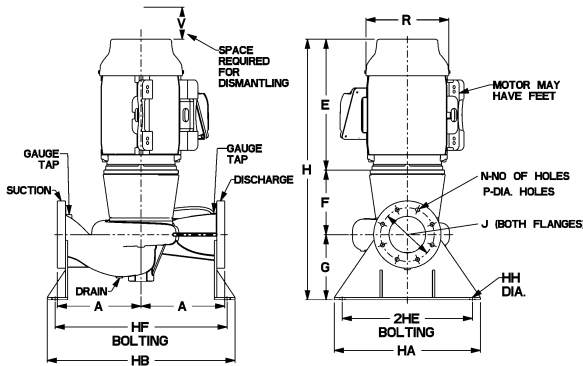
**STUFFING BOX**

| MOTOR FRAME | A             | B              | C             | D             | E (max)        | F             | G             | H (max)        | 125# ANSI     |   |              | 250# ANSI     |   |              | R              | S (Max)*     | V (min)       | Suct/Disch Gauge Taps (NPT) | Drain Tap (NPT) |
|-------------|---------------|----------------|---------------|---------------|----------------|---------------|---------------|----------------|---------------|---|--------------|---------------|---|--------------|----------------|--------------|---------------|-----------------------------|-----------------|
|             |               |                |               |               |                |               |               |                | J             | N | P            | J             | N | P            |                |              |               |                             |                 |
| 143JP       | 9.00<br>(229) | 18.00<br>(457) | 4.70<br>(119) | 5.46<br>(139) | 11.63<br>(295) | 8.00<br>(203) | 5.40<br>(137) | 25.03<br>(636) | 5.50<br>(140) | 4 | 0.75<br>(19) | 5.88<br>(149) | 8 | 0.88<br>(22) | 9.75<br>(248)  | 1.50<br>(38) | 4.50<br>(114) | 0.25                        | 0.25            |
| 145JP       | 9.00<br>(229) | 18.00<br>(457) | 4.70<br>(119) | 5.46<br>(139) | 12.63<br>(321) | 8.00<br>(203) | 5.40<br>(137) | 26.03<br>(661) | 5.50<br>(140) | 4 | 0.75<br>(19) | 5.88<br>(149) | 8 | 0.88<br>(22) | 9.75<br>(248)  | 1.50<br>(38) | 4.50<br>(114) | 0.25                        | 0.25            |
| 182JP       | 9.00<br>(229) | 18.00<br>(457) | 4.70<br>(119) | 5.46<br>(139) | 15.31<br>(389) | 8.00<br>(203) | 5.40<br>(137) | 28.71<br>(729) | 5.50<br>(140) | 4 | 0.75<br>(19) | 5.88<br>(149) | 8 | 0.88<br>(22) | 11.75<br>(298) | 1.00<br>(25) | 4.50<br>(114) | 0.25                        | 0.25            |
| 184JP       | 9.00<br>(229) | 18.00<br>(457) | 4.70<br>(119) | 5.46<br>(139) | 15.31<br>(389) | 8.00<br>(203) | 5.40<br>(137) | 28.71<br>(729) | 5.50<br>(140) | 4 | 0.75<br>(19) | 5.88<br>(149) | 8 | 0.88<br>(22) | 11.75<br>(298) | 1.00<br>(25) | 4.50<br>(114) | 0.25                        | 0.25            |
| 213JP       | 9.00<br>(229) | 18.00<br>(457) | 4.70<br>(119) | 5.46<br>(139) | 19.25<br>(489) | 8.75<br>(222) | 5.40<br>(137) | 33.40<br>(848) | 5.50<br>(140) | 4 | 0.75<br>(19) | 5.88<br>(149) | 8 | 0.88<br>(22) | 14.00<br>(356) | -            | 4.50<br>(114) | 0.25                        | 0.25            |
| 215JP       | 9.00<br>(229) | 18.00<br>(457) | 4.70<br>(119) | 5.46<br>(139) | 19.25<br>(489) | 8.75<br>(222) | 5.40<br>(137) | 33.40<br>(848) | 5.50<br>(140) | 4 | 0.75<br>(19) | 5.88<br>(149) | 8 | 0.88<br>(22) | 14.00<br>(356) | -            | 4.50<br>(114) | 0.25                        | 0.25            |
| 254JP       | 9.00<br>(229) | 18.00<br>(457) | 4.70<br>(119) | 5.46<br>(139) | 24.13<br>(613) | 8.75<br>(222) | 5.40<br>(137) | 38.28<br>(972) | 5.50<br>(140) | 4 | 0.75<br>(19) | 5.88<br>(149) | 8 | 0.88<br>(22) | 17.00<br>(432) | -            | 4.50<br>(114) | 0.25                        | 0.25            |

Dimensions are subject to change. Not to be used for construction purposes unless certified.

NOTE: For Single phase Motors add 1" to dimensions E & H.

\*Dimensions are for ODP Motors. For TEFC add S dimension to dimensions E & H.



# 2.5x2.5x7B Series e-80 Centrifugal Pump Submittal - Flange Support Mounting

**DIMENSIONS - Inches (mm)**

**STANDARD SEAL**

| MOTOR FRAME | A             | HF BOLTING     | HB             | 2HE BOLTING    | HA             | HH DIA       | E (max)        | F             | G             | H (max)        | 125# ANSI     |           |              | 250# ANSI     |           |              | R              | S (Max)*     | V (min)       | Suct/Disch Gauge Taps (NPT) | Drain Tap (NPT) |
|-------------|---------------|----------------|----------------|----------------|----------------|--------------|----------------|---------------|---------------|----------------|---------------|-----------|--------------|---------------|-----------|--------------|----------------|--------------|---------------|-----------------------------|-----------------|
|             |               |                |                |                |                |              |                |               |               |                | J             | N         | P            | J             | N         | P            |                |              |               |                             |                 |
| 143JM       | 9.00<br>(229) | 20.20<br>(513) | 23.70<br>(602) | 21.50<br>(546) | 25.00<br>(635) | 0.88<br>(22) | 11.63<br>(295) | 4.88<br>(124) | 5.40<br>(137) | 21.90<br>(556) | 5.50<br>(140) | 4<br>(19) | 0.75<br>(19) | 5.88<br>(149) | 8<br>(22) | 0.88<br>(22) | 9.75<br>(248)  | 1.50<br>(38) | 4.50<br>(114) | 0.25                        | 0.25            |
| 145JM       | 9.00<br>(229) | 20.20<br>(513) | 23.70<br>(602) | 21.50<br>(546) | 25.00<br>(635) | 0.88<br>(22) | 12.63<br>(321) | 4.88<br>(124) | 5.40<br>(137) | 22.90<br>(582) | 5.50<br>(140) | 4<br>(19) | 0.75<br>(19) | 5.88<br>(149) | 8<br>(22) | 0.88<br>(22) | 9.75<br>(248)  | 1.50<br>(38) | 4.50<br>(114) | 0.25                        | 0.25            |
| 182JM       | 9.00<br>(229) | 20.20<br>(513) | 23.70<br>(602) | 21.50<br>(546) | 25.00<br>(635) | 0.88<br>(22) | 15.31<br>(389) | 4.88<br>(124) | 5.40<br>(137) | 25.59<br>(650) | 5.50<br>(140) | 4<br>(19) | 0.75<br>(19) | 5.88<br>(149) | 8<br>(22) | 0.88<br>(22) | 11.75<br>(298) | 1.00<br>(25) | 4.50<br>(114) | 0.25                        | 0.25            |
| 184JM       | 9.00<br>(229) | 20.20<br>(513) | 23.70<br>(602) | 21.50<br>(546) | 25.00<br>(635) | 0.88<br>(22) | 15.31<br>(389) | 4.88<br>(124) | 5.40<br>(137) | 25.59<br>(650) | 5.50<br>(140) | 4<br>(19) | 0.75<br>(19) | 5.88<br>(149) | 8<br>(22) | 0.88<br>(22) | 11.75<br>(298) | 1.00<br>(25) | 4.50<br>(114) | 0.25                        | 0.25            |
| 213JM       | 9.00<br>(229) | 20.20<br>(513) | 23.70<br>(602) | 21.50<br>(546) | 25.00<br>(635) | 0.88<br>(22) | 19.25<br>(489) | 4.88<br>(124) | 5.40<br>(137) | 29.53<br>(750) | 5.50<br>(140) | 4<br>(19) | 0.75<br>(19) | 5.88<br>(149) | 8<br>(22) | 0.88<br>(22) | 14.00<br>(356) | -            | 4.50<br>(114) | 0.25                        | 0.25            |
| 215JM       | 9.00<br>(229) | 20.20<br>(513) | 23.70<br>(602) | 21.50<br>(546) | 25.00<br>(635) | 0.88<br>(22) | 19.25<br>(489) | 4.88<br>(124) | 5.40<br>(137) | 29.53<br>(750) | 5.50<br>(140) | 4<br>(19) | 0.75<br>(19) | 5.88<br>(149) | 8<br>(22) | 0.88<br>(22) | 14.00<br>(356) | -            | 4.50<br>(114) | 0.25                        | 0.25            |
| 254JM       | 9.00<br>(229) | 20.20<br>(513) | 23.70<br>(602) | 21.50<br>(546) | 25.00<br>(635) | 0.88<br>(22) | 24.13<br>(613) | 5.88<br>(149) | 5.40<br>(137) | 35.40<br>(899) | 5.50<br>(140) | 4<br>(19) | 0.75<br>(19) | 5.88<br>(149) | 8<br>(22) | 0.88<br>(22) | 17.00<br>(432) | -            | 4.50<br>(114) | 0.25                        | 0.25            |

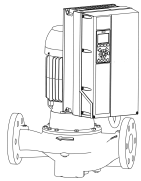
**STUFFING BOX**

| MOTOR FRAME | A             | HF BOLTING     | HB             | 2HE BOLTING    | HA             | HH DIA       | E (max)        | F             | G             | H (max)        | 125# ANSI     |           |              | 250# ANSI     |           |              | R              | S (Max)*     | V (min)       | Suct/Disch Gauge Taps (NPT) | Drain Tap (NPT) |
|-------------|---------------|----------------|----------------|----------------|----------------|--------------|----------------|---------------|---------------|----------------|---------------|-----------|--------------|---------------|-----------|--------------|----------------|--------------|---------------|-----------------------------|-----------------|
|             |               |                |                |                |                |              |                |               |               |                | J             | N         | P            | J             | N         | P            |                |              |               |                             |                 |
| 143JP       | 9.00<br>(229) | 20.20<br>(513) | 23.70<br>(602) | 21.50<br>(546) | 25.00<br>(635) | 0.88<br>(22) | 11.63<br>(295) | 8.00<br>(203) | 5.40<br>(137) | 25.03<br>(636) | 5.50<br>(140) | 4<br>(19) | 0.75<br>(19) | 5.88<br>(149) | 8<br>(22) | 0.88<br>(22) | 9.75<br>(248)  | 1.50<br>(38) | 4.50<br>(114) | 0.25                        | 0.25            |
| 145JP       | 9.00<br>(229) | 20.20<br>(513) | 23.70<br>(602) | 21.50<br>(546) | 25.00<br>(635) | 0.88<br>(22) | 12.63<br>(321) | 8.00<br>(203) | 5.40<br>(137) | 26.03<br>(661) | 5.50<br>(140) | 4<br>(19) | 0.75<br>(19) | 5.88<br>(149) | 8<br>(22) | 0.88<br>(22) | 9.75<br>(248)  | 1.50<br>(38) | 4.50<br>(114) | 0.25                        | 0.25            |
| 182JP       | 9.00<br>(229) | 20.20<br>(513) | 23.70<br>(602) | 21.50<br>(546) | 25.00<br>(635) | 0.88<br>(22) | 15.31<br>(389) | 8.00<br>(203) | 5.40<br>(137) | 28.71<br>(729) | 5.50<br>(140) | 4<br>(19) | 0.75<br>(19) | 5.88<br>(149) | 8<br>(22) | 0.88<br>(22) | 11.75<br>(298) | 1.00<br>(25) | 4.50<br>(114) | 0.25                        | 0.25            |
| 184JP       | 9.00<br>(229) | 20.20<br>(513) | 23.70<br>(602) | 21.50<br>(546) | 25.00<br>(635) | 0.88<br>(22) | 15.31<br>(389) | 8.00<br>(203) | 5.40<br>(137) | 28.71<br>(729) | 5.50<br>(140) | 4<br>(19) | 0.75<br>(19) | 5.88<br>(149) | 8<br>(22) | 0.88<br>(22) | 11.75<br>(298) | 1.00<br>(25) | 4.50<br>(114) | 0.25                        | 0.25            |
| 213JP       | 9.00<br>(229) | 20.20<br>(513) | 23.70<br>(602) | 21.50<br>(546) | 25.00<br>(635) | 0.88<br>(22) | 19.25<br>(489) | 8.75<br>(222) | 5.40<br>(137) | 33.40<br>(848) | 5.50<br>(140) | 4<br>(19) | 0.75<br>(19) | 5.88<br>(149) | 8<br>(22) | 0.88<br>(22) | 14.00<br>(356) | -            | 4.50<br>(114) | 0.25                        | 0.25            |
| 215JP       | 9.00<br>(229) | 20.20<br>(513) | 23.70<br>(602) | 21.50<br>(546) | 25.00<br>(635) | 0.88<br>(22) | 19.25<br>(489) | 8.75<br>(222) | 5.40<br>(137) | 33.40<br>(848) | 5.50<br>(140) | 4<br>(19) | 0.75<br>(19) | 5.88<br>(149) | 8<br>(22) | 0.88<br>(22) | 14.00<br>(356) | -            | 4.50<br>(114) | 0.25                        | 0.25            |
| 254JP       | 9.00<br>(229) | 20.20<br>(513) | 23.70<br>(602) | 21.50<br>(546) | 25.00<br>(635) | 0.88<br>(22) | 24.13<br>(613) | 8.75<br>(222) | 5.40<br>(137) | 38.28<br>(972) | 5.50<br>(140) | 4<br>(19) | 0.75<br>(19) | 5.88<br>(149) | 8<br>(22) | 0.88<br>(22) | 17.00<br>(432) | -            | 4.50<br>(114) | 0.25                        | 0.25            |

Dimensions are subject to change. Not to be used for construction purposes unless certified.

NOTE: For Single phase Motors add 1" to dimensions E & H.

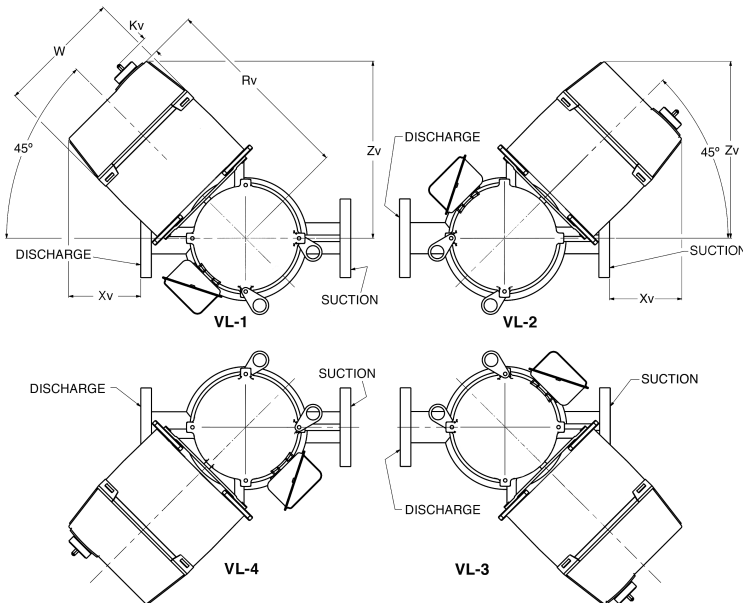
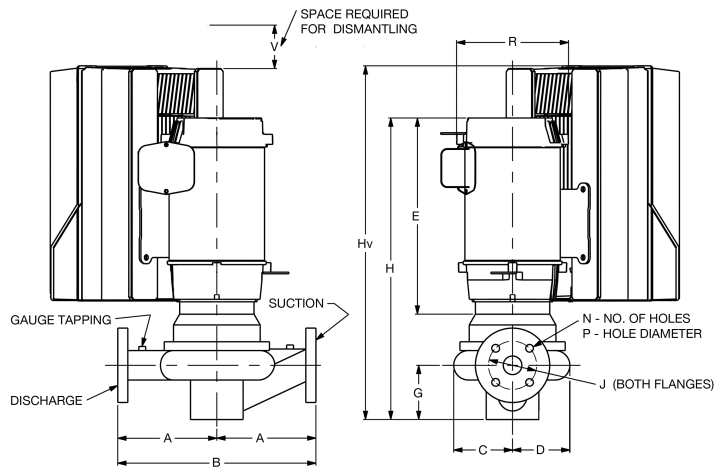
\*Dimensions are for ODP Motors. For TEFC add S dimension to dimensions E & H.



# 2.5x2.5x7B Series e-80

## In-Line Mounted Centrifugal Pumps With Integrated Technologic® Control

| TECHNOLOGIC STANDARD FEATURES   |  |
|---|--|
| CONTROL METHOD WITH INTEGRATED TECHNOLOGIC® SENSORLESS CONTROL (ITSC) | Factory configured for sensorless operation.   |
| CONTROL METHOD WITH INTEGRATED TECHNOLOGIC® (IT)                      | Field configurable for sensor by others, building management system input, or optional sensor(s) provided.     |
| ENCLOSURE   | NEMA 12 (same as IP55 & UL type 12)  |
| POWER DISCONNECT SWITCH   | Included standard. Fused Disconnect Switch optional with three phase input voltage.                            |
| HARMONIC SUPPRESSION  | Integrated non-saturating dual DC link reactors provide better harmonic performance than a 5% AC line reactor. |
| COOLING   | Fan-cooled through temperature controlled and easy replacement.  |
| AMBIENT TEMPERATURE RATING  | 14°F to 113°F (-10°C to 45°C)  |
| COMMUNICATION PROTOCOLS   | BACnet, Modbus RTU, N2 Metasys, FLN Apogee   |
| ANALOG INPUTS   | 2 configurable for either voltage (0 to 10VDC) or current(0/4 to 20mA)   |
| ANALOG OUTPUTS  | 1 (0/4 to 20mA) up to 500 ohm load accurate to 1% of full scale  |
| DIGITAL INPUTS  | 4 (0 to 24VDC), NPN or PNP, 0 to 24VDC, on 5 msec scan interval, Up to 2 can be configured as pulse inputs.    |
| DIGITAL OUTPUTS   | 2 (0 to 24VDC), 40mA max current, configurable as pulse outputs.   |
| RELAY OUTPUTS   | 2 programmable, 240VAC or 400VAC up to 2 A   |
| MINIMUM CONTROL HEAD  | _____ ft (default set to 40% of design head if not unknown)  |



# Series e-80 2.5x2.5x7B

B-139.8

In-Line Mounted Centrifugal Pumps

With Integrated Technologic® Control

| DIMENSIONS - Inches (mm) |     |                |                |                |                 |               | STANDARD SEAL |     |                |                |                |                 | STUFFING BOX  |             |     |                |                |                |                 |               |
|--------------------------|-----|----------------|----------------|----------------|-----------------|---------------|---------------|-----|----------------|----------------|----------------|-----------------|---------------|-------------|-----|----------------|----------------|----------------|-----------------|---------------|
| MOTOR FRAME              | VFD | Rv             | Zv             | W              | Hv              | Xv            | MOTOR FRAME   | VFD | Rv             | Zv             | W              | Hv              | Xv            | MOTOR FRAME | VFD | Rv             | Zv             | W              | Hv              | Xv            |
| 143JM                    | A5  | 11.78<br>(299) | 11.33<br>(288) | 9.50<br>(241)  | 28.39<br>(721)  | 2.33<br>(59)  | 143JP         | A5  | 11.78<br>(299) | 11.33<br>(288) | 9.50<br>(241)  | 31.52<br>(800)  | 2.33<br>(59)  | 143JP       | A5  | 11.78<br>(299) | 11.33<br>(288) | 9.50<br>(241)  | 32.52<br>(826)  | 2.33<br>(59)  |
| 145JM                    | A5  | 11.78<br>(299) | 11.33<br>(288) | 9.50<br>(241)  | 29.39<br>(747)  | 2.33<br>(59)  | 145JP         | A5  | 11.78<br>(299) | 11.33<br>(288) | 9.50<br>(241)  | 32.52<br>(826)  | 2.33<br>(59)  | 145JP       | B1  | 14.07<br>(357) | 12.93<br>(328) | 9.50<br>(241)  | 34.87<br>(886)  | 3.93<br>(100) |
|                          | B1  | 14.07<br>(357) | 12.93<br>(328) | 9.50<br>(241)  | 31.74<br>(806)  | 3.93<br>(100) |               | B1  | 14.07<br>(357) | 12.93<br>(328) | 9.50<br>(241)  | 34.87<br>(886)  | 3.93<br>(100) |             |     |                |                |                |                 |               |
| 182JM                    | A5  | 12.78<br>(325) | 12.03<br>(306) | 9.50<br>(241)  | 28.66<br>(728)  | 3.03<br>(77)  | 182JP         | A5  | 12.78<br>(325) | 12.03<br>(306) | 9.50<br>(241)  | 31.78<br>(807)  | 3.03<br>(77)  | 182JP       | B1  | 15.07<br>(383) | 13.63<br>(346) | 9.50<br>(241)  | 32.78<br>(833)  | 4.63<br>(118) |
|                          | B1  | 15.07<br>(383) | 13.63<br>(346) | 9.50<br>(241)  | 29.66<br>(753)  | 4.63<br>(118) |               | B1  | 15.07<br>(383) | 13.63<br>(346) | 9.50<br>(241)  | 32.78<br>(833)  | 4.63<br>(118) |             |     |                |                |                |                 |               |
| 184JM                    | A5  | 12.78<br>(325) | 12.03<br>(306) | 9.50<br>(241)  | 28.66<br>(728)  | 3.03<br>(77)  | 184JP         | A5  | 12.78<br>(325) | 12.03<br>(306) | 9.50<br>(241)  | 31.78<br>(807)  | 3.03<br>(77)  | 184JP       | B1  | 15.08<br>(383) | 13.69<br>(348) | 9.50<br>(241)  | 32.84<br>(834)  | 4.69<br>(119) |
|                          | B1  | 15.08<br>(383) | 13.69<br>(348) | 9.50<br>(241)  | 29.72<br>(755)  | 4.69<br>(119) |               | B1  | 15.08<br>(383) | 13.69<br>(348) | 9.50<br>(241)  | 32.84<br>(834)  | 4.69<br>(119) |             |     |                |                |                |                 |               |
| 213JM                    | A5  | 13.53<br>(344) | 12.56<br>(319) | 9.50<br>(241)  | 31.95<br>(812)  | 3.56<br>(90)  | 213JP         | A5  | 13.53<br>(344) | 12.56<br>(319) | 9.50<br>(241)  | 35.83<br>(910)  | 3.56<br>(90)  | 213JP       | B1  | 15.84<br>(402) | 14.22<br>(361) | 9.50<br>(241)  | 37.42<br>(951)  | 5.22<br>(133) |
|                          | B1  | 15.84<br>(402) | 14.22<br>(361) | 9.50<br>(241)  | 33.55<br>(852)  | 5.22<br>(133) |               | B1  | 15.84<br>(402) | 14.22<br>(361) | 9.50<br>(241)  | 37.42<br>(951)  | 5.22<br>(133) |             | B2  | 15.84<br>(402) | 14.22<br>(361) | 9.50<br>(241)  | 43.16<br>(1096) | 5.22<br>(133) |
|                          | B2  | 15.84<br>(402) | 14.22<br>(361) | 9.50<br>(241)  | 39.29<br>(998)  | 5.22<br>(133) |               | B2  | 15.84<br>(402) | 14.22<br>(361) | 9.50<br>(241)  | 43.16<br>(1096) | 5.22<br>(133) |             |     |                |                |                |                 |               |
| 215JM                    | A5  | 13.53<br>(344) | 12.56<br>(319) | 9.50<br>(241)  | 30.48<br>(774)  | 3.56<br>(90)  | 215JP         | A5  | 13.53<br>(344) | 12.56<br>(319) | 9.50<br>(241)  | 34.36<br>(873)  | 3.56<br>(90)  | 215JP       | B1  | 15.84<br>(402) | 14.22<br>(361) | 9.50<br>(241)  | 35.89<br>(912)  | 5.22<br>(133) |
|                          | B1  | 15.84<br>(402) | 14.22<br>(361) | 9.50<br>(241)  | 32.02<br>(813)  | 5.22<br>(133) |               | B1  | 15.84<br>(402) | 14.22<br>(361) | 9.50<br>(241)  | 35.89<br>(912)  | 5.22<br>(133) |             | B2  | 15.84<br>(402) | 14.22<br>(361) | 9.50<br>(241)  | 41.63<br>(1057) | 5.22<br>(133) |
|                          | B2  | 15.84<br>(402) | 14.22<br>(361) | 9.50<br>(241)  | 37.76<br>(959)  | 5.22<br>(133) |               | B2  | 15.84<br>(402) | 14.22<br>(361) | 9.50<br>(241)  | 41.63<br>(1057) | 5.22<br>(133) |             | C1  | 17.81<br>(452) | 17.42<br>(442) | 12.10<br>(307) | 43.65<br>(1109) | 8.42<br>(214) |
|                          | C1  | 17.81<br>(452) | 17.42<br>(442) | 12.10<br>(307) | 39.78<br>(1010) | 8.42<br>(214) |               | C1  | 17.81<br>(452) | 17.42<br>(442) | 12.10<br>(307) | 43.65<br>(1109) | 8.42<br>(214) |             |     |                |                |                |                 |               |
| 254JM                    | B1  | 16.83<br>(427) | 14.92<br>(379) | 9.50<br>(241)  | 38.25<br>(972)  | 5.92<br>(150) | 254JP         | B1  | 16.83<br>(427) | 14.92<br>(379) | 9.50<br>(241)  | 41.13<br>(1045) | 5.92<br>(150) | 254JP       | B2  | 16.83<br>(427) | 14.92<br>(379) | 9.50<br>(241)  | 45.58<br>(1158) | 5.92<br>(150) |
|                          | B2  | 16.83<br>(427) | 14.92<br>(379) | 9.50<br>(241)  | 42.70<br>(1085) | 5.92<br>(150) |               | B2  | 16.83<br>(427) | 14.92<br>(379) | 9.50<br>(241)  | 45.58<br>(1158) | 5.92<br>(150) |             | C1  | 18.80<br>(477) | 18.12<br>(460) | 12.10<br>(307) | 46.84<br>(1190) | 9.12<br>(232) |
|                          | C1  | 18.80<br>(477) | 18.12<br>(460) | 12.10<br>(307) | 43.96<br>(1117) | 9.12<br>(232) |               | C1  | 18.80<br>(477) | 18.12<br>(460) | 12.10<br>(307) | 46.84<br>(1190) | 9.12<br>(232) |             |     |                |                |                |                 |               |

NOTE: Drives with single phase input have three phase output and include three phase motors.  
Kv=2 (50)

Xylem Inc.  
8200 N. Austin Avenue, Morton Grove, IL 60053  
Phone: (847)966-3700 Fax: (847)965-8379  
www.bellgossett.com  
Bell & Gossett is a trademark of Xylem Inc. or one of its subsidiaries.  
© 2015 Xylem Inc.

**xylem**  
Let's Solve Water

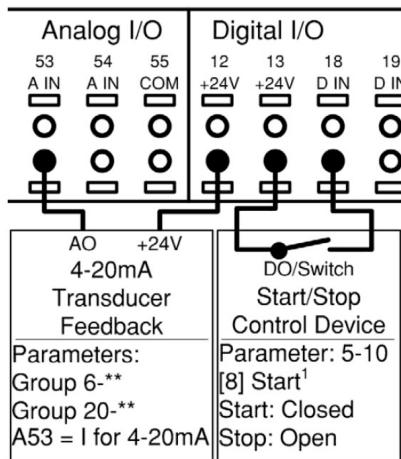


# Pressure Sensor/Transmitter For Pumps with TECHNOLOGIC® Drives

## FEATURES

- 4-20mA output
- 10-28 VDC supply voltage
- Operating Temperature -40 to 85°C (-40 to 185°F)
- Storage Temperature -40 to 100°C (-40 to 212°F)
- Enclosure IP-66 (housing only)
- High Strength Stainless Steel Construction
- No Oil, Welds or Internal O-rings
- Wide Operating Temperature
- Low Static and Thermal Errors
- Compatible with Wide Variety of Liquids and Gases
- EMI/RFI Protection
- UL/cUL 508 Approved (with housing)
- 1lb. (0.45 kg) approximate weight

## TECHNOLOGIC ANALOG SENSOR WIRING



## B&G PART NUMBERS

- S13203 Pressure range: 0-100 psi (0-689 kPa)
- S13204 Pressure range: 0-300 psi (0-2068 kPa)

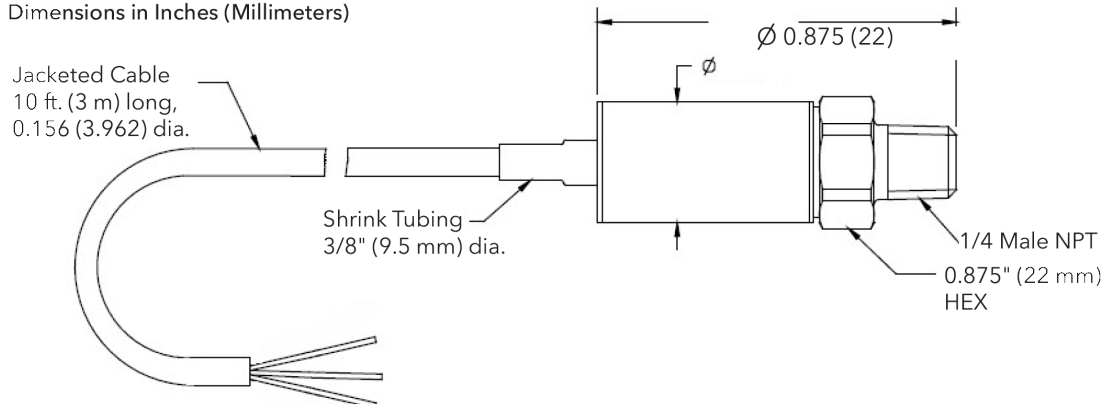
Consult factory for other ranges.

## INSTALLATION CONSIDERATIONS

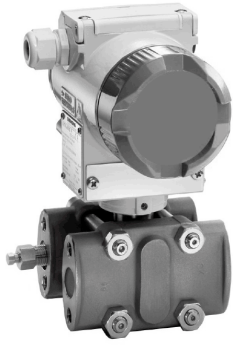
- Standard 24 AWG (0.61 mm dia.) 2 wire shielded cable located in a conduit separate from high voltage wiring
- 24 vdc power supplied from Technologic Controller

## DIMENSIONAL INFORMATION

Dimensions in Inches (Millimeters)





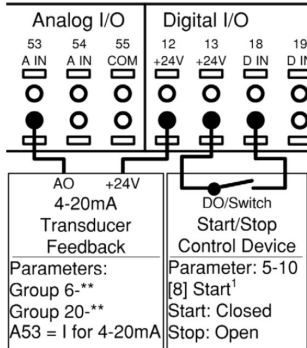


# Differential Pressure Sensor/ Transmitter For Pumps with TECHNOLOGIC® Drives

## FEATURES

- Relays reading to the Technologic controller up to 2000 ft. (610 m) away
- All wetted parts are 316 stainless steel
- Built-in RFI filter effective from 20 to 1000 MHz
- Withstands static pressures up to 2300 PSI (15858 kPa)
- 3 Valve bypass manifold (optional)
- 10 lbs. (4.5 kg) approximate weight

## TECHNOLOGIC ANALOG SENSOR WIRING



## B&G PART NUMBERS

- S100089 Pressure range: 0 - 40 psi (0 - 276 kPa)
- S100091 Pressure range: 0 - 70 psi (0 - 483 kPa)
- S100092 Pressure range: 0 - 100 psi (0 - 689 kPa)

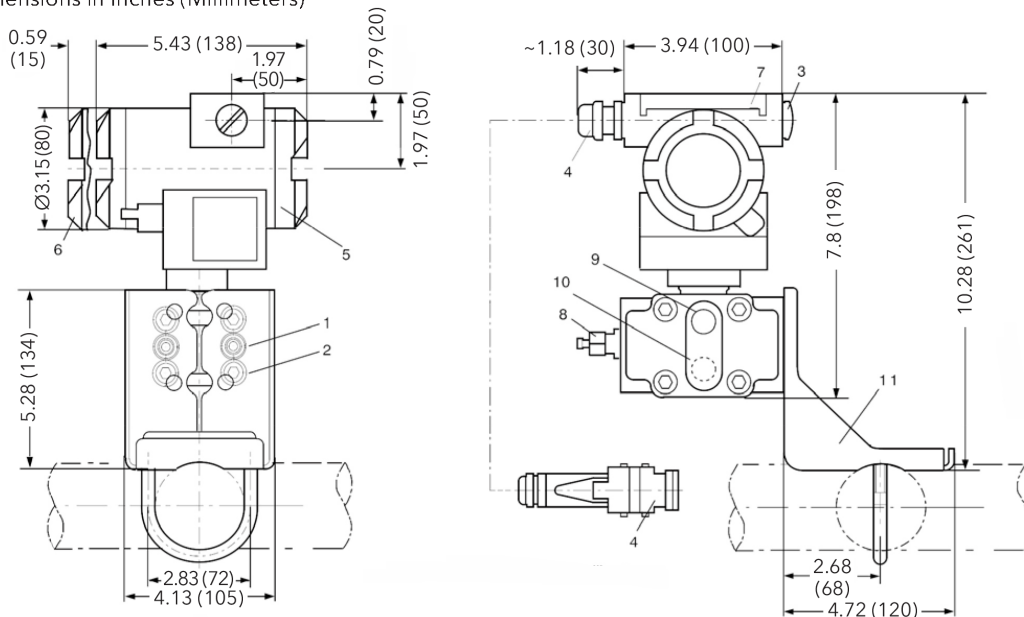
Consult factory for other ranges.

## INSTALLATION CONSIDERATIONS

- Standard 18 AWG (1.194 mm dia.) 2 wire shielded cable located in a conduit separate from high voltage wiring
- 24 vdc power supplied from Technologic Controller for distance <2000 ft (610 m)

## DIMENSIONAL INFORMATION

Dimensions in Inches (Millimeters)



- 1 Process connection 1/4-18NPT for absolute pressure (+) side
- 2 Mounting thread 7/16-20 UNF to EN 61518
- 3 Dummy plug
- 4 Electrical connection: Screwed gland 1/2-14 NPT
- 5 Connection side

- 6 Electronic side, no digital display
- 7 Access cover over magnetic pushbuttons
- 8 Sealing screw with vent shown (optional)
- 9 Side vent for measuring liquid
- 10 Side vent for measuring gas (supplement H02)
- 11 Mounting bracket (2 shackles, 4 nuts, 4 U-plates, 1 angle) made of steel



## Flow Sensor/Transmitter For Pumps with TECHNOLOGIC® Drives

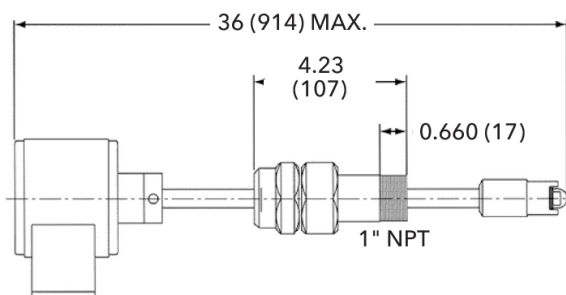
The rugged Bell & Gossett Flow Sensor/Transmitter precisely measures system flow and transmits a proportional 4 to 20 mA DC signal to the Technologic Controller for display or program calculations.

### FEATURES

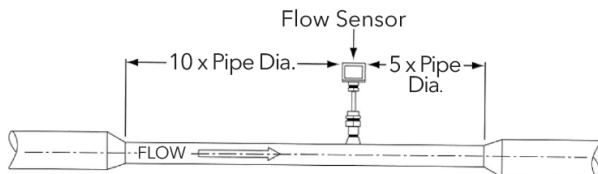
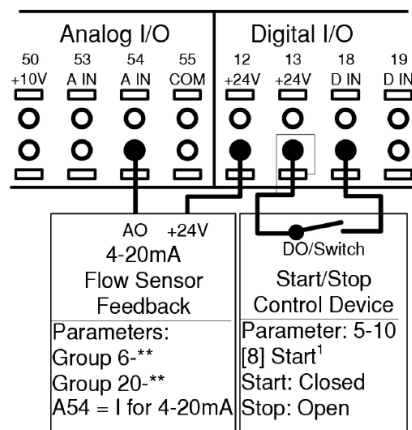
- Suitable for mounting in vertical pipe
- Suitable for mounting in horizontal pipe within 45° of top dead center
- Non-magnetically sensed, non-fouling paddle wheel
- NEMA 4X Transmitter Enclosure
- Maximum Pressure Ratings:
  - 1000 psi @ 100°F, 900 psi @ 200°F,
  - 750 psi @ 300°F (6895 kPa @ 38°C, 6205 kPa @ 93°C, 5171 kPa @ 149°C)
- Maximum Temperature Ratings:
  - Fluid - 300°F (149°C) continuous service
  - Electronics - 150°F (66°C)
- Optional software and cable available for field programming
- 9.9 lbs (4.5 kg) approximate weight

### DIMENSIONAL INFORMATION

Dimensions in Inches (Millimeters)



### TECHNOLOGIC ANALOG SENSOR WIRING



### INSTALLATION CONSIDERATIONS

- Standard 18 AWG (1.194 mm dia.) gauge 3 wire shielded cable located in conduit separate from high voltage wiring
- 24 vdc power supplied from Technologic Controller
- Takes accurate readings and relays them to the Technologic Controller up to 2,000 ft. (610 m) away, when 10 pipe diameters upstream and 5 pipe diameters downstream of straight uninterrupted flow is present.

| CALIBRATION CHART |            |                        |
|-------------------|------------|------------------------|
| B&G Part No.      | Pipe Size  | Max. Flow              |
| 137411            | 3" Sch 40  | 250 gpm (16 l/sec)     |
| 137412            | 4" Sch 40  | 400 gpm (25 l/sec)     |
| 137413            | 6" Sch 40  | 850 gpm (54 l/sec)     |
| 137414            | 8" Sch 40  | 1750 gpm (110 l/sec)   |
| 137415            | 10" Sch 40 | 3150 gpm (199 l/sec)   |
| 137416            | 12" Sch 40 | 5000 gpm (315 l/sec)   |
| 137417            | 14" Sch 40 | 6400 gpm (404 l/sec)   |
| 137418            | 16" Sch 40 | 9100 gpm (574 l/sec)   |
| 137419            | 18" Sch 40 | 12400 gpm (782 l/sec)  |
| 137420            | 20" Sch 40 | 16500 gpm (1041 l/sec) |

Consult factory for custom flow range calibration.