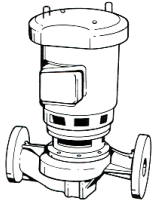


JOB:	REPRESENTATIVE:	
UNIT TAG:	ORDER NO.	DATE:
ENGINEER:	SUBMITTED BY:	DATE:
CONTRACTOR:	APPROVED BY:	DATE:



2½x2½x9½B

Series 80®

In-Line Mounted Centrifugal Pumps

SPECIFICATIONS

FLOW _____ HEAD _____

HP _____ RPM _____

VOLTS _____

CYCLE _____ PHASE _____

ENCLOSURE _____

APPROX. WEIGHT _____

SPECIALS _____

MATERIALS OF CONSTRUCTION

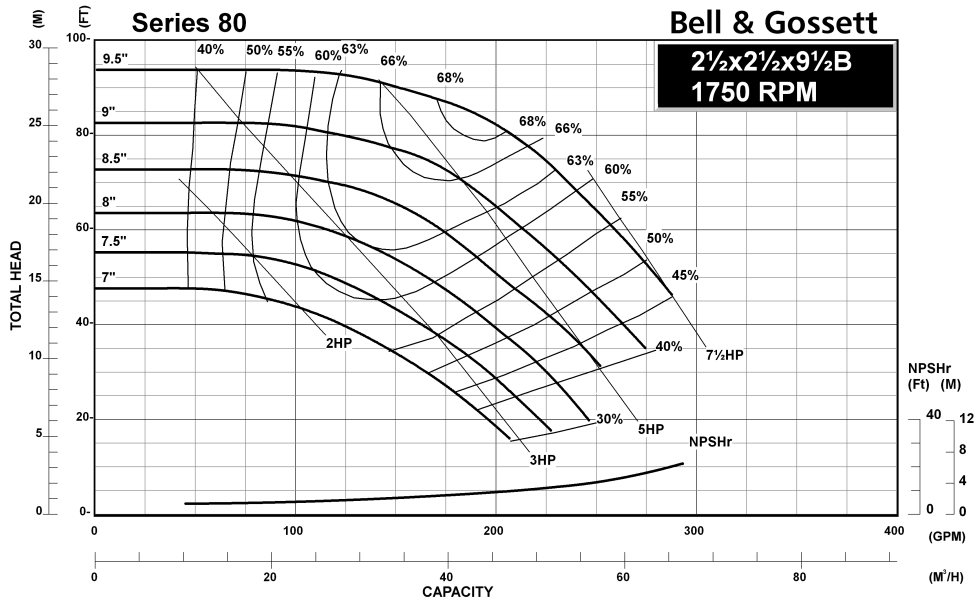
- BRONZE FITTED ALL IRON

MAXIMUM WORKING PRESSURE

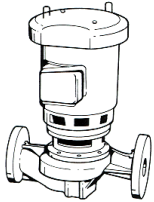
- 175 psi (12 bar) W.P. with 125# ANSI flange drilling
- 250 psi (17 bar) W.P. with 250# ANSI flange drilling (requires 80-S)
- 300 psi (21 bar) W.P. with 250# ANSI flange drilling (EPR-Sintered Silicon Carbide-Sintered Silicon Carbide) Requires 80-S

TYPE OF SEAL

- 80 Standard Seal (Buna-Carbon/Ceramic)
- 80 -F Standard Seal w/ Flush Line (Buna-Carbon/Ceramic)
- 80 -S Stuffing Box construction w/ Flushed Mechanical Single Seal (EPR-Tungsten Carbide/Carbon)
- 80 -D Stuffing Box construction w/ Flushed Double Mechanical Seal (EPR-Carbon/Ceramic) Requires external water source
- 80 -PF Stuffing Box Construction w/ Flushed Packing (Graphite Impregnated PTFE)



JOB: UNIT TAG: ENGINEER: CONTRACTOR:	REPRESENTATIVE: ORDER NO.: SUBMITTED BY: APPROVED BY:	DATE: DATE: DATE:
---	--	--



2½x2½x9½B

Series 80®

In-Line Mounted Centrifugal Pumps

SPECIFICATIONS

FLOW _____ HEAD _____

HP _____ RPM _____

VOLTS _____

CYCLE _____ PHASE _____

ENCLOSURE _____

APPROX. WEIGHT _____

SPECIALS _____

MATERIALS OF CONSTRUCTION

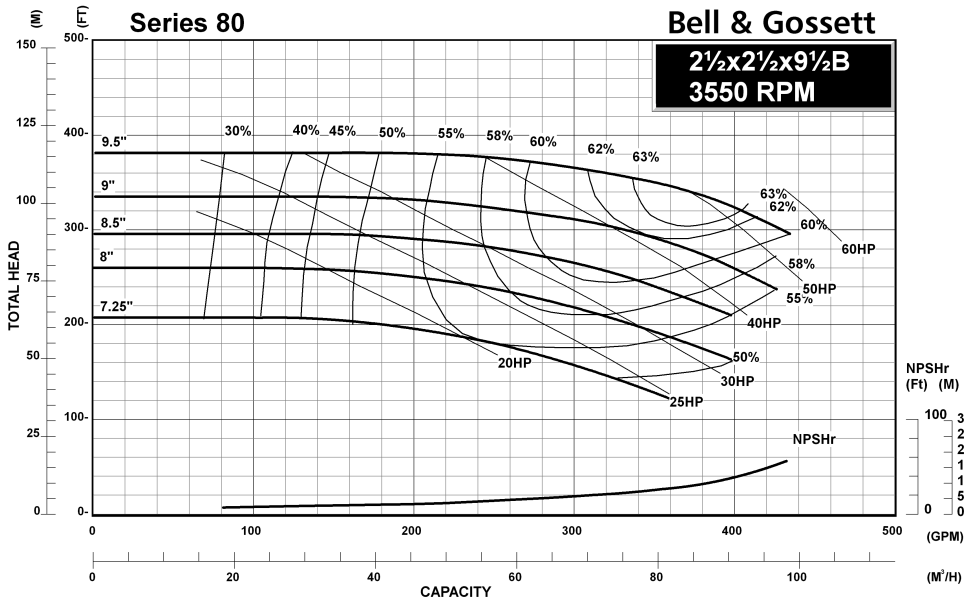
- BRONZE FITTED ALL IRON

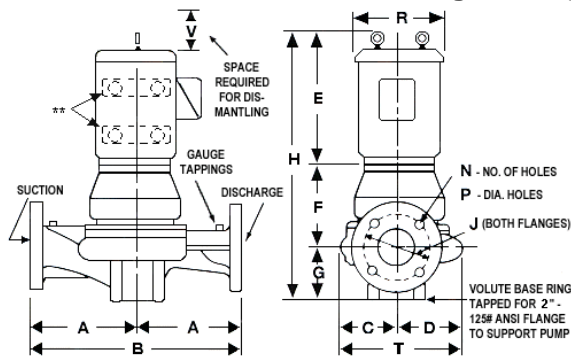
MAXIMUM WORKING PRESSURE

- 175 psi (12 bar) W.P. with 125# ANSI flange drilling
- 250 psi (17 bar) W.P. with 250# ANSI flange drilling (requires 80-S)
- 300 psi (21 bar) W.P. with 250# ANSI flange drilling (EPR-Sintered Silicon Carbide-Sintered Silicon Carbide) Requires 80-S

TYPE OF SEAL

- 80 Standard Seal (Buna-Carbon/Ceramic)
- 80 -F Standard Seal w/ Flush Line (Buna-Carbon/Ceramic)
- 80 -S Stuffing Box construction w/ Flushed Mechanical Single Seal (EPR-Tungsten Carbide/Carbon)
- 80 -D Stuffing Box construction w/ Flushed Double Mechanical Seal (EPR-Carbon/Ceramic) Requires external water source
- 80 -PF Stuffing Box Construction w/ Flushed Packing (Graphite Impregnated PTFE)





FLANGE DIMENSIONS IN INCHES (MM)			
	SIZE	THICKNESS	O.D.
Discharge	2-1/2"	1 (25)	7-3/8 (187)
Suction	2-1/2"	1 (25)	7-3/8 (187)

** Motor may be supplied with feet

DIMENSIONS – Inches (mm)

STANDARD SEAL 80, 80-F

MOTOR FRAME	A	B	C	D	E (Max)	F	G	H (Max)	125# ANSI			250# ANSI			R	S (Max)*	T	V (Min)
									J	N	P	J	N	P				
145	10-3/4 (273)	21-1/2 (546)	6-3/8 (162)	7-1/8 (181)	12-5/8 (321)	4-13/16 (122)	6 (152)	23-1/2 (597)	5-1/2 (140)	4	3/4 (19)	5-7/8 (149)	8	7/8 (22)	9-3/4 (248)	1-1/2 (38)	13-1/2 (343)	4-3/4 (121)
182	10-3/4 (273)	21-1/2 (546)	6-3/8 (162)	7-1/8 (181)	15-5/16 (389)	4-13/16 (122)	6 (152)	26-1/8 (664)	5-1/2 (140)	4	3/4 (19)	5-7/8 (149)	8	7/8 (22)	11-3/4 (298)	1 (25)	13-1/2 (343)	4-3/4 (121)
184	10-3/4 (273)	21-1/2 (546)	6-3/8 (162)	7-1/8 (181)	15-5/16 (389)	4-13/16 (122)	6 (152)	26-1/8 (664)	5-1/2 (140)	4	3/4 (19)	5-7/8 (149)	8	7/8 (22)	11-3/4 (298)	1 (25)	13-1/2 (343)	4-3/4 (121)
213	10-3/4 (273)	21-1/2 (546)	6-3/8 (162)	7-1/8 (181)	19-1/4 (489)	4-13/16 (122)	6 (152)	30-1/8 (765)	5-1/2 (140)	4	3/4 (19)	5-7/8 (149)	8	7/8 (22)	14 (356)	-	13-1/2 (343)	4-3/4 (121)
215	10-3/4 (273)	21-1/2 (546)	6-3/8 (162)	7-1/8 (181)	19-1/4 (489)	4-13/16 (122)	6 (152)	30-1/8 (765)	5-1/2 (140)	4	3/4 (19)	5-7/8 (149)	8	7/8 (22)	14 (356)	-	13-1/2 (343)	4-3/4 (121)
254	10-3/4 (273)	21-1/2 (546)	6-3/8 (162)	7-1/8 (181)	24-1/8 (613)	8-11/16 (221)	6 (152)	38-7/8 (987)	5-1/2 (140)	4	3/4 (19)	5-7/8 (149)	8	7/8 (22)	17 (432)	-	13-1/2 (343)	4-3/4 (121)
256	10-3/4 (273)	21-1/2 (546)	6-3/8 (162)	7-1/8 (181)	24-1/8 (613)	8-11/16 (221)	6 (152)	38-7/8 (987)	5-1/2 (140)	4	3/4 (19)	5-7/8 (149)	8	7/8 (22)	17 (432)	-	13-1/2 (343)	4-3/4 (121)
284	10-3/4 (273)	21-1/2 (546)	6-3/8 (162)	7-1/8 (181)	23-5/8 (600)	8-11/16 (221)	6 (152)	38-3/8 (975)	5-1/2 (140)	4	3/4 (19)	5-7/8 (149)	8	7/8 (22)	16-1/8 (410)	4-5/8 (117)	13-1/2 (343)	4-3/4 (121)
286	10-3/4 (273)	21-1/2 (546)	6-3/8 (162)	7-1/8 (181)	25-1/8 (638)	8-11/16 (221)	6 (152)	39-7/8 (1013)	5-1/2 (140)	4	3/4 (19)	5-7/8 (149)	8	7/8 (22)	16-1/8 (410)	4-5/8 (117)	13-1/2 (343)	4-3/4 (121)
324	10-3/4 (273)	21-1/2 (546)	6-3/8 (162)	7-1/8 (181)	26 (660)	8-11/16 (221)	6 (152)	40-3/4 (1035)	5-1/2 (140)	4	3/4 (19)	5-7/8 (149)	8	7/8 (22)	18-3/4 (476)	5-3/8 (137)	13-1/2 (343)	4-3/4 (121)
326	10-3/4 (273)	21-1/2 (546)	6-3/8 (162)	7-1/8 (181)	26 (660)	8-11/16 (221)	6 (152)	40-3/4 (1035)	5-1/2 (140)	4	3/4 (19)	5-7/8 (149)	8	7/8 (22)	18-3/4 (476)	6-7/8 (175)	13-1/2 (343)	4-3/4 (121)

STUFFING BOX 80-PF, 80-S, 80-D

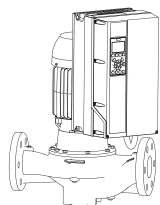
MOTOR FRAME	A	B	C	D	E (Max)	F	G	H (Max)	125# ANSI			250# ANSI			R	S (Max)*	T	V (Min)
									J	N	P	J	N	P				
145	10-3/4 (273)	21-1/2 (546)	6-3/8 (162)	7-1/8 (181)	12-5/8 (321)	7-15/16 (202)	6 (152)	26-5/8 (676)	5-1/2 (140)	4	3/4 (19)	5-7/8 (149)	8	7/8 (22)	9-3/4 (248)	1-1/2 (38)	13-1/2 (343)	4-3/4 (121)
182	10-3/4 (273)	21-1/2 (546)	6-3/8 (162)	7-1/8 (181)	15-5/16 (389)	7-15/16 (202)	6 (152)	29-1/4 (743)	5-1/2 (140)	4	3/4 (19)	5-7/8 (149)	8	7/8 (22)	11-3/4 (298)	1 (25)	13-1/2 (343)	4-3/4 (121)
184	10-3/4 (273)	21-1/2 (546)	6-3/8 (162)	7-1/8 (181)	15-5/16 (389)	7-15/16 (202)	6 (152)	29-1/4 (743)	5-1/2 (140)	4	3/4 (19)	5-7/8 (149)	8	7/8 (22)	11-3/4 (298)	1 (25)	13-1/2 (343)	4-3/4 (121)
213	10-3/4 (273)	21-1/2 (546)	6-3/8 (162)	7-1/8 (181)	19-1/4 (489)	8-11/16 (221)	6 (152)	34 (864)	5-1/2 (140)	4	3/4 (19)	5-7/8 (149)	8	7/8 (22)	14 (356)	-	13-1/2 (343)	4-3/4 (121)
215	10-3/4 (273)	21-1/2 (546)	6-3/8 (162)	7-1/8 (181)	19-1/4 (489)	8-11/16 (221)	6 (152)	34 (864)	5-1/2 (140)	4	3/4 (19)	5-7/8 (149)	8	7/8 (22)	14 (356)	-	13-1/2 (343)	4-3/4 (121)
254	10-3/4 (273)	21-1/2 (546)	6-3/8 (162)	7-1/8 (181)	24-1/8 (613)	8-11/16 (221)	6 (152)	38-7/8 (987)	5-1/2 (140)	4	3/4 (19)	5-7/8 (149)	8	7/8 (22)	17 (432)	-	13-1/2 (343)	4-3/4 (121)
256	10-3/4 (273)	21-1/2 (546)	6-3/8 (162)	7-1/8 (181)	24-1/8 (613)	8-11/16 (221)	6 (152)	38-7/8 (987)	5-1/2 (140)	4	3/4 (19)	5-7/8 (149)	8	7/8 (22)	17 (432)	-	13-1/2 (343)	4-3/4 (121)
284	10-3/4 (273)	21-1/2 (546)	6-3/8 (162)	7-1/8 (181)	23-5/8 (600)	8-11/16 (221)	6 (152)	38-3/8 (975)	5-1/2 (140)	4	3/4 (19)	5-7/8 (149)	8	7/8 (22)	16-1/8 (410)	4-5/8 (117)	13-1/2 (343)	4-3/4 (121)
286	10-3/4 (273)	21-1/2 (546)	6-3/8 (162)	7-1/8 (181)	25-1/8 (638)	8-11/16 (221)	6 (152)	39-7/8 (1013)	5-1/2 (140)	4	3/4 (19)	5-7/8 (149)	8	7/8 (22)	16-1/8 (410)	4-5/8 (117)	13-1/2 (343)	4-3/4 (121)
324	10-3/4 (273)	21-1/2 (546)	6-3/8 (162)	7-1/8 (181)	26 (660)	8-11/16 (221)	6 (152)	40-3/4 (1035)	5-1/2 (140)	4	3/4 (19)	5-7/8 (149)	8	7/8 (22)	18-3/4 (476)	5-3/8 (137)	13-1/2 (343)	4-3/4 (121)
326	10-3/4 (273)	21-1/2 (546)	6-3/8 (162)	7-1/8 (181)	26 (660)	8-11/16 (221)	6 (152)	40-3/4 (1035)	5-1/2 (140)	4	3/4 (19)	5-7/8 (149)	8	7/8 (22)	18-3/4 (476)	6-7/8 (175)	13-1/2 (343)	4-3/4 (121)

Dimensions are subject to change. Not to be used for construction purposes unless certified.

NOTE: For 1 phase Motors add 1" to dimensions E & H. For TEFC Motors add S dimension to dimensions E & H.

Xylem Inc.
8200 N. Austin Avenue
Morton Grove, IL 60053
Phone: (847)966-3700
Fax: (847)965-8379
www.bellgossett.com

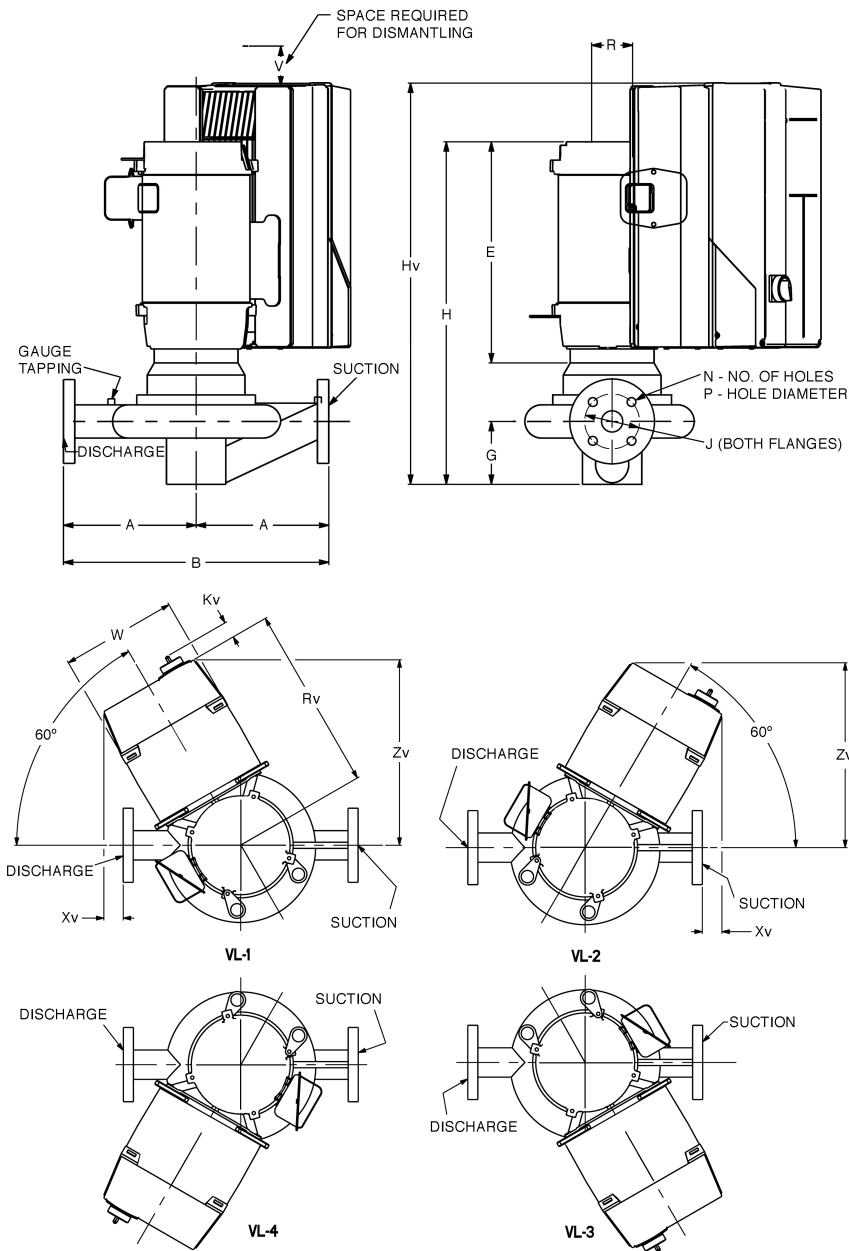




2 1/2 x 2 1/2 x 9 1/2 B Series 80®

In-Line Mounted Centrifugal Pumps
With Optional Integrated Technologic® featuring Sensorless Control

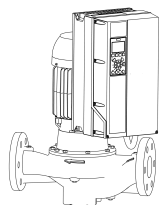
TECHNOLOGIC STANDARD FEATURES	
CONTROL METHOD	Constant Pressure, Linear Control Curve, Quadratic Control Curve Factory configured for sensorless operation standard. Field configurable for use with a wired transducer.
ENCLOSURE	IP55 / NEMA 12 / UL type 12
POWER DISCONNECT SWITCH	Included standard. Fused Disconnect Switch optional.
EMI/RFI CONTROL	Integrated filter to meet EN62800-3.
HARMONIC SUPPRESSION	Integrated non-saturating dual DC link reactors provide better harmonic performance than a 5% AC line reactor.
COOLING	Fan-cooled through temperature controlled and easy replacement.
AMBIENT TEMPERATURE RATING	14°F to 113°F (-10°C to 45°C)
COMMUNICATION PROTOCOLS	BACnet, Modbus RTU, N2 Metasys, FLN Apogee
ANALOG INPUTS	2 configurable for either voltage (0 to 10VDC) or current (0/4 to 20mA)
ANALOG OUTPUTS	1 (0/4 to 20mA) up to 500 ohm load accurate to 1% of full scale
DIGITAL INPUTS	4 (0 to 24VDC), NPN or PNP, 0 to 24VDC, on 5 msec scan interval, Up to 2 can be configured as pulse inputs.
DIGITAL OUTPUTS	2 (0 to 24VDC), 40mA max current, configurable as pulse outputs.
RELAY OUTPUTS	2 programmable, 240VAC or 400VAC up to 2 A



Xylem Inc.
8200 N. Austin Avenue
Morton Grove, IL 60053
Phone: (847)966-3700
Fax: (847)965-8379
www.bellgossett.com

xylem
Let's Solve Water

Bell & Gossett is a trademark of Xylem Inc. or one of its subsidiaries.
© 2013 Xylem Inc.



2½x2½x9½B Series 80®

In-Line Mounted Centrifugal Pumps
With Optional Integrated Technologic® featuring Sensorless Control

DIMENSIONS – Inches (mm)

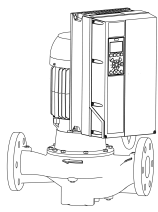
STANDARD SEAL 80, 80-F

MOTOR FRAME	A	B	E (Max)	G	H (Max)	125# ANSI			250# ANSI			R	VFD	Rv	Zv	W	Hv	Xv	
						J	N	P	J	N	P								
145	10-3/4 (273)	21-1/2 (546)	12-5/8 (321)	6 (152)	23-1/2 (597)	5-1/2 (140)	4	3/4 (19)	5-7/8 (149)	8	7/8 (22)	9-3/4 (248)	A5	11-25/32 (299)	12-5/16 (313)	9-1/2 (241)	30-9/64 (765)	1-3/16 (30)	
182	10-3/4 (273)	21-1/2 (546)	15-5/16 (389)	6 (152)	26-1/8 (664)	5-1/2 (140)	4	3/4 (19)	5-7/8 (149)	8	7/8 (22)	11-3/4 (298)	A5	12-25/32 (324)	13-3/16 (335)	9-1/2 (241)	29-9/32 (744)	11/16 (18)	
184	10-3/4 (273)	21-1/2 (546)	15-5/16 (389)	6 (152)	26-1/8 (664)	5-1/2 (140)	4	3/4 (19)	5-7/8 (149)	8	7/8 (22)	11-3/4 (298)	A5	12-25/32 (324)	13-3/16 (335)	9-1/2 (241)	29-9/32 (744)	11/16 (18)	
213	10-3/4 (273)	21-1/2 (546)	19-1/4 (489)	6 (152)	30-1/8 (765)	5-1/2 (140)	4	3/4 (19)	5-7/8 (149)	8	7/8 (22)	14 (356)	A5	13-17/32 (344)	13-53/64 (351)	9-1/2 (241)	32-45/64 (831)	5/16 (8)	
													B1	15-53/64 (402)	15-27/32 (402)	9-1/2 (241)	34-19/64 (871)	7/8 (22)	
215	10-3/4 (273)	21-1/2 (546)	19-1/4 (489)	6 (152)	30-1/8 (765)	5-1/2 (140)	4	3/4 (19)	5-7/8 (149)	8	7/8 (22)	14 (356)	A5	13-17/32 (344)	13-53/64 (351)	9-1/2 (241)	31-15/64 (793)	5/16 (8)	
													B1	15-53/64 (402)	15-27/32 (402)	9-1/2 (241)	32-49/64 (832)	7/8 (22)	
254	10-3/4 (273)	21-1/2 (546)	24-1/8 (613)	6 (152)	38-7/8 (987)	5-1/2 (140)	4	3/4 (19)	5-7/8 (149)	8	7/8 (22)	17 (432)	-	-	-	-	-	-	-
256	10-3/4 (273)	21-1/2 (546)	24-1/8 (613)	6 (152)	38-7/8 (987)	5-1/2 (140)	4	3/4 (19)	5-7/8 (149)	8	7/8 (22)	17 (432)	B1	16-53/64 (427)	16-45/64 (424)	9-1/2 (241)	41-1/4 (1048)	1-3/8 (35)	
													C1	18-53/64 (478)	18-31/32 (482)	12-3/32 (307)	46-19/32 (1184)	3-9/32 (84)	
284	10-3/4 (273)	21-1/2 (546)	23-5/8 (600)	6 (152)	38-3/8 (975)	5-1/2 (140)	4	3/4 (19)	5-7/8 (149)	8	7/8 (22)	16-1/8 (410)	B1	17-37/64 (446)	17-23/64 (441)	9-1/2 (241)	40-5/8 (1032)	1-3/4 (44)	
													B2	17-37/64 (446)	17-23/64 (441)	9-1/2 (241)	45-5/64 (1145)	1-3/4 (44)	
													C1	19-37/64 (497)	19-5/8 (498)	12-3/32 (307)	47-31/64 (1206)	3-21/32 (93)	
286	10-3/4 (273)	21-1/2 (546)	25-1/8 (638)	6 (152)	39-7/8 (1013)	5-1/2 (140)	4	3/4 (19)	5-7/8 (149)	8	7/8 (22)	16-1/8 (410)	B2	17-37/64 (446)	17-23/64 (441)	9-1/2 (241)	46-37/64 (1183)	1-3/4 (44)	
													C1	19-37/64 (497)	19-5/8 (498)	12-3/32 (307)	48-63/64 (1244)	3-21/32 (93)	
324	10-3/4 (273)	21-1/2 (546)	26 (660)	6 (152)	40-3/4 (1035)	5-1/2 (140)	4	3/4 (19)	5-7/8 (149)	8	7/8 (22)	18-3/4 (476)	B2	18-37/64 (472)	18-7/32 (463)	9-1/2 (241)	45-59/64 (1167)	2-1/4 (57)	
													C1	20-37/64 (523)	20-31/64 (520)	12-3/32 (307)	46-17/64 (1175)	4-5/32 (106)	
													C2	21-37/64 (548)	21-61/64 (557)	14-19/32 (371)	50-53/64 (1291)	5-11/16 (145)	
326	10-3/4 (273)	21-1/2 (546)	26 (660)	6 (152)	40-3/4 (1035)	5-1/2 (140)	4	3/4 (19)	5-7/8 (149)	8	7/8 (22)	18-3/4 (476)	C1	20-37/64 (523)	20-31/64 (520)	12-3/32 (307)	46-17/64 (1175)	4-5/32 (106)	
													C2	21-37/64 (548)	21-61/64 (557)	14-19/32 (371)	50-53/64 (1291)	5-11/16 (145)	

Xylem Inc.
8200 N. Austin Avenue
Morton Grove, IL 60053
Phone: (847)966-3700
Fax: (847)965-8379
www.bellgossett.com

xylem
Let's Solve Water

Bell & Gossett is a trademark of Xylem Inc. or one of its subsidiaries.
© 2013 Xylem Inc.



2½X2½X9½B Series 80®

In-Line Mounted Centrifugal Pumps
With Optional Integrated Technologic® featuring Sensorless Control

STUFFING BOX 80-PF, 80-S, 80-D

MOTOR FRAME	A	B	E (Max)	G	H (Max)	125# ANSI			250# ANSI			R	VFD	Rv	Zv	W	Hv	Xv	
						J	N	P	J	N	P								
145	10-3/4 (273)	21-1/2 (546)	12-5/8 (321)	6 (152)	26-5/8 (676)	5-1/2 (140)	4	3/4 (19)	5-7/8 (149)	8	7/8 (22)	9-3/4 (248)	A5	11-25/32 (299)	12-5/16 (313)	9-1/2 (241)	33-17/64 (845)	1-3/16 (30)	
182	10-3/4 (273)	21-1/2 (546)	15-5/16 (389)	6 (152)	29-1/4 (743)	5-1/2 (140)	4	3/4 (19)	5-7/8 (149)	8	7/8 (22)	11-3/4 (298)	A5	12-25/32 (324)	13-3/16 (335)	9-1/2 (241)	32-13/32 (823)	11/16 (18)	
184	10-3/4 (273)	21-1/2 (546)	15-5/16 (389)	6 (152)	29-1/4 (743)	5-1/2 (140)	4	3/4 (19)	5-7/8 (149)	8	7/8 (22)	11-3/4 (298)	A5	12-25/32 (324)	13-3/16 (335)	9-1/2 (241)	32-13/32 (823)	11/16 (18)	
213	10-3/4 (273)	21-1/2 (546)	19-1/4 (489)	6 (152)	34 (864)	5-1/2 (140)	4	3/4 (19)	5-7/8 (149)	8	7/8 (22)	14 (356)	A5	13-17/32 (344)	13-53/64 (351)	9-1/2 (241)	36-37/64 (929)	5/16 (8)	
													B1	15-53/64 (402)	15-27/32 (402)	9-1/2 (241)	38-11/64 (970)	7/8 (22)	
215	10-3/4 (273)	21-1/2 (546)	19-1/4 (489)	6 (152)	34 (864)	5-1/2 (140)	4	3/4 (19)	5-7/8 (149)	8	7/8 (22)	14 (356)	A5	13-17/32 (344)	13-53/64 (351)	9-1/2 (241)	35-7/64 (892)	5/16 (8)	
													B1	15-53/64 (402)	15-27/32 (402)	9-1/2 (241)	36-41/64 (931)	7/8 (22)	
254	10-3/4 (273)	21-1/2 (546)	24-1/8 (613)	6 (152)	38-7/8 (987)	5-1/2 (140)	4	3/4 (19)	5-7/8 (149)	8	7/8 (22)	17 (432)	-	-	-	-	-	-	-
256	10-3/4 (273)	21-1/2 (546)	24-1/8 (613)	6 (152)	38-7/8 (987)	5-1/2 (140)	4	3/4 (19)	5-7/8 (149)	8	7/8 (22)	17 (432)	B1	16-53/64 (427)	16-45/64 (424)	9-1/2 (241)	41-1/4 (1048)	1-3/8 (35)	
													C1	18-53/64 (478)	18-31/32 (482)	12-3/32 (307)	46-19/32 (1184)	3-9/32 (84)	
284	10-3/4 (273)	21-1/2 (546)	23-5/8 (600)	6 (152)	38-3/8 (975)	5-1/2 (140)	4	3/4 (19)	5-7/8 (149)	8	7/8 (22)	16-1/8 (410)	B1	17-37/64 (446)	17-23/64 (441)	9-1/2 (241)	40-5/8 (1032)	1-3/4 (44)	
													B2	17-37/64 (446)	17-23/64 (441)	9-1/2 (241)	45-5/64 (1145)	1-3/4 (44)	
													C1	19-37/64 (497)	19-5/8 (498)	12-3/32 (307)	47-31/64 (1206)	3-21/32 (93)	
286	10-3/4 (273)	21-1/2 (546)	25-1/8 (638)	6 (152)	39-7/8 (1013)	5-1/2 (140)	4	3/4 (19)	5-7/8 (149)	8	7/8 (22)	16-1/8 (410)	B2	17-37/64 (446)	17-23/64 (441)	9-1/2 (241)	46-37/64 (1183)	1-3/4 (44)	
													C1	19-37/64 (497)	19-5/8 (498)	12-3/32 (307)	48-63/64 (1244)	3-21/32 (93)	
324	10-3/4 (273)	21-1/2 (546)	26 (660)	6 (152)	40-3/4 (1035)	5-1/2 (140)	4	3/4 (19)	5-7/8 (149)	8	7/8 (22)	18-3/4 (476)	B2	18-37/64 (472)	18-7/32 (463)	9-1/2 (241)	45-59/64 (1167)	2-1/4 (57)	
													C1	20-37/64 (523)	20-31/64 (520)	12-3/32 (307)	46-17/64 (1175)	4-5/32 (106)	
													C2	21-37/64 (548)	21-61/64 (557)	14-19/32 (371)	50-53/64 (1291)	5-11/16 (145)	
326	10-3/4 (273)	21-1/2 (546)	26 (660)	6 (152)	40-3/4 (1035)	5-1/2 (140)	4	3/4 (19)	5-7/8 (149)	8	7/8 (22)	18-3/4 (476)	C1	20-37/64 (523)	20-31/64 (520)	12-3/32 (307)	46-17/64 (1175)	4-5/32 (106)	
													C2	21-37/64 (548)	21-61/64 (557)	14-19/32 (371)	50-53/64 (1291)	5-11/16 (145)	

Xylem Inc.
8200 N. Austin Avenue
Morton Grove, IL 60053
Phone: (847)966-3700
Fax: (847)965-8379
www.bellgossett.com

xylem
Let's Solve Water

Bell & Gossett is a trademark of Xylem Inc. or one of its subsidiaries.
© 2012 Xylem Inc.