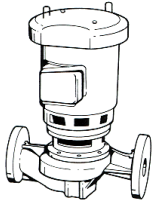


JOB: UNIT TAG: ENGINEER: CONTRACTOR:	REPRESENTATIVE: ORDER NO. SUBMITTED BY: APPROVED BY:	DATE: DATE: DATE:
---	---	--



2½x2½x7 Series 80®

In-Line Mounted Centrifugal Pumps

SPECIFICATIONS

FLOW _____ HEAD _____
 HP _____ RPM _____
 VOLTS _____
 CYCLE _____ PHASE _____
 ENCLOSURE _____
 APPROX. WEIGHT _____
 SPECIALS _____

MATERIALS OF CONSTRUCTION

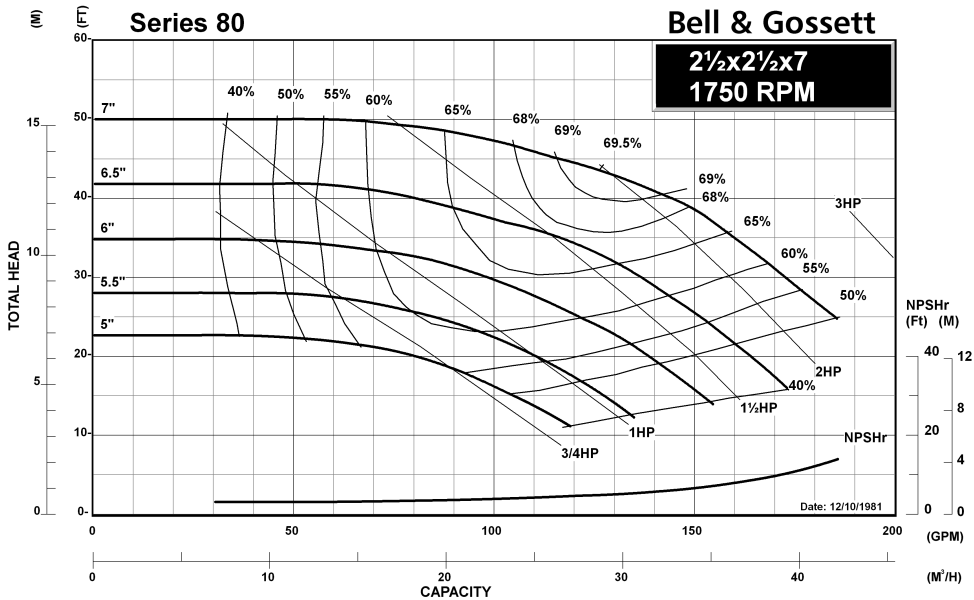
BRONZE FITTED ALL IRON

MAXIMUM WORKING PRESSURE

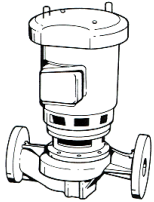
- 175 psi (12 bar) W.P. with 125# ANSI flange drilling
- 250 psi (17 bar) W.P. with 250# ANSI flange drilling (requires 80-S)
- 300 psi (21 bar) W.P. with 250# ANSI flange drilling (EPR-Sintered Silicon Carbide-Sintered Silicon Carbide) Requires 80-S

TYPE OF SEAL

- 80 Standard Seal (Buna-Carbon/Ceramic)
- 80 -F Standard Seal w/ Flush Line (Buna-Carbon/Ceramic)
- 80 -S Stuffing Box construction w/ Flushed Mechanical Single Seal (EPR-Tungsten Carbide/Carbon)
- 80 -D Stuffing Box construction w/ Flushed Double Mechanical Seal (EPR-Carbon/Ceramic) Requires external water source
- 80 -PF Stuffing Box Construction w/ Flushed Packing (Graphite Impregnated PTFE)



JOB: UNIT TAG: ENGINEER: CONTRACTOR:	REPRESENTATIVE: ORDER NO.: SUBMITTED BY: APPROVED BY:	DATE: DATE: DATE:
---	--	--



2¹/₂x2¹/₂x7 Series 80[®] In-Line Mounted Centrifugal Pumps

SPECIFICATIONS

FLOW _____ HEAD _____
 HP _____ RPM _____
 VOLTS _____
 CYCLE _____ PHASE _____
 ENCLOSURE _____
 APPROX. WEIGHT _____
 SPECIALS _____

MATERIALS OF CONSTRUCTION

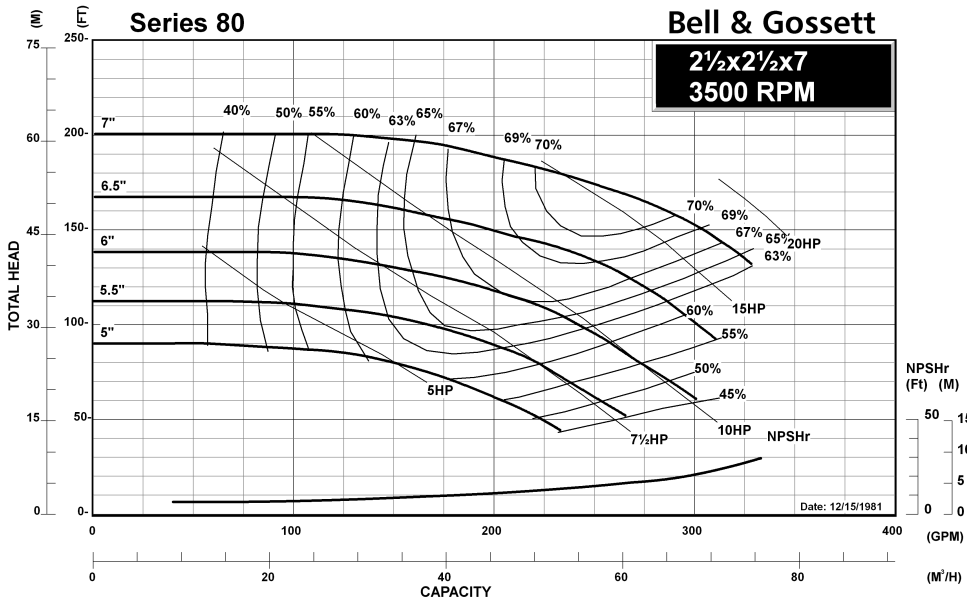
- BRONZE FITTED ALL IRON

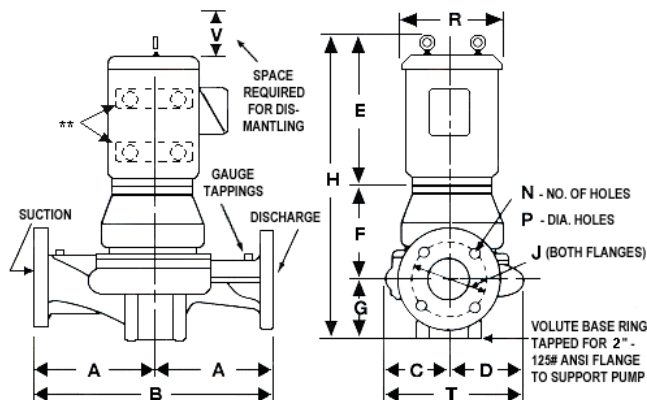
MAXIMUM WORKING PRESSURE

- 175 psi (12 bar) W.P. with 125# ANSI flange drilling
 250 psi (17 bar) W.P. with 250# ANSI flange drilling (requires 80-S)
 300 psi (21 bar) W.P. with 250# ANSI flange drilling (EPR-Sintered Silicon Carbide-Sintered Silicon Carbide) Requires 80-S

TYPE OF SEAL

- 80 Standard Seal (Buna-Carbon/Ceramic)
 80 -F Standard Seal w/ Flush Line (Buna-Carbon/Ceramic)
 80 -S Stuffing Box construction w/ Flushed Mechanical Single Seal (EPR-Tungsten Carbide/Carbon)
 80 -D Stuffing Box construction w/ Flushed Double Mechanical Seal (EPR-Carbon/Ceramic) Requires external water source
 80 -PF Stuffing Box Construction w/ Flushed Packing (Graphite Impregnated PTFE)





FLANGE DIMENSIONS IN INCHES (MM)			
	SIZE	THICKNESS	O.D.
Discharge	2-1/2"	1 (25)	7-3/8 (187)
Suction	2-1/2"	1 (25)	7-3/8 (187)

FLANGES ARE 125# ANSI - STANDARD
250# ANSI - AVAILABLE

** Motor may be supplied with feet

DIMENSIONS - Inches (mm)

STANDARD SEAL 80, 80-F

MOTOR FRAME	A	B	C	D	E (Max)	F	G	H (Max)	125# ANSI			250# ANSI			R	S (Max) ⁺	T	V (Min)
									J	N	P	J	N	P				
143	9 (229)	18 (457)	5 (127)	5-5/8 (143)	11-5/8 (295)	4-7/8 (124)	5-1/4 (133)	21-3/4 (552)	5-1/2 (140)	4	3/4 (19)	5-7/8 (149)	8	7/8 (22)	9-3/4 (248)	1-1/2 (38)	10-5/8 (270)	4-1/2 (114)
145	9 (229)	18 (457)	5 (127)	5-5/8 (143)	12-5/8 (321)	4-7/8 (124)	5-1/4 (133)	22-3/4 (578)	5-1/2 (140)	4	3/4 (19)	5-7/8 (149)	8	7/8 (22)	9-3/4 (248)	1-1/2 (38)	10-5/8 (270)	4-1/2 (114)
182	9 (229)	18 (457)	5 (127)	5-5/8 (143)	15-5/16 (389)	4-7/8 (124)	5-1/4 (133)	25-1/2 (648)	5-1/2 (140)	4	3/4 (19)	5-7/8 (149)	8	7/8 (22)	11-3/4 (298)	1 (25)	10-5/8 (270)	4-1/2 (114)
184	9 (229)	18 (457)	5 (127)	5-5/8 (143)	15-5/16 (389)	4-7/8 (124)	5-1/4 (133)	25-1/2 (648)	5-1/2 (140)	4	3/4 (19)	5-7/8 (149)	8	7/8 (22)	11-3/4 (298)	1 (25)	10-5/8 (270)	4-1/2 (114)
213	9 (229)	18 (457)	5 (127)	5-5/8 (143)	19-1/4 (489)	4-7/8 (124)	5-1/4 (133)	29-3/8 (746)	5-1/2 (140)	4	3/4 (19)	5-7/8 (149)	8	7/8 (22)	14 (356)	-	10-5/8 (270)	4-1/2 (114)
215	9 (229)	18 (457)	5 (127)	5-5/8 (143)	19-1/4 (489)	4-7/8 (124)	5-1/4 (133)	29-3/8 (746)	5-1/2 (140)	4	3/4 (19)	5-7/8 (149)	8	7/8 (22)	14 (356)	-	10-5/8 (270)	4-1/2 (114)
254	9 (229)	18 (457)	5 (127)	5-5/8 (143)	24-1/8 (613)	8-3/4 (222)	5-1/4 (133)	38-1/8 (968)	5-1/2 (140)	4	3/4 (19)	5-7/8 (149)	8	7/8 (22)	17 (432)	-	10-5/8 (270)	4-1/2 (114)

STUFFING BOX 80-PF, 80-S, 80-D

MOTOR FRAME	A	B	C	D	E (Max)	F	G	H (Max)	125# ANSI			250# ANSI			R	S (Max) ⁺	T	V (Min)
									J	N	P	J	N	P				
143	9 (229)	18 (457)	5 (127)	5-5/8 (143)	11-5/8 (295)	8 (203)	5-1/4 (133)	24-7/8 (632)	5-1/2 (140)	4	3/4 (19)	5-7/8 (149)	8	7/8 (22)	9-3/4 (248)	1-1/2 (38)	10-5/8 (270)	4-1/2 (114)
145	9 (229)	18 (457)	5 (127)	5-5/8 (143)	12-5/8 (321)	8 (203)	5-1/4 (133)	25-7/8 (657)	5-1/2 (140)	4	3/4 (19)	5-7/8 (149)	8	7/8 (22)	9-3/4 (248)	1-1/2 (38)	10-5/8 (270)	4-1/2 (114)
182	9 (229)	18 (457)	5 (127)	5-5/8 (143)	15-5/16 (389)	8 (203)	5-1/4 (133)	28-5/8 (727)	5-1/2 (140)	4	3/4 (19)	5-7/8 (149)	8	7/8 (22)	11-3/4 (298)	1 (25)	10-5/8 (270)	4-1/2 (114)
184	9 (229)	18 (457)	5 (127)	5-5/8 (143)	15-5/16 (389)	8 (203)	5-1/4 (133)	28-5/8 (727)	5-1/2 (140)	4	3/4 (19)	5-7/8 (149)	8	7/8 (22)	11-3/4 (298)	1 (25)	10-5/8 (270)	4-1/2 (114)
213	9 (229)	18 (457)	5 (127)	5-5/8 (143)	19-1/4 (489)	8-3/4 (222)	5-1/4 (133)	33-1/4 (845)	5-1/2 (140)	4	3/4 (19)	5-7/8 (149)	8	7/8 (22)	14 (356)	-	10-5/8 (270)	4-1/2 (114)
215	9 (229)	18 (457)	5 (127)	5-5/8 (143)	19-1/4 (489)	8-3/4 (222)	5-1/4 (133)	33-1/4 (845)	5-1/2 (140)	4	3/4 (19)	5-7/8 (149)	8	7/8 (22)	14 (356)	-	10-5/8 (270)	4-1/2 (114)
254	9 (229)	18 (457)	5 (127)	5-5/8 (143)	24-1/8 (613)	8-3/4 (222)	5-1/4 (133)	38-1/8 (968)	5-1/2 (140)	4	3/4 (19)	5-7/8 (149)	8	7/8 (22)	17 (432)	-	10-5/8 (270)	4-1/2 (114)

Dimensions are subject to change. Not to be used for construction purposes unless certified.

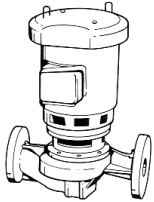
NOTE: For 1 phase Motors add 1" to dimensions E & H.

*For TEFC Motors add S dimension to dimensions E& H.

Xylem Inc.
8200 N. Austin Avenue
Morton Grove, IL 60053
Phone: (847)966-3700
Fax: (847)965-8379
www.bellgossett.com



JOB: UNIT TAG: ENGINEER: CONTRACTOR:	REPRESENTATIVE: ORDER NO. SUBMITTED BY: APPROVED BY:	DATE: DATE: DATE:
---	---	--



2½x2½x7 Series 80® In-Line Mounted Centrifugal Pumps

SPECIFICATIONS

FLOW _____ HEAD _____
 HP _____ RPM _____
 VOLTS _____
 CYCLE _____ PHASE _____
 ENCLOSURE _____
 APPROX. WEIGHT _____
 SPECIALS _____

MATERIALS OF CONSTRUCTION

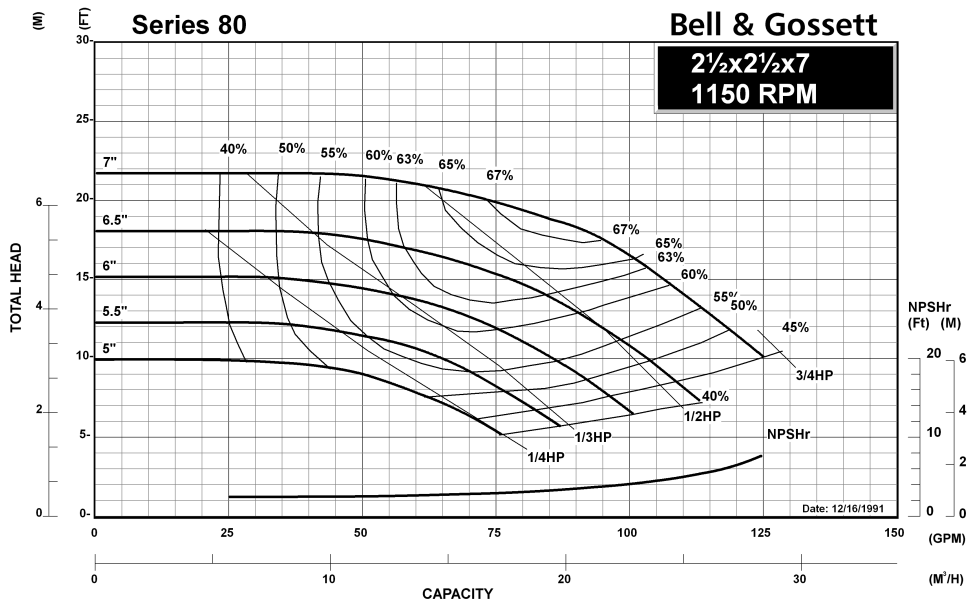
- BRONZE FITTED ALL IRON

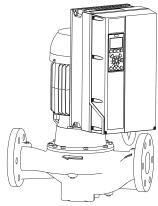
MAXIMUM WORKING PRESSURE

- 175 psi (12 bar) W.P. with 125# ANSI flange drilling
 250 psi (17 bar) W.P. with 250# ANSI flange drilling (requires 80-S)
 300 psi (21 bar) W.P. with 250# ANSI flange drilling (EPR-Sintered Silicon Carbide-Sintered Silicon Carbide) Requires 80-S

TYPE OF SEAL

- 80 Standard Seal (Buna-Carbon/Ceramic)
 80 -F Standard Seal w/ Flush Line (Buna-Carbon/Ceramic)
 80 -S Stuffing Box construction w/ Flushed Mechanical Single Seal (EPR-Tungsten Carbide/Carbon)
 80 -D Stuffing Box construction w/ Flushed Double Mechanical Seal (EPR-Carbon/Ceramic) Requires external water source
 80 -PF Stuffing Box Construction w/ Flushed Packing (Graphite Impregnated PTFE)





2 1/2 x 2 1/2 x 7 Series 80®

In-Line Mounted Centrifugal Pumps
With Optional Integrated Technologic® featuring Sensorless Control

DIMENSIONS – Inches (mm)

STANDARD SEAL 80, 80-F

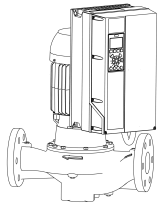
MOTOR FRAME	A	B	E (Max)	G	H (Max)	125# ANSI			250# ANSI			R	VFD	Rv	Zv	W	Hv	Xv
						J	N	P	J	N	P							
143	9 (229)	18 (457)	11-5/8 (295)	5-1/4 (133)	21-3/4 (552)	5-1/2 (140)	4	3/4 (19)	5-7/8 (149)	8	7/8 (22)	9-3/4 (248)	A5	11-25/32 (299)	11-21/64 (288)	9-1/2 (241)	28-25/64 (721)	2-21/64 (59)
145	9 (229)	18 (457)	12-5/8 (321)	5-1/4 (133)	22-3/4 (578)	5-1/2 (140)	4	3/4 (19)	5-7/8 (149)	8	7/8 (22)	9-3/4 (248)	A5	11-25/32 (299)	11-21/64 (288)	9-1/2 (241)	29-25/64 (746)	2-21/64 (59)
182	9 (229)	18 (457)	15-5/16 (389)	5-1/4 (133)	25-1/2 (648)	5-1/2 (140)	4	3/4 (19)	5-7/8 (149)	8	7/8 (22)	11-3/4 (298)	A5	12-25/32 (324)	12-1/32 (306)	9-1/2 (241)	28-21/32 (728)	3-1/32 (77)
184	9 (229)	18 (457)	15-5/16 (389)	5-1/4 (133)	25-1/2 (648)	5-1/2 (140)	4	3/4 (19)	5-7/8 (149)	8	7/8 (22)	11-3/4 (298)	A5	12-25/32 (324)	12-1/32 (306)	9-1/2 (241)	28-21/32 (728)	3-1/32 (77)
													B1	15-5/64 (383)	13-11/16 (348)	9-1/2 (241)	29-23/32 (755)	4-11/16 (119)
213	9 (229)	18 (457)	19-1/4 (489)	5-1/4 (133)	29-3/8 (746)	5-1/2 (140)	4	3/4 (19)	5-7/8 (149)	8	7/8 (22)	14 (356)	A5	13-17/32 (344)	12-9/16 (319)	9-1/2 (241)	31-61/64 (812)	3-9/16 (90)
													B1	15-53/64 (402)	14-7/32 (361)	9-1/2 (241)	33-35/64 (852)	5-7/32 (132)
215	9 (229)	18 (457)	19-1/4 (489)	5-1/4 (133)	29-3/8 (746)	5-1/2 (140)	4	3/4 (19)	5-7/8 (149)	8	7/8 (22)	14 (356)	A5	13-17/32 (344)	12-9/16 (319)	9-1/2 (241)	30-31/64 (774)	3-9/16 (90)
													B1	15-53/64 (402)	14-7/32 (361)	9-1/2 (241)	32-1/64 (813)	5-7/32 (132)
254	9 (229)	18 (457)	24-1/8 (613)	5-1/4 (133)	38-1/8 (968)	5-1/2 (140)	4	3/4 (19)	5-7/8 (149)	8	7/8 (22)	17 (432)	B1	16-53/64 (427)	14-59/64 (379)	9-1/2 (241)	41-1/8 (1044)	5-59/64 (150)
													B2	16-53/64 (427)	14-59/64 (379)	9-1/2 (241)	45-37/64 (1158)	5-59/64 (150)

STUFFING BOX 80-PF, 80-S, 80-D

MOTOR FRAME	A	B	E (Max)	G	H (Max)	125# ANSI			250# ANSI			R	VFD	Rv	Zv	W	Hv	Xv
						J	N	P	J	N	P							
143	9 (229)	18 (457)	11-5/8 (295)	5-1/4 (133)	24-7/8 (632)	5-1/2 (140)	4	3/4 (19)	5-7/8 (149)	8	7/8 (22)	9-3/4 (248)	A5	11-25/32 (299)	11-21/64 (288)	9-1/2 (241)	31-33/64 (800)	2-21/64 (59)
145	9 (229)	18 (457)	12-5/8 (321)	5-1/4 (133)	25-7/8 (657)	5-1/2 (140)	4	3/4 (19)	5-7/8 (149)	8	7/8 (22)	9-3/4 (248)	A5	11-25/32 (299)	11-21/64 (288)	9-1/2 (241)	32-33/64 (826)	2-21/64 (59)
182	9 (229)	18 (457)	15-5/16 (389)	5-1/4 (133)	28-5/8 (727)	5-1/2 (140)	4	3/4 (19)	5-7/8 (149)	8	7/8 (22)	11-3/4 (298)	A5	12-25/32 (324)	12-1/32 (306)	9-1/2 (241)	31-25/32 (807)	3-1/32 (77)
184	9 (229)	18 (457)	15-5/16 (389)	5-1/4 (133)	28-5/8 (727)	5-1/2 (140)	4	3/4 (19)	5-7/8 (149)	8	7/8 (22)	11-3/4 (298)	A5	12-25/32 (324)	12-1/32 (306)	9-1/2 (241)	31-25/32 (807)	3-1/32 (77)
													B1	15-5/64 (383)	13-11/16 (348)	9-1/2 (241)	32-27/32 (834)	4-11/16 (119)
213	9 (229)	18 (457)	19-1/4 (489)	5-1/4 (133)	33-1/4 (845)	5-1/2 (140)	4	3/4 (19)	5-7/8 (149)	8	7/8 (22)	14 (356)	A5	13-17/32 (344)	12-9/16 (319)	9-1/2 (241)	35-53/64 (910)	3-9/16 (90)
													B1	15-53/64 (402)	14-7/32 (361)	9-1/2 (241)	37-27/64 (951)	5-7/32 (132)
215	9 (229)	18 (457)	19-1/4 (489)	5-1/4 (133)	33-1/4 (845)	5-1/2 (140)	4	3/4 (19)	5-7/8 (149)	8	7/8 (22)	14 (356)	A5	13-17/32 (344)	12-9/16 (319)	9-1/2 (241)	34-23/64 (873)	3-9/16 (90)
													B1	15-53/64 (402)	14-7/32 (361)	9-1/2 (241)	35-57/64 (912)	5-7/32 (132)
254	9 (229)	18 (457)	24-1/8 (613)	5-1/4 (133)	38-1/8 (968)	5-1/2 (140)	4	3/4 (19)	5-7/8 (149)	8	7/8 (22)	17 (432)	B1	16-53/64 (427)	14-59/64 (379)	9-1/2 (241)	41-1/8 (1044)	5-59/64 (150)
													B2	16-53/64 (427)	14-59/64 (379)	9-1/2 (241)	45-37/64 (1158)	5-59/64 (150)

Xylem Inc.
8200 N. Austin Avenue
Morton Grove, IL 60053
Phone: (847)966-3700
Fax: (847)965-8379
www.bellgossett.com

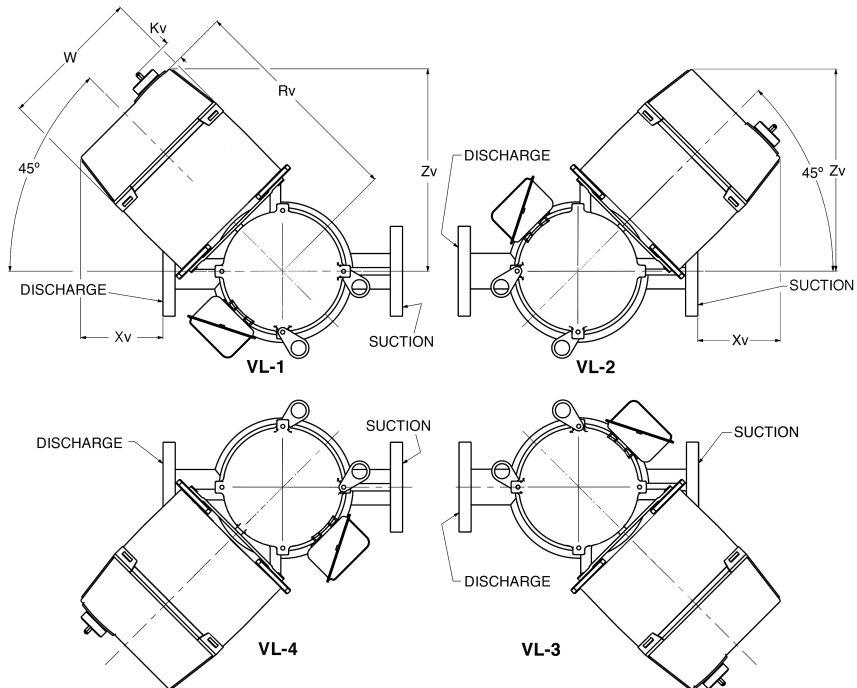
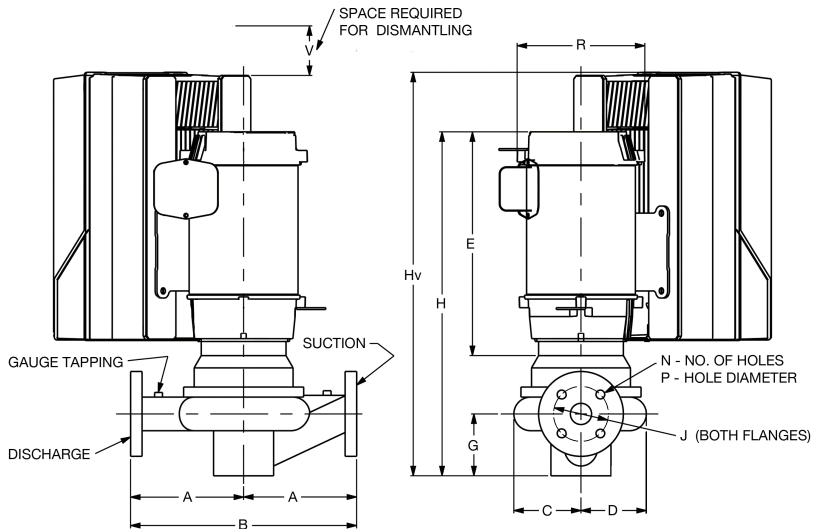




2 1/2 x 2 1/2 x 7 Series 80®

In-Line Mounted Centrifugal Pumps
With Optional Integrated Technologic® featuring Sensorless Control

TECHNOLOGIC STANDARD FEATURES	
CONTROL METHOD	Constant Pressure, Linear Control Curve, Quadratic Control Curve Factory configured for sensorless operation standard. Field configurable for use with a wired transducer.
ENCLOSURE	IP55 / NEMA 12 / UL type 12
POWER DISCONNECT SWITCH	Included standard. Fused Disconnect Switch optional.
EMI/RFI CONTROL	Integrated filter to meet EN62800-3.
HARMONIC SUPPRESSION	Integrated non-saturating dual DC link reactors provide better harmonic performance than a 5% AC line reactor.
COOLING	Fan-cooled through temperature controlled and easy replacement.
AMBIENT TEMPERATURE RATING	14°F to 113°F (-10°C to 45°C)
COMMUNICATION PROTOCOLS	BACnet, Modbus RTU, N2 Metasys, FLN Apogee
ANALOG INPUTS	2 configurable for either voltage (0 to 10VDC) or current(0/4 to 20mA)
ANALOG OUTPUTS	1 (0/4 to 20mA) up to 500 ohm load accurate to 1% of full scale
DIGITAL INPUTS	4 (0 to 24VDC), NPN or PNP, 0 to 24VDC, on 5 msec scan interval, Up to 2 can be configured as pulse inputs.
DIGITAL OUTPUTS	2 (0 to 24VDC), 40mA max current, configurable as pulse outputs.
RELAY OUTPUTS	2 programmable, 240VAC or 400VAC up to 2 A



Xylem Inc.
8200 N. Austin Avenue
Morton Grove, IL 60053
Phone: (847)966-3700
Fax: (847)965-8379
www.bellgossett.com



Bell & Gossett is a trademark of Xylem Inc. or one of its subsidiaries.
© 2013 Xylem Inc.