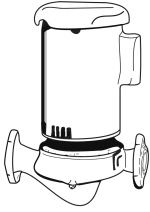


JOB:	REPRESENTATIVE:	
UNIT TAG:	ORDER NO.	DATE:
ENGINEER:	SUBMITTED BY:	DATE:
CONTRACTOR:	APPROVED BY:	DATE:



## Series 90

### Centrifugal Pumps

#### Vertical In-Line Close-Coupled

#### 1750 RPM Single Phase

**FEATURES**

- Lead-Free<sup>†</sup> Bronze Fitted Construction
- Cast Iron Volute
- Lead-Free<sup>†</sup> Brass Impeller

**TYPE OF SEAL**

- Standard Seal  
Buna-Carbon/Ceramic  
0°F to +225°F  
(-18°C to +107°C)

**WORKING PRESSURE**

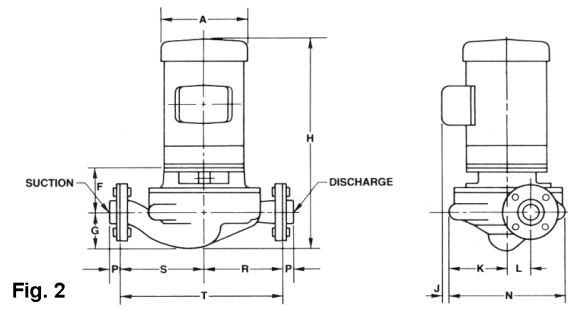
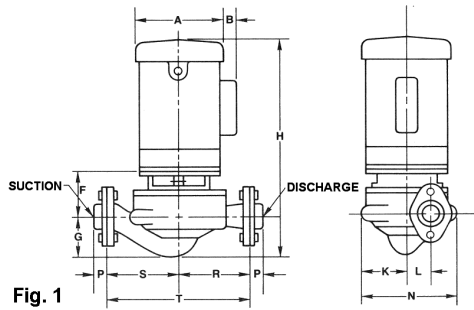
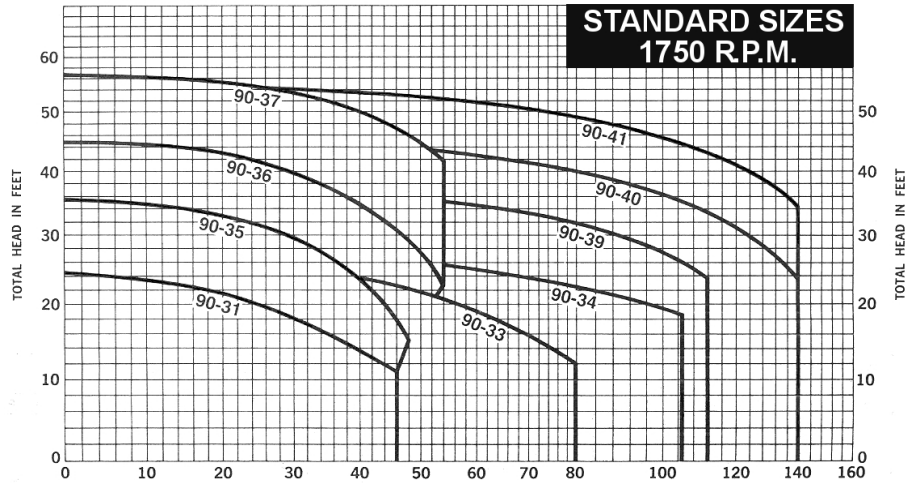
- Standard Seal 175 psi (12 bar) W.P.

<sup>†</sup> Contains less than 0.25% Lead content by weight on the wetted surfaces.

**SCHEDULE**

MODEL NUMBER	PART NUMBER	VOLTAGE	PHASE	CYCLE	TAGGING INFORMATION	QUANTITY
90-31S	179040LF	115/230	1	60		
90-33S	179042LF	115/230	1	60		
90-34S	179044LF	115/230	1	60		
90-35S	179046LF	115/230	1	60		
90-36S	179048LF	115/230	1	60		
90-37S	179050LF	115/230	1	60		
90-39S	179052LF	115/230	1	60		
90-40S	179054LF	115/230	1	60		

All single phase motors have built-in overload protection. Motors are open drip proof.



1750 RPM FIG. 1 ALL MOTORS ARE SINGLE PHASE - FRAME NO. 56

MODEL NO.	PUMP SIZE	SUCTION & DISCHARGE SIZE INS NPT	MOTOR H.P.	NO. OF FLANGE BOLTS	DIMENSIONS - IN INCHES (MM)												
					MAX A	B	F	G	MAX. H	K	L	N	P	R	S	T	
90-31S	1-1/4AA	1-1/4	1/4	2	7-1/2 (190)	1-1/2 (38)	2-3/4 (70)	3-7/16 (87)	15-1/4 (387)	3-5/8 (92)	1-3/8 (35)	7-1/2 (190)	3/4 (19)	5 (127)	6 (152)	11 (279)	
90-33S	1-1/2AA	1-1/2	1/2	2	7-1/2 (190)	1-1/2 (38)	2-7/8 (73)	3-5/8 (92)	16 (406)	3-3/4 (95)	1-3/8 (35)	7-7/8 (200)	3/4 (19)	5 (127)	6-1/2 (165)	11-1/2 (292)	
90-34S	2AA	2	3/4	4	7-1/2 (190)	1-1/2 (38)	3 (76)	3-3/4 (95)	17-1/4 (438)	3-3/4 (95)	1-3/8 (35)	8 (203)	3/16 (5)	5 (127)	6-1/2 (165)	11-1/2 (292)	
90-35S	1-1/2A	1-1/2	1/2	2	7-1/2 (190)	1-1/2 (38)	3-11/16 (94)	3-1/4 (83)	16-1/2 (419)	4-5/8 (117)	1 (25)	9-1/2 (241)	3/4 (19)	6-1/2 (165)	7 (178)	13-1/2 (343)	
90-36S	1-1/2A	1-1/2	3/4	2	7-1/2 (190)	1-1/2 (38)	3-11/16 (94)	3-1/4 (83)	17-1/2 (444)	4-5/8 (117)	1 (25)	9-1/2 (241)	3/4 (19)	6-1/2 (165)	7 (178)	13-1/2 (343)	
90-37S	1-1/2A	1-1/2	1	2	7-1/2 (190)	1-1/2 (38)	3-11/16 (94)	3-1/4 (83)	18-1/4 (464)	4-5/8 (117)	1 (25)	9-1/2 (241)	3/4 (19)	6-1/2 (165)	7 (178)	13-1/2 (343)	
90-39S	2A	2	1	4	7-1/2 (190)	1-1/2 (38)	3-11/16 (94)	3-1/2 (89)	18-1/2 (470)	4-3/4 (121)	1 (25)	9-7/8 (251)	13/16 (21)	6-1/2 (165)	7-1/2 (190)	14 (356)	
90-40S	2A	2	1-1/2	4	7-1/2 (190)	1-1/2 (38)	3-11/16 (94)	3-1/2 (89)	19-3/4 (502)	4-3/4 (121)	1 (25)	9-7/8 (251)	13/16 (21)	6-1/2 (165)	7-1/2 (190)	14 (356)	

Dimensions are subject to change. Not to be used for construction purposes unless certified.

Xylem Inc.  
 8200 N. Austin Avenue  
 Morton Grove, IL 60053  
 Phone: (847)966-3700  
 Fax: (847)965-8379  
 www.xyleminc.com/brands/bellgossett



Bell & Gossett is a trademark of Xylem Inc. or one of its subsidiaries.  
 © 2012 Xylem Inc.