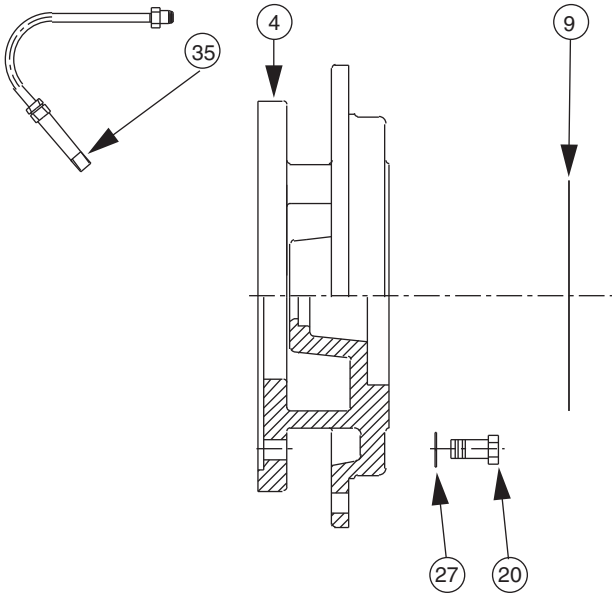


CI Series Cover Replacement Parts

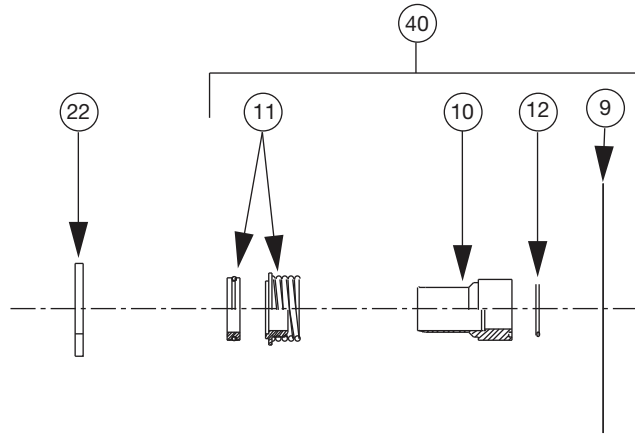


MOTOR FRAME

ITEM NO.	NO. REQ.	DESCRIPTION	MOTOR FRAME				MODEL NO
			H OR J	K	L	M OR N	
4	1	COVER	953-1242RP	953-1243RP	953-1244RP	953-1631RP	1509
4	1	COVER	953-849RP	953-853RP	953-900RP	953-903RP	2509
4	1	COVER, 125#	953-4347RP	953-4348RP	953-4220RP	953-4288RP	2509C
		COVER, 250#	953-4377RP	953-4378RP	953-4379RP	953-4380RP	
4	1	COVER	953-850RP	953-854RP	953-901RP	953-904RP	3009
4	1	COVER	953-2706RP	953-2707RP	953-2708RP	-----	4009
4	1	COVER	953-1131RP	953-1132RP	953-1129RP	-----	5009
4	1	COVER	953-2706RP	953-2707RP	953-2708RP	-----	5095
4	1	COVER	-----	953-1819RP	953-1820RP	953-1821RP	6009
9	1	GASKET (CASING)	SEE PAGE 1	SEE PAGE 1	SEE PAGE 1	SEE PAGE 1	
20	4	MOTOR BOLT	3/8NCX1LG	1/2NCX1-1/4LG	1/2NCX1-1/2LG	5/8NCX1-1/4LG	ALL ABOVE
27	4	MOTOR WASHER	3/8	1/2	1/2	5/8	
35	1	TUBE KIT	951-1547RP	951-1547RP	951-1547RP	951-1547RP	

AW-684 REV D

CI Series Seal Replacement Parts



1206, 1506, 2506		1206, 1506, 2506	
1207, 1507, 2007, 2507, 3007, 4075, 4007, 5007	1207, 1507, 2007, 2507, 3007, 4075, 4007, 5007	1207, 1507, 2007, 2507, 3007, 4075, 4007, 5007	1207, 1507, 2007, 2507, 3007, 4075, 4007, 5007
2508	2508	2508	2508
1509, 2009, 2509, 3009, 2509C, 4009, 5009, 5095, 6009	1509, 2009, 2509, 3009, 2509C, 4009, 5009, 5095, 6009	1509, 2009, 2509, 3009, 2509C, 4009, 5009, 5095, 6009	1509, 2009, 2509, 3009, 2509C, 4009, 5009, 5095, 6009
1511, 2511, 3011, 4011, 5011	1511, 2511, 3011, 4011, 5011, 6011	1511, 2511, 3011, 4011, 5011	1511, 2511, 3011, 4011, 5011, 6011
2510, 2510C	2510, 2510C	2510, 2510C	2510, 2510C
2513, 3013, 4013, 5013	2513, 3013, 4013, 5013 6013	2513, 3013, 4013, 5013	2513, 3013, 4013, 5013 6013

ITEM NO.	NO. REQ.	DESCRIPTION	MOTOR FRAME		MOTOR FRAME	
			H, J OR K	L,M,N OR R	H, J OR K	L,M,N OR R
			MECHANICAL DESIGN (125#)		MECHANICAL DESIGN (250#)	
9	1	GASKET (CASING)	SEE PAGE 1	SEE PAGE 1	SEE PAGE 1	SEE PAGE 1
10	1	SLEEVE (SS)	953-1118RP	953-1170RP	953-1892RP	953-1891RP
10	1	SLEEVE (BRONZE)	953-1119RP	953-1171RP	953-1861RP	953-1887RP
11	1	SEAL (TYPE B)	951-3157RP	951-3158RP	951-3766RP	951-5158RP
11	1	SEAL (TYPE D)	951-3159RP	951-3160RP	951-3781RP	951-5159RP
11	1	SEAL (TYPE E)	951-3161RP	951-3162RP	951-3782RP	951-5160RP
12	1	SLEEVE GASKET	592-525RP	951-3042RP	953-525RP	951-3042RP
22	1	DEFLECTOR	900-044RP	951-3065RP	900-044RP	951-3065RP
40	1	SEAL KIT (TYPE B) SS	953-1549-1RP	953-1549-4RP	953-1549-7RP	953-1549-10RP
40	1	SEAL KIT (TYPE B) BRZ	953-1549-1BRP	953-1549-4BRP	953-1549-7BRP	953-1549-10BRP
40	1	SEAL KIT (TYPE D) SS	953-1549-2RP	953-1549-5RP	953-1549-8RP	953-1549-11RP
40	1	SEAL KIT (TYPE D) BRZ	953-1549-2BRP	953-1549-5BRP	953-1549-8BRP	953-1549-11BRP
40	1	SEAL KIT (TYPE E) SS	953-1549-3RP	953-1549-6RP	953-1549-9RP	953-1549-12RP
40	1	SEAL KIT (TYPE E) BRZ	953-1549-3BRP	953-1549-6BRP	953-1549-9BRP	953-1549-12BRP

AW-687 REV E

Do it Once. Do it Right.®

TACO, INC., 1160 Cranston Street, Cranston, RI 02920 Telephone: (401) 942-8000 FAX: (401) 942-2360.
TACO (Canada), Ltd., 8450 Lawson Road, Unit #3, Milton, Ontario L9T 0J8. Telephone: 905/564-9422. FAX: 905/564-9436.

Visit our web site at: <http://www.taco-hvac.com>

Printed in USA
Copyright 2012
TACO, Inc.