



Replacement Parts List

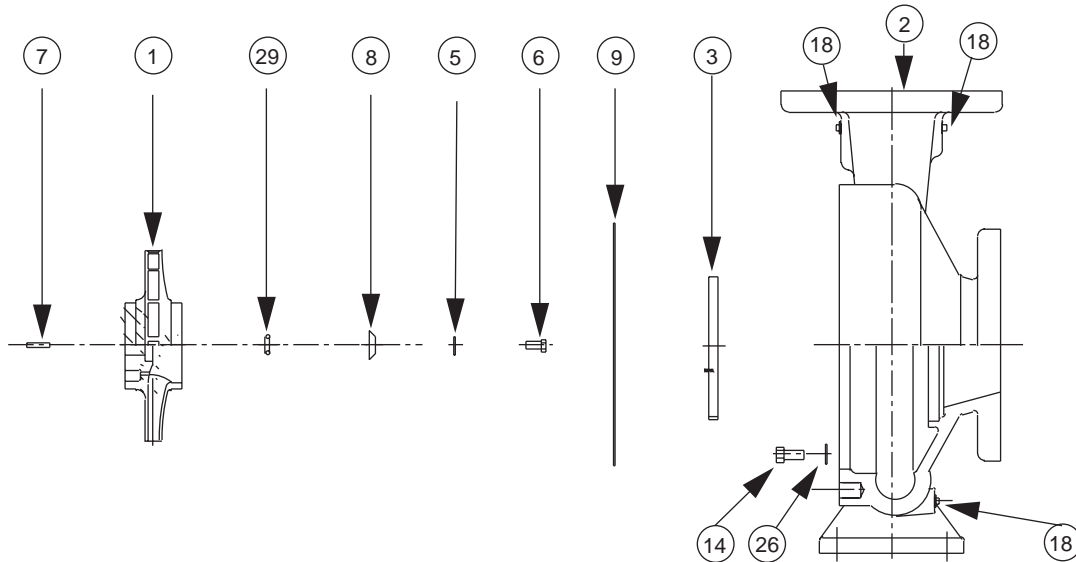
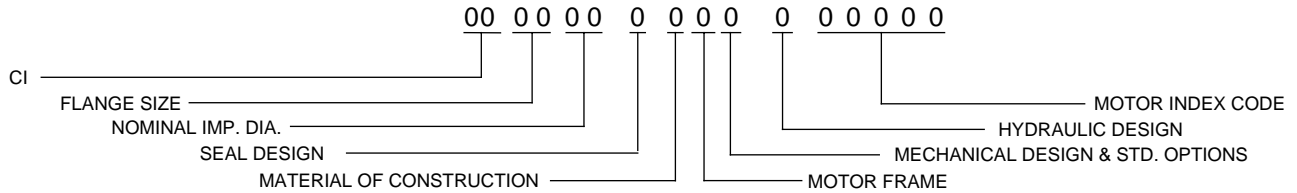
304-371

CI 1207, 1507 & 2507

SUPERSEDES: 304-371 February 28, 2003

EFFECTIVE: January 31, 2004

WHEN SELECTING AND ORDERING PARTS, ALWAYS REFER TO SERIAL NUMBER ON NAMEPLATE

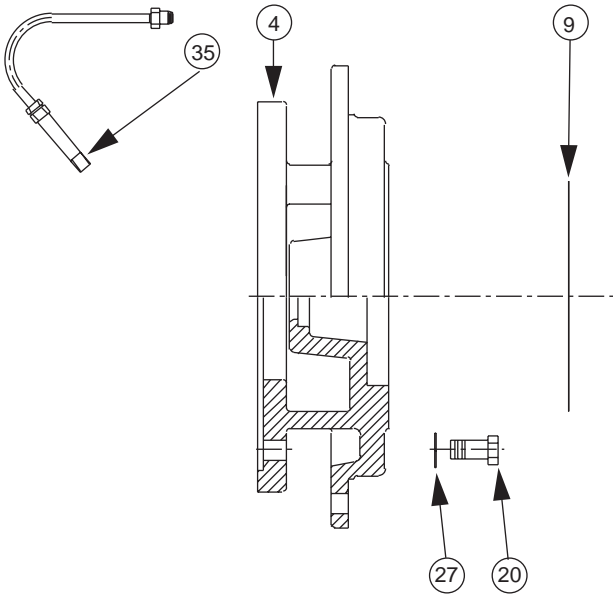


ITEM NO.	NO. REQ.	DESCRIPTION	1207	1507	1507	2507	2507
			FRAME H, J OR K	FRAME H, J OR K	FRAME L, M OR N	FRAME H, J OR K	FRAME L, M OR N
1	1	IMPELLER (CI)	953-555RP	953-556RP	953-557RP	953-558RP	953-559RP
1	1	IMPELLER (BRZ)	953-930RP	953-1051RP	953-1052RP	953-1053RP	953-1054RP
2	1	CASING (125#)(NO W/R)	953-2387RP*	953-2395RP*	953-2395RP*	953-588RP	953-588RP
2	1	CASING (250#)(NO W/R)	953-2388RP*	953-2396RP*	953-2396RP*	953-589RP	953-589RP
2	1	CASING (125#)(BRZ W/R)	953-2389RP*	953-2397RP*	953-2397RP*	953-2290RP	953-2290RP
2	1	CASING (250#)(BRZ W/R)	953-2390RP*	953-2398RP*	953-2398RP*	953-2291RP	953-2291RP
3	1(W/R)	WEAR RING (BRZ)	953-596RP	953-1160RP	953-1160RP	953-597RP	953-597RP
5	1	DOWDY WASHER	951-2578RP	951-2578RP	951-2579RP	951-2578RP	951-2579RP
6	1	IMPELLER BOLT (SST)	3/8NCX1LG	3/8NCX1LG	1/2NCX1-1/2LG	3/8NCX1LG	1/2NCX1-1/2LG
7	1	IMPELLER KEY (SST)	3/16X3/16X1-1/8LG	3/16X3/16X1-1/8LG	1/4X1/4X2LG	3/16X3/16X1-1/8LG	1/4X1/4X2LG
8	1	IMPELLER WASHER	953-828RP	953-828RP	953-829RP	953-828RP	953-829RP
9	1	GASKET (CASING)	953-568RP	953-568RP	953-568RP	953-568RP	953-568RP
14	8	CASING BOLT (ST)	3/8NCX1LG	3/8NCX1LG	3/8NCX1LG	3/8NCX1LG	3/8NCX1LG
18	3	PIPE PLUG (BRS)	1/4 NPT	1/4 NPT	1/4 NPT	1/4 NPT	1/4 NPT
26	8	CASING WASHER (ZN)	3/8	3/8	3/8	3/8	3/8
29	1	IMPELLER GASKET	953-830RP	953-830RP	953-759RP	953-830RP	953-759RP

*1207 AND 1507 CASINGS ARE HYDRAULIC DESIGN "B"

AW-672 REV A

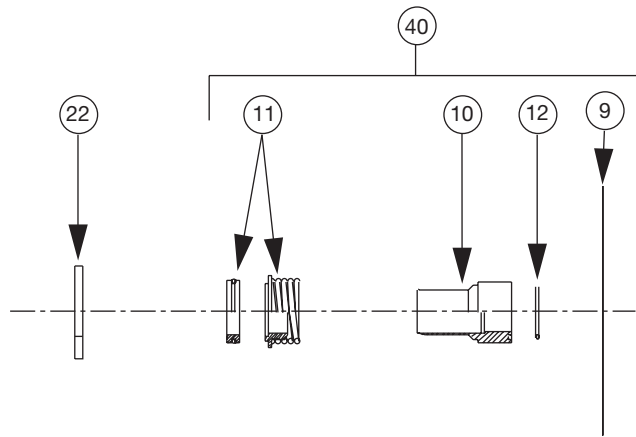
CI Series Cover Replacement Parts



AW-683 REV B

ITEM NO.	NO. REQ.	DESCRIPTION	MOTOR FRAME					MODEL NO
			H OR J	K	L	M OR N	R	
4	1	COVER	953-1168RP	953-1169RP				1207
4	1	COVER	953-1161RP	953-1162RP	953-1163RP			1507
4	1	COVER	953-1164RP	953-1165RP	953-1166RP	953-1167RP		2507
4	1	COVER	953-562RP	953-564RP	953-566RP	953-567RP		3007
4	1	COVER	953-1788RP	953-1789RP	953-1790RP	953-1791RP		4075
4	1	COVER	953-1380RP	953-1381RP	953-1382RP	953-1383RP		4007
4	1	COVER	953-1742RP	953-1743RP				5007
9	1	GASKET (CASING)	SEE PAGE 1	SEE PAGE 1	SEE PAGE 1	SEE PAGE 1		ALL ABOVE
20	4	MOTOR BOLT	3/8NCX7/8LG	1/2NCX1LG	1/2NCX1LG	5/8NCX1-1/4LG		
27	4	MOTOR WASHER	3/8	1/2	1/2	5/8		
35	1	TUBE KIT	951-1547RP	951-1547RP	951-1547RP	951-1547RP		

CI Series Seal Replacement Parts



1206, 1506, 2506		1206, 1506, 2506	
1207, 1507, 2007, 2507, 3007, 4075, 4007, 5007	1207, 1507, 2007, 2507, 3007, 4075, 4007, 5007	1207, 1507, 2007, 2507, 3007, 4075, 4007, 5007	1207, 1507, 2007, 2507, 3007, 4075, 4007, 5007
2508	2508	2508	2508
1509, 2009, 2509, 3009, 4009, 5009, 5095, 6009	1509, 2009, 2509, 3009, 4009, 5009, 5095, 6009	1509, 2009, 2509, 3009, 4009, 5009, 5095, 6009	1509, 2009, 2509, 3009, 4009, 5009, 5095, 6009
1511, 2511, 3011, 4011, 5011	1511, 2511, 3011, 4011, 5011, 6011	1511, 2511, 3011, 4011, 5011	1511, 2511, 3011, 4011, 5011, 6011
2510	2510	2510	2510
2513, 3013, 4013, 5013	2513, 3013, 4013, 5013, 6013	2513, 3013, 4013, 5013	2513, 3013, 4013, 5013, 6013

ITEM NO.	NO. REQ.	DESCRIPTION	MOTOR FRAME		MOTOR FRAME	
			H, J OR K	L,M,N OR R	H, J OR K	L,M,N OR R
			MECHANICAL DES. A (125#)		MECHANICAL DES. B (250#)	
9	1	GASKET (CASING)	SEE PAGE 1	SEE PAGE 1	SEE PAGE 1	SEE PAGE 1
10	1	SLEEVE (SS)	953-1118RP	953-1170RP	953-1118RP	953-1170RP
10	1	SLEEVE (BRZ)	953-1119RP	953-1171RP	953-1119RP	953-1171RP
11	1	SEAL (TYPE B)	951-3157RP	951-3158RP	951-3766RP	951-5158RP
11	1	SEAL (TYPE D)	951-3159RP	951-3160RP	951-3781RP	951-5159RP
11	1	SEAL (TYPE E)	951-3161RP	951-3162RP	951-3782RP	951-5160RP
12	1	SLEEVE GASKET	953-830RP	951-3042RP	953-830RP	951-3042RP
22	1	DEFLECTOR	900-044RP	951-3065RP	900-044RP	951-3065RP
40	1	SEAL KIT (TYPE B) SS	953-1549-1RP	953-1549-4RP	953-1549-7RP	953-1549-10RP
40	1	SEAL KIT (TYPE B) BRZ	953-1549-1BRP	953-1549-4BRP	953-1549-7BRP	953-1549-10BRP
40	1	SEAL KIT (TYPE D) SS	953-1549-2RP	953-1549-5RP	953-1549-8RP	953-1549-11RP
40	1	SEAL KIT (TYPE D) BRZ	953-1549-2BRP	953-1549-5BRP	953-1549-8BRP	953-1549-11BRP
40	1	SEAL KIT (TYPE E) SS	953-1549-3RP	953-1549-6RP	953-1549-9RP	953-1549-12RP
40	1	SEAL KIT (TYPE E) BRZ	953-1549-3BRP	953-1549-6BRP	953-1549-9BRP	953-1549-12BRP

AW-687 REV C

Do it Once. Do it Right.™

TACO, INC., 1160 Cranston Street, Cranston, RI 02920 Telephone: (401) 942-8000 FAX: (401) 942-2360.
TACO (Canada), Ltd., 6180 Ordan Drive, Mississauga, Ontario L5T 2B3. Telephone: 905/564-9422. FAX: 905/564-9436.

Visit our web site at: <http://www.taco-hvac.com>

Printed in USA

Copyright 2004

TACO, Inc.