



Submersible Turbine Repair Parts

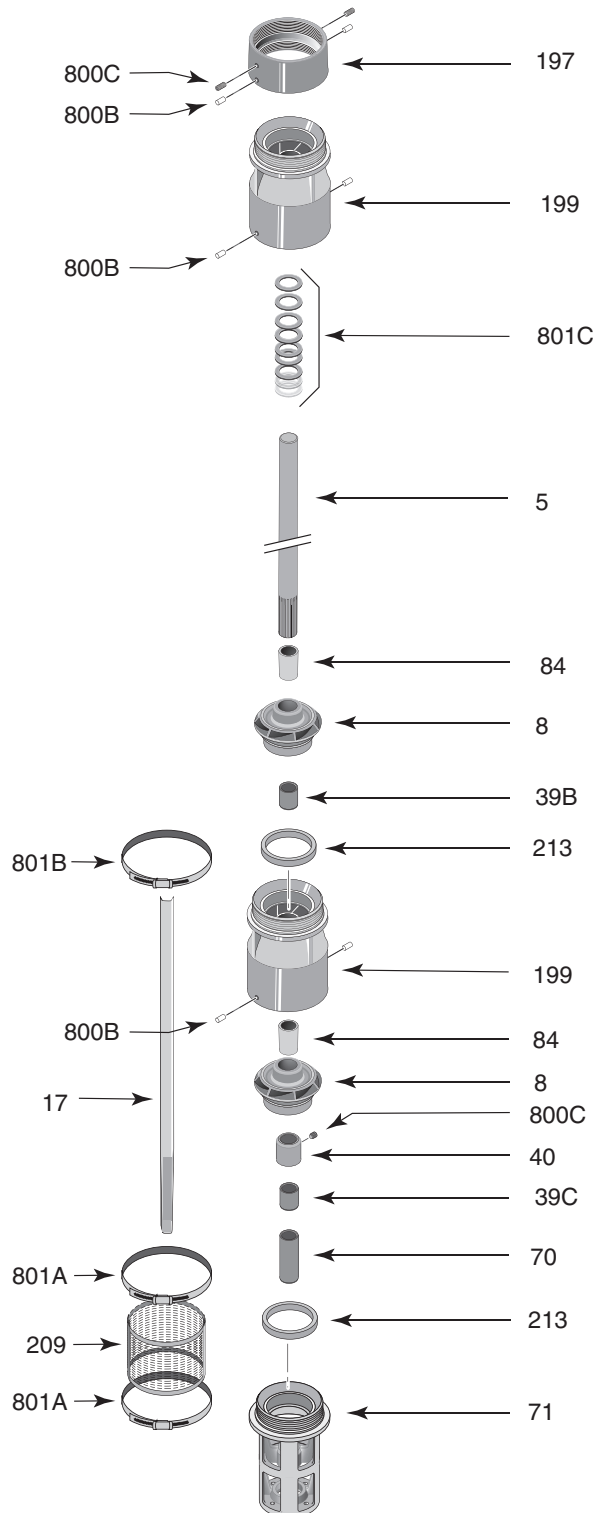
Section	ST
Page	290.1
Date	June 13, 2007
Supersedes 11/1/05	

Threaded Bowls

10T-1600

8" Motors

10T-1600 Common Parts Groups Repair Parts List



Item No.	Part Description	Part Number
39B	Bearing, 10T (2 Stages and up)	M14167
39C	Bracket, Bearing	M08375
40	Sand Collar, 1-1/2" Bronze	S34223
70	Shaft Coupling, 1-1/2" ID 416SS	L06905
71	Bracket	M14091
84	Collet, 10T	M14168
197	Discharge Adapter 8" NPT	M14094
199	Bowl, 10T	M14165
209	Suction Screen	M06684
213	Wear Ring, 10T (1 per Bracket and Bowl)	M14166
800B	Dowel Pin, 1/8 x 3/8" 303S (2 Req.)	S29766
800C	Set Screw, Hex Socket 3/8-16 x 1/2" (2 Req.)	S24289
801A	Screen Clamp (2 Req.)	S14661
801B	Cable Guard Clamp (2 Req.)	M10193
801C	Thrust Washer* (12 Req.)	M14791
	• Spring Lock Washer, 5/8" (4 Req.)	S23093
	• Upthrust Adjustment Tag	M09970
	• Pop Rivet, 0.093" x 0.22" lg. (2 Req.)	M10199
	• Nameplate	M12165
	• Owner's Manual	BE215

• Not illustrated.

* Consult Owner's Manual for upthrust setting.

Additional Staging

(Quantity: 1 each per stage except Dowel Pins)

Item Number	Part Number	Part Description
39B	M14167	Bearing, 10T
84	M14168	Collet, 10T
199	M14165	Bowl, 10T
213	M14166	Wear Ring, 10T
800B	S29766	Dowel Pin, 1/8 x 3/8 303 SS (2 Req.)

Cable Guard Length*

(See Key #17)

Stages	Length (In.)
1	26.88
2	34.75
3	42.62
4	50.50

* Sold in 12' lengths only, Part Number M10252.

Consult owner's manual for correct assembly and adjustment procedures.



Submersible Turbine Repair Parts

Section	ST
Page	290.2
Date	April 28, 2009
Supersedes 11/9/07	

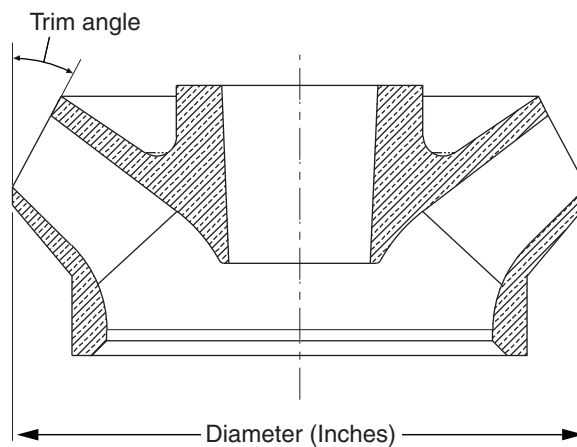
Threaded Bowls

10T-1600

6" and 8" Motors

Available Impellers*

Description	Part Number	Size (In.)	Trim Angle
"A" Full Trim	M14162	7.96	28°
"B" 5% Trim	M14143	7.66	28°
"C" 10% Trim	M14144	7.26	28°



Note: Trim both front and back shrouds.

10T-1600 Impeller Specifications

Catalog Number	Horsepower	416 SS Shaft§	Primary Trims	Part Number†	Trim (In.)	Secondary Trim	Part Number†	Trim (In.)
B82915	60	M14128	1	M14143	7.66			
B85332	60	M14671	1	M14143	7.66			
B82916	75	M14128	1	M14162	7.96			
B82917	100	M14129	1	M14143	7.66	1	M14144	7.26
B82918	125	M14129	2	M14144	7.26			
B82919	150	M14130	1	M14143	7.66	2	M14144	7.26
B85316	175	M14130	2	M14162	7.96	1	M14144	7.26
B82920	200	M14131	1	M14143	7.66	3	M14144	7.26

† Key #8 – Impeller.

§ Key #5 – Pump Shaft.