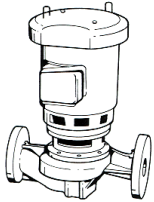


JOB: UNIT TAG: ENGINEER: CONTRACTOR:	REPRESENTATIVE: ORDER NO.: SUBMITTED BY: APPROVED BY:	DATE: DATE: DATE:
---	--	--



1 1/2 x 1 1/2 x 7B

Series 80[®]

In-Line Mounted Centrifugal Pumps

SPECIFICATIONS

FLOW _____ HEAD _____

HP _____ RPM _____

VOLTS _____

CYCLE _____ PHASE _____

ENCLOSURE _____

APPROX. WEIGHT _____

SPECIALS _____

MATERIALS OF CONSTRUCTION

BRONZE FITTED ALL IRON

MAXIMUM WORKING PRESSURE

175 psi (12 bar) W.P. with 125# ANSI flange drilling

250 psi (17 bar) W.P. with 250# ANSI flange drilling (requires 80-S)

300 psi (21 bar) W.P. with 250# ANSI flange drilling (EPR-Sintered Silicon Carbide-Sintered Silicon Carbide) Requires 80-S

TYPE OF SEAL

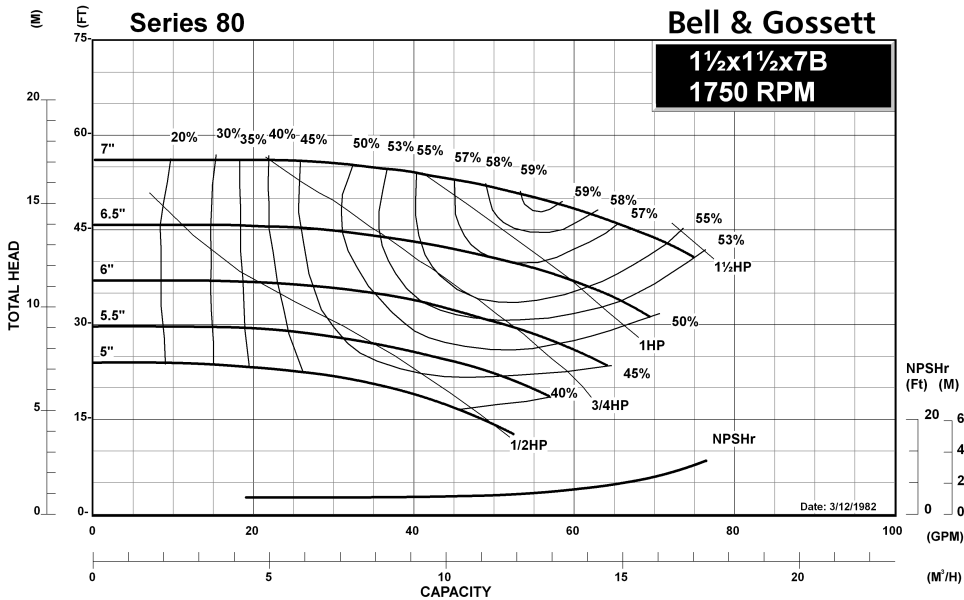
80 Standard Seal (Buna-Carbon/Ceramic)

80 -F Standard Seal w/ Flush Line (Buna-Carbon/Ceramic)

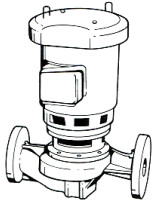
80 -S Stuffing Box construction w/ Flushed Mechanical Single Seal (EPR-Tungsten Carbide/Carbon)

80 -D Stuffing Box construction w/ Flushed Double Mechanical Seal (EPR-Carbon/Ceramic) Requires external water source

80 -PF Stuffing Box Construction w/ Flushed Packing (Graphite Impregnated PTFE)



JOB: UNIT TAG: ENGINEER: CONTRACTOR:	REPRESENTATIVE: ORDER NO.: SUBMITTED BY: APPROVED BY:	DATE: DATE: DATE:
---	--	--



1½x1½x7B

Series 80®

In-Line Mounted Centrifugal Pumps

SPECIFICATIONS

FLOW _____ HEAD _____
 HP _____ RPM _____
 VOLTS _____
 CYCLE _____ PHASE _____
 ENCLOSURE _____
 APPROX. WEIGHT _____
 SPECIALS _____

MATERIALS OF CONSTRUCTION

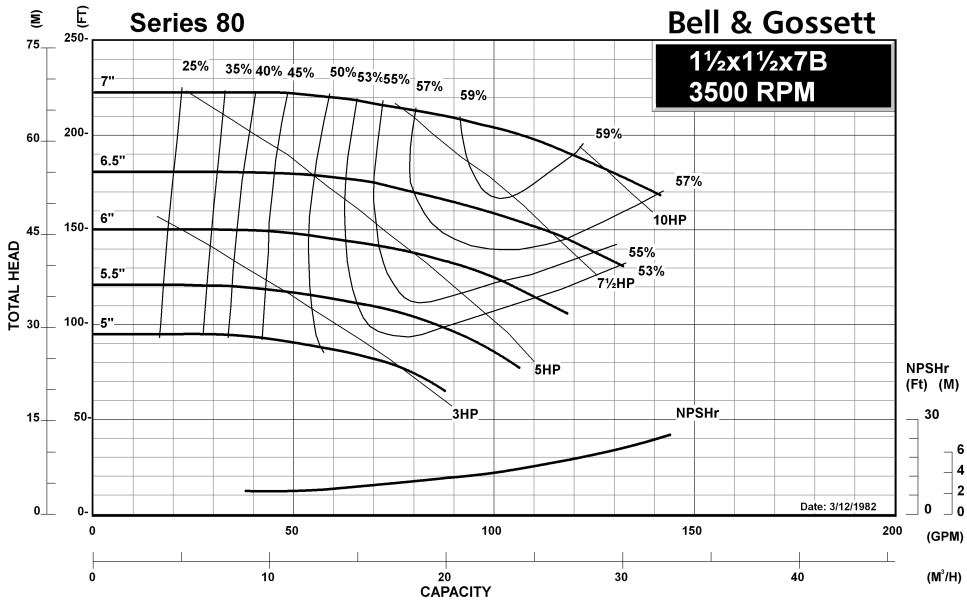
- BRONZE FITTED ALL IRON

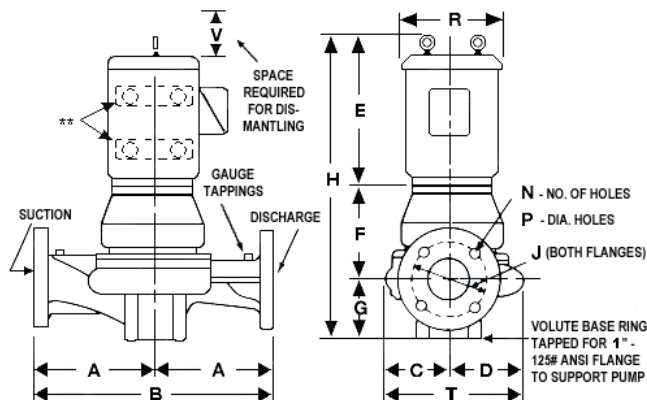
MAXIMUM WORKING PRESSURE

- 175 psi (12 bar) W.P. with 125# ANSI flange drilling
 250 psi (17 bar) W.P. with 250# ANSI flange drilling (requires 80-S)
 300 psi (21 bar) W.P. with 250# ANSI flange drilling (EPR-Sintered Silicon Carbide-Sintered Silicon Carbide) Requires 80-S

TYPE OF SEAL

- 80 Standard Seal (Buna-Carbon/Ceramic)
 80 -F Standard Seal w/ Flush Line (Buna-Carbon/Ceramic)
 80 -S Stuffing Box construction w/ Flushed Mechanical Single Seal (EPR-Tungsten Carbide/Carbon)
 80 -D Stuffing Box construction w/ Flushed Double Mechanical Seal (EPR-Carbon/Ceramic) Requires external water source
 80 -PF Stuffing Box Construction w/ Flushed Packing (Graphite Impregnated PTFE)





FLANGE DIMENSIONS IN INCHES (MM)			
	SIZE	THICKNESS	O.D.
Discharge	1-1/2"	13/16" (21)	6" (152)
Suction	1-1/2"	13/16" (21)	6" (152)

FLANGES ARE 125# ANSI - STANDARD
250# ANSI - AVAILABLE

** Motor may be supplied with feet

DIMENSIONS - Inches (mm)

STANDARD SEAL 80, 80-F

MOTOR FRAME	A	B	C	D	E (Max)	F	G	H (Max)	125# ANSI			250# ANSI			R	S (Max)*	T	V (Min)
									J	N	P	J	N	P				
143JM	8 (203)	16 (406)	4-5/8 (117)	4-3/4 (121)	11-5/8 (295)	4-5/8 (117)	4-3/8 (111)	20-5/8 (524)	3-7/8 (98)	4	5/8 (16)	4-1/2 (114)	4	7/8 (22)	9-3/4 (248)	1-1/2 (38)	9-3/8 (238)	4 (102)
145JM	8 (203)	16 (406)	4-5/8 (117)	4-3/4 (121)	12-5/8 (321)	4-5/8 (117)	4-3/8 (111)	21-5/8 (549)	3-7/8 (98)	4	5/8 (16)	4-1/2 (114)	4	7/8 (22)	9-3/4 (248)	1-1/2 (38)	9-3/8 (238)	4 (102)
182JM	8 (203)	16 (406)	4-5/8 (117)	4-3/4 (121)	15-5/16 (389)	4-5/8 (117)	4-3/8 (111)	24-3/8 (619)	3-7/8 (98)	4	5/8 (16)	4-1/2 (114)	4	7/8 (22)	11-3/4 (298)	1 (25)	9-3/8 (238)	4 (102)
184JM	8 (203)	16 (406)	4-5/8 (117)	4-3/4 (121)	15-5/16 (389)	4-5/8 (117)	4-3/8 (111)	24-3/8 (619)	3-7/8 (98)	4	5/8 (16)	4-1/2 (114)	4	7/8 (22)	11-3/4 (298)	1 (25)	9-3/8 (238)	4 (102)
213JM	8 (203)	16 (406)	4-5/8 (117)	4-3/4 (121)	19-1/4 (489)	4-5/8 (117)	4-3/8 (111)	28-1/4 (718)	3-7/8 (98)	4	5/8 (16)	4-1/2 (114)	4	7/8 (22)	14 (356)	-	9-3/8 (238)	4 (102)
215JM	8 (203)	16 (406)	4-5/8 (117)	4-3/4 (121)	19-1/4 (489)	4-5/8 (117)	4-3/8 (111)	28-1/4 (718)	3-7/8 (98)	4	5/8 (16)	4-1/2 (114)	4	7/8 (22)	14 (356)	-	9-3/8 (238)	4 (102)

STUFFING BOX 80-PF, 80-S, 80-D

MOTOR FRAME	A	B	C	D	E (Max)	F	G	H (Max)	125# ANSI			250# ANSI			R	S (Max)*	T	V (Min)
									J	N	P	J	N	P				
143JP	8 (203)	16 (406)	4-5/8 (117)	4-3/4 (121)	11-5/8 (295)	7-3/4 (197)	4-3/8 (111)	23-3/4 (603)	3-7/8 (98)	4	5/8 (16)	4-1/2 (114)	4	7/8 (22)	9-3/4 (248)	1-1/2 (38)	9-3/8 (238)	4 (102)
145JP	8 (203)	16 (406)	4-5/8 (117)	4-3/4 (121)	12-5/8 (321)	7-3/4 (197)	4-3/8 (111)	24-3/4 (629)	3-7/8 (98)	4	5/8 (16)	4-1/2 (114)	4	7/8 (22)	9-3/4 (248)	1-1/2 (38)	9-3/8 (238)	4 (102)
182JP	8 (203)	16 (406)	4-5/8 (117)	4-3/4 (121)	15-5/16 (389)	7-3/4 (197)	4-3/8 (111)	27-1/2 (698)	3-7/8 (98)	4	5/8 (16)	4-1/2 (114)	4	7/8 (22)	11-3/4 (298)	1 (25)	9-3/8 (238)	4 (102)
184JP	8 (203)	16 (406)	4-5/8 (117)	4-3/4 (121)	15-5/16 (389)	7-3/4 (197)	4-3/8 (111)	27-1/2 (698)	3-7/8 (98)	4	5/8 (16)	4-1/2 (114)	4	7/8 (22)	11-3/4 (298)	1 (25)	9-3/8 (238)	4 (102)

Dimensions are subject to change. Not to be used for construction purposes unless certified.

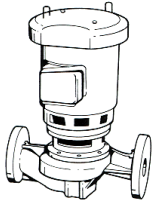
NOTE: For 1 phase Motors add 1" to dimensions E & H.

*For TEFC Motors add S dimension to dimensions E & H.

Xylem Inc.
8200 N. Austin Avenue
Morton Grove, IL 60053
Phone: (847)966-3700
Fax: (847)965-8379
www.bellgossett.com



JOB: UNIT TAG: ENGINEER: CONTRACTOR:	REPRESENTATIVE: ORDER NO.: SUBMITTED BY: APPROVED BY:	DATE: DATE: DATE:
---	--	--



1½x1½x7B

Series 80®

In-Line Mounted Centrifugal Pumps

SPECIFICATIONS

FLOW _____ HEAD _____

HP _____ RPM _____

VOLTS _____

CYCLE _____ PHASE _____

ENCLOSURE _____

APPROX. WEIGHT _____

SPECIALS _____

MATERIALS OF CONSTRUCTION

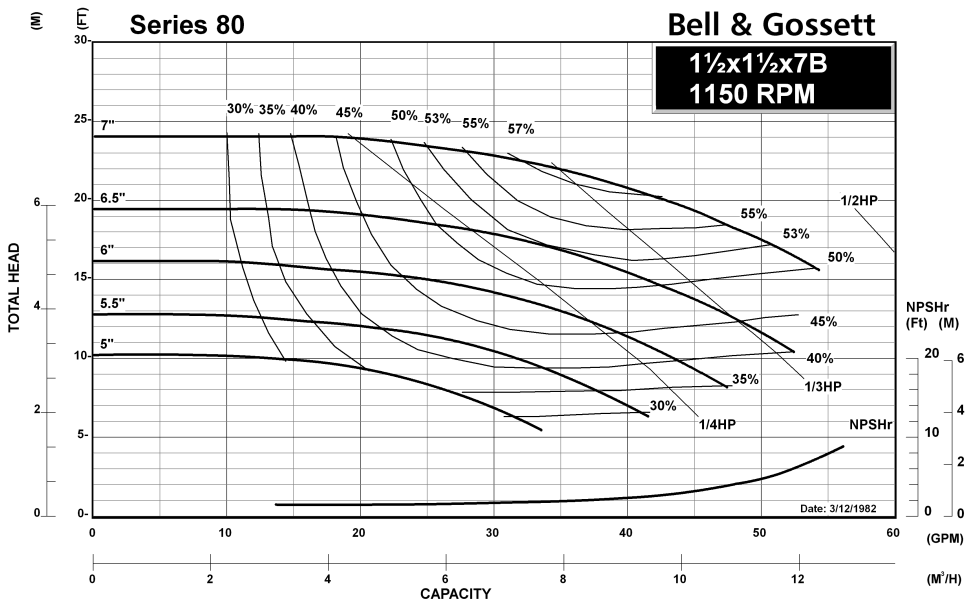
- BRONZE FITTED ALL IRON

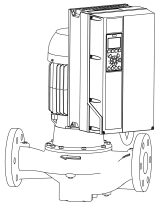
MAXIMUM WORKING PRESSURE

- 175 psi (12 bar) W.P. with 125# ANSI flange drilling
- 250 psi (17 bar) W.P. with 250# ANSI flange drilling (requires 80-S)
- 300 psi (21 bar) W.P. with 250# ANSI flange drilling (EPR-Sintered Silicon Carbide-Sintered Silicon Carbide) Requires 80-S

TYPE OF SEAL

- 80 Standard Seal (Buna-Carbon/Ceramic)
- 80 -F Standard Seal w/ Flush Line (Buna-Carbon/Ceramic)
- 80 -S Stuffing Box construction w/ Flushed Mechanical Single Seal (EPR-Tungsten Carbide/Carbon)
- 80 -D Stuffing Box construction w/ Flushed Double Mechanical Seal (EPR-Carbon/Ceramic) Requires external water source
- 80 -PF Stuffing Box Construction w/ Flushed Packing (Graphite Impregnated PTFE)

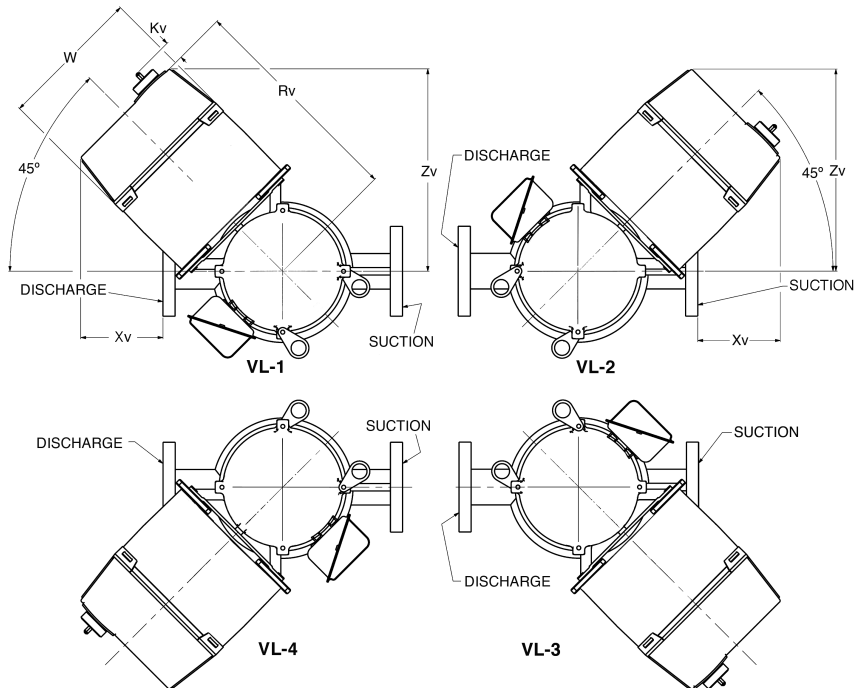
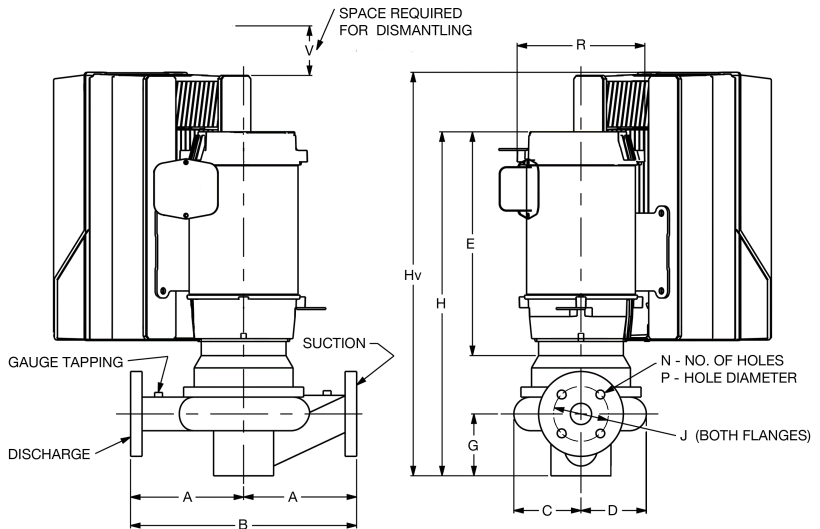




1 1/2x1 1/2x7B Series 80[®]

**In-Line Mounted Centrifugal Pumps
With Optional Integrated Technologic[®] featuring Sensorless Control**

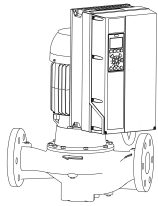
TECHNOLOGIC STANDARD FEATURES	
CONTROL METHOD	Constant Pressure, Linear Control Curve, Quadratic Control Curve Factory configured for sensorless operation standard. Field configurable for use with a wired transducer.
ENCLOSURE	IP55 / NEMA 12 / UL type 12
POWER DISCONNECT SWITCH	Included standard. Fused Disconnect Switch optional.
EMI/RFI CONTROL	Integrated filter to meet EN62800-3.
HARMONIC SUPPRESSION	Integrated non-saturating dual DC link reactors provide better harmonic performance than a 5% AC line reactor.
COOLING	Fan-cooled through temperature controlled and easy replacement.
AMBIENT TEMPERATURE RATING	14°F to 113°F (-10°C to 45°C)
COMMUNICATION PROTOCOLS	BACnet, Modbus RTU, N2 Metasys, FLN Apogee
ANALOG INPUTS	2 configurable for either voltage (0 to 10VDC) or current(0/4 to 20mA)
ANALOG OUTPUTS	1 (0/4 to 20mA) up to 500 ohm load accurate to 1% of full scale
DIGITAL INPUTS	4 (0 to 24VDC), NPN or PNP, 0 to 24VDC, on 5 msec scan interval, Up to 2 can be configured as pulse inputs.
DIGITAL OUTPUTS	2 (0 to 24VDC), 40mA max current, configurable as pulse outputs.
RELAY OUTPUTS	2 programmable, 240VAC or 400VAC up to 2 A



Xylem Inc.
8200 N. Austin Avenue
Morton Grove, IL 60053
Phone: (847)966-3700
Fax: (847)965-8379
www.bellgossett.com

xylem
Let's Solve Water

Bell & Gossett is a trademark of Xylem Inc. or one of its subsidiaries.
© 2013 Xylem Inc.



1 1/2x1 1/2x7B Series 80[®]

In-Line Mounted Centrifugal Pumps
With Optional Integrated Technologic[®] featuring Sensorless Control

DIMENSIONS – Inches (mm)

STANDARD SEAL 80, 80-F

MOTOR FRAME	A	B	E (Max)	G	H (Max)	125# ANSI			250# ANSI			R	VFD	Rv	Zv	W	Hv	Xv
						J	N	P	J	N	P							
143JM	8 (203)	16 (406)	11-5/8 (295)	4-3/8 (111)	20-5/8 (524)	3-7/8 (98)	4	5/8 (16)	4-1/2 (114)	4	7/8 (22)	9-3/4 (248)	A5	11-25/32 (299)	11-21/64 (288)	9-1/2 (241)	27-17/64 (692)	3-21/64 (84)
145JM	8 (203)	16 (406)	12-5/8 (321)	4-3/8 (111)	21-5/8 (549)	3-7/8 (98)	4	5/8 (16)	4-1/2 (114)	4	7/8 (22)	9-3/4 (248)	A5	11-25/32 (299)	11-21/64 (288)	9-1/2 (241)	28-17/64 (718)	3-21/64 (84)
182JM	8 (203)	16 (406)	15-5/16 (389)	4-3/8 (111)	24-3/8 (619)	3-7/8 (98)	4	5/8 (16)	4-1/2 (114)	4	7/8 (22)	11-3/4 (298)	A5	12-25/32 (324)	12-1/32 (306)	9-1/2 (241)	27-17/32 (699)	4-1/32 (102)
184JM	8 (203)	16 (406)	15-5/16 (389)	4-3/8 (111)	24-3/8 (619)	3-7/8 (98)	4	5/8 (16)	4-1/2 (114)	4	7/8 (22)	11-3/4 (298)	A5	12-25/32 (324)	12-1/32 (306)	9-1/2 (241)	27-17/32 (699)	4-1/32 (102)
													B1	15-5/64 (383)	13-11/16 (348)	9-1/2 (241)	28-19/32 (726)	5-11/16 (144)
213JM	8 (203)	16 (406)	19-1/4 (489)	4-3/8 (111)	28-1/4 (718)	3-7/8 (98)	4	5/8 (16)	4-1/2 (114)	4	7/8 (22)	14 (356)	A5	13-17/32 (344)	12-9/16 (319)	9-1/2 (241)	30-53/64 (783)	4-9/16 (116)
													B1	15-53/64 (402)	14-7/32 (361)	9-1/2 (241)	32-27/64 (824)	6-7/32 (158)
215JM	8 (203)	16 (406)	19-1/4 (489)	4-3/8 (111)	28-1/4 (718)	3-7/8 (98)	4	5/8 (16)	4-1/2 (114)	4	7/8 (22)	14 (356)	A5	13-17/32 (344)	12-9/16 (319)	9-1/2 (241)	29-23/64 (746)	4-9/16 (116)
													B1	15-53/64 (402)	14-7/32 (361)	9-1/2 (241)	30-57/64 (785)	6-7/32 (158)

STUFFING BOX 80-PF, 80-S, 80-D

MOTOR FRAME	A	B	E (Max)	G	H (Max)	125# ANSI			250# ANSI			R	VFD	Rv	Zv	W	Hv	Xv
						J	N	P	J	N	P							
143JP	8 (203)	16 (406)	11-5/8 (295)	4-3/8 (111)	23-3/4 (603)	3-7/8 (98)	4	5/8 (16)	4-1/2 (114)	4	7/8 (22)	9-3/4 (248)	A5	11-25/32 (299)	11-21/64 (288)	9-1/2 (241)	30-25/64 (772)	3-21/64 (84)
145JP	8 (203)	16 (406)	12-5/8 (321)	4-3/8 (111)	24-3/4 (629)	3-7/8 (98)	4	5/8 (16)	4-1/2 (114)	4	7/8 (22)	9-3/4 (248)	A5	11-25/32 (299)	11-21/64 (288)	9-1/2 (241)	31-25/64 (797)	3-21/64 (84)
182JP	8 (203)	16 (406)	15-5/16 (389)	4-3/8 (111)	27-1/2 (698)	3-7/8 (98)	4	5/8 (16)	4-1/2 (114)	4	7/8 (22)	11-3/4 (298)	A5	12-25/32 (324)	12-1/32 (306)	9-1/2 (241)	30-21/32 (779)	4-1/32 (102)
184JP	8 (203)	16 (406)	15-5/16 (389)	4-3/8 (111)	27-1/2 (698)	3-7/8 (98)	4	5/8 (16)	4-1/2 (114)	4	7/8 (22)	11-3/4 (298)	A5	12-25/32 (324)	12-1/32 (306)	9-1/2 (241)	30-21/32 (779)	4-1/32 (102)
													B1	15-5/64 (383)	13-11/16 (348)	9-1/2 (241)	31-23/32 (805)	5-11/16 (144)

Xylem Inc.
8200 N. Austin Avenue
Morton Grove, IL 60053
Phone: (847)966-3700
Fax: (847)965-8379
www.bellgossett.com



Bell & Gossett is a trademark of Xylem Inc. or one of its subsidiaries.
© 2013 Xylem Inc.