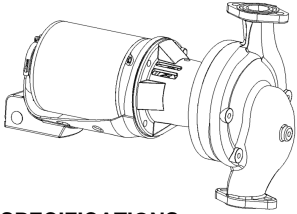


JOB: UNIT TAG: ENGINEER: CONTRACTOR:	REPRESENTATIVE: ORDER NO. SUBMITTED BY: APPROVED BY:	DATE: DATE: DATE:
---	---	--



1½x1½x6¼

Series 60®

Maintenance Free In-Line Mounted Pump

SPECIFICATIONS

FLOW _____ HEAD _____

HP _____ RPM _____

VOLTS _____

CYCLE _____ PHASE _____

ENCLOSURE _____

APPROX. WEIGHT _____

SPECIALS _____

MATERIALS OF CONSTRUCTION

- BRONZE FITTED ALL BRONZE

FEATURES

- MAINTENANCE FREE PUMP
- INTERNALLY SELF-FLUSHING MECHANICAL SEAL
- XLII® LUBRICATION SYSTEM
- THREE YEAR WARRANTY
- FACTORY TEST

WORKING PRESSURE

- 175 psi (12 bar) W.P.

TYPE OF SEAL

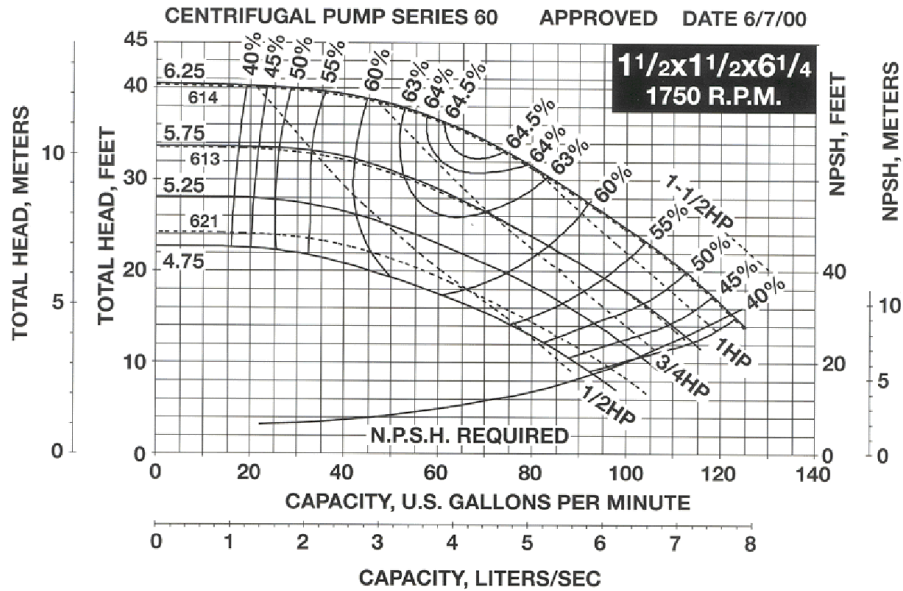
- BUNA/CARBON-CERAMIC (STANDARD)
(-20 °F TO 225 °F)

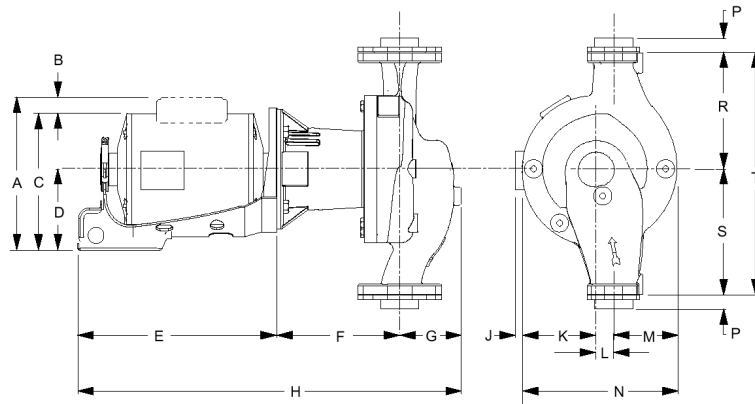
TYPE OF SEAL

- EPT/TUNGSTEN-CARBIDE
(-20 °F TO 250 °F)

TYPE OF SEAL

- VITON/CARBON-CERAMIC
(0 °F TO 225 °F)





SUCTION AND DISCHARGE SIZE INCHES NPT	PUMP DIMENSIONS IN INCHES (MM)									
	F	G	K	L	M	N	P	R	S	T
1-1/2	6-11/16 (170)	3-3/8 (86)	4-1/16 (103)	1 (25)	3-9/16 (90)	8-9/16 (217)	3/4 (19)	6-1/2 (165)	7 (178)	13-1/2 (343)

MAXIMUM WORKING PRESSURE 175PSI (12 BAR)

ALL MOTORS 1750 RPM

DIMENSIONS – Inches (mm)

MOTOR HP		MOTOR DIMENSIONS - INCHES (MM)					
HP	PHASE	A	B	C	D	E	H
1/2	1	10-1/8 (257)	2-1/4 (57)	7-7/8 (200)	4-3/8 (111)	11 (279)	21-5/16 (541)
1/2	3	7-7/8 (200)	-	7-7/8 (200)	4-3/8 (111)	11 (279)	21-5/16 (541)
3/4	1	10-1/8 (257)	2-1/4 (57)	7-7/8 (200)	4-3/8 (111)	11 (279)	21-5/16 (541)
3/4	3	7-7/8 (200)	-	7-7/8 (200)	4-3/8 (111)	11 (279)	21-5/16 (541)
1	1	10-1/8 (257)	2-1/4 (57)	7-7/8 (200)	4-3/4 (121)	9-3/4 (248)	21-7/16 (545)
1	3	7-7/8 (200)	-	7-7/8 (200)	4-3/8 (111)	11 (279)	21-5/16 (541)
1-1/2	1	8-3/4 (222)	2-1/4 (57)	6-1/2 (165)	3-1/4 (83)	10-3/4 (273)	21-3/8 (543)
1-1/2	3	6-1/2 (165)	-	6-1/2 (165)	3-1/4 (83)	10-3/4 (273)	21-3/8 (797)

Dimensions are subject to change. Not to be used for construction purposes unless certified.
Includes Companion Flanges.

Xylem Inc.
8200 N. Austin Avenue
Morton Grove, IL 60053
Phone: (847)966-3700
Fax: (847)965-8379
www.bellgossett.com

