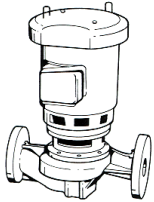


JOB: UNIT TAG: ENGINEER: CONTRACTOR:	REPRESENTATIVE: ORDER NO. SUBMITTED BY: APPROVED BY:	DATE: DATE: DATE:
---	---	--



1½ x 1½ x 9½

Series 80®

In-Line Mounted Centrifugal Pumps

SPECIFICATIONS

FLOW _____ HEAD _____

HP _____ RPM _____

VOLTS _____

CYCLE _____ PHASE _____

ENCLOSURE _____

APPROX. WEIGHT _____

SPECIALS _____

MATERIALS OF CONSTRUCTION

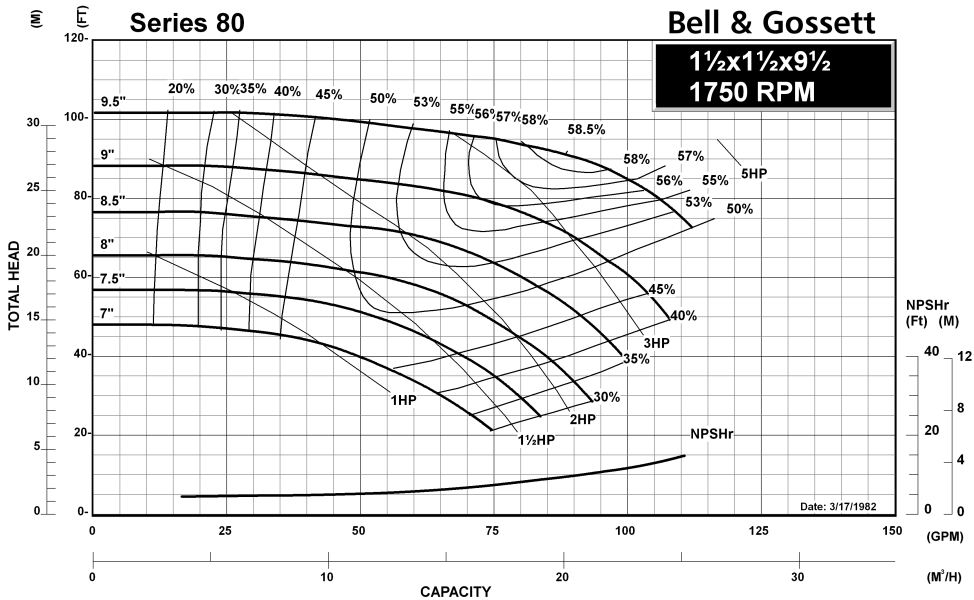
- BRONZE FITTED ALL IRON

MAXIMUM WORKING PRESSURE

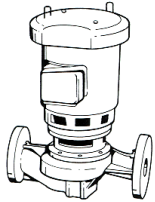
- 175 psi (12 bar) W.P. with 125# ANSI flange drilling
- 250 psi (17 bar) W.P. with 250# ANSI flange drilling (requires 80-S)
- 300 psi (21 bar) W.P. with 250# ANSI flange drilling (EPR-Sintered Silicon Carbide-Sintered Silicon Carbide) Requires 80-S

TYPE OF SEAL

- 80 Standard Seal (Buna-Carbon/Ceramic)
- 80 -F Standard Seal w/ Flush Line (Buna-Carbon/Ceramic)
- 80 -S Stuffing Box construction w/ Flushed Mechanical Single Seal (EPR-Tungsten Carbide/Carbon)
- 80 -D Stuffing Box construction w/ Flushed Double Mechanical Seal (EPR-Carbon/Ceramic) Requires external water source
- 80 -PF Stuffing Box Construction w/ Flushed Packing (Graphite Impregnated PTFE)



JOB: UNIT TAG: ENGINEER: CONTRACTOR:	REPRESENTATIVE: ORDER NO.: SUBMITTED BY: APPROVED BY:	DATE: DATE: DATE:
---	--	--



1½ x 1½ x 9½

Series 80®

In-Line Mounted Centrifugal Pumps

SPECIFICATIONS

FLOW _____ HEAD _____

HP _____ RPM _____

VOLTS _____

CYCLE _____ PHASE _____

ENCLOSURE _____

APPROX. WEIGHT _____

SPECIALS _____

MATERIALS OF CONSTRUCTION

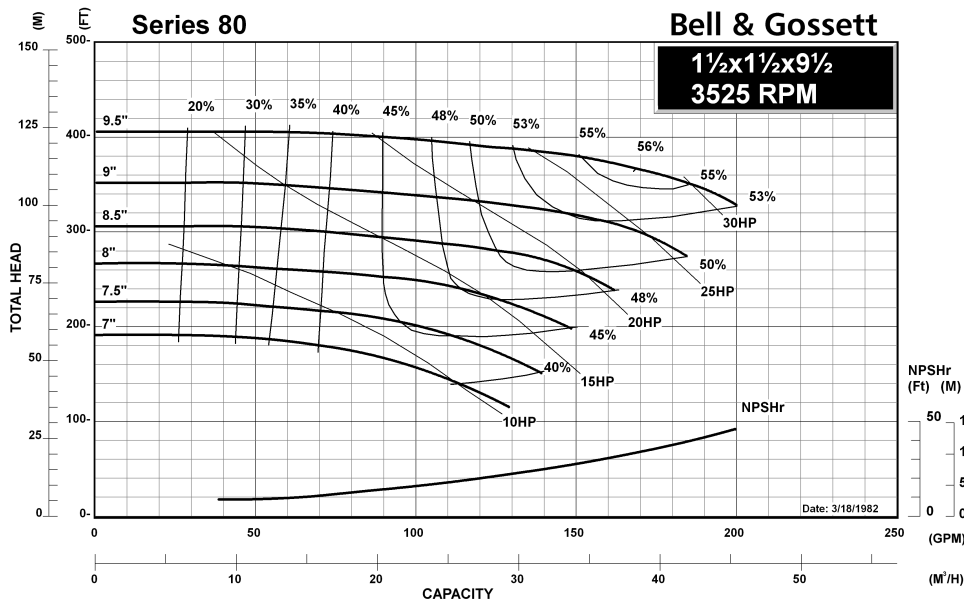
- BRONZE FITTED ALL IRON

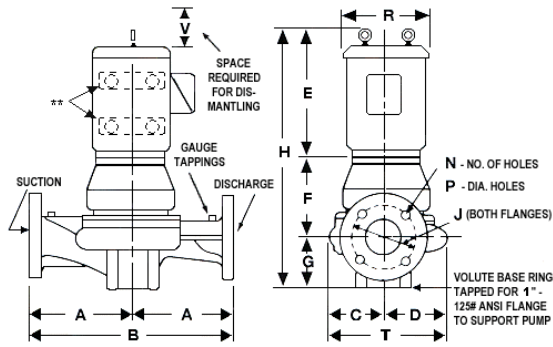
MAXIMUM WORKING PRESSURE

- 175 psi (12 bar) W.P. with 125# ANSI flange drilling
- 250 psi (17 bar) W.P. with 250# ANSI flange drilling (requires 80-S)
- 300 psi (21 bar) W.P. with 250# ANSI flange drilling (EPR-Sintered Silicon Carbide-Sintered Silicon Carbide) Requires 80-S

TYPE OF SEAL

- 80 Standard Seal (Buna-Carbon/Ceramic)
- 80 -F Standard Seal w/ Flush Line (Buna-Carbon/Ceramic)
- 80 -S Stuffing Box construction w/ Flushed Mechanical Single Seal (EPR-Tungsten Carbide/Carbon)
- 80 -D Stuffing Box construction w/ Flushed Double Mechanical Seal (EPR-Carbon/Ceramic) Requires external water source
- 80 -PF Stuffing Box Construction w/ Flushed Packing (Graphite Impregnated PTFE)





FLANGE DIMENSIONS IN INCHES (MM)			
	SIZE	THICKNESS	O.D.
Discharge	1-1/2"	13/16 (21)	6 (187)
Suction	1-1/2"	13/16 (21)	6 (152)

** Motor may be supplied with feet

DIMENSIONS - Inches (mm)

STANDARD SEAL 80, 80-F

MOTOR FRAME	A	B	C	D	E (Max)	F	G	H (Max)	125# ANSI			250# ANSI			R	S (Max)*	T	V (Min)
									J	N	P	J	N	P				
143	9-1/2 (241)	19 (483)	5-7/8 (149)	6-1/4 (159)	11-5/8 (295)	4-11/16 (119)	4-1/2 (114)	20-7/8 (530)	3-7/8 (98)	4	5/8 (16)	4-1/2 (114)	4	7/8 (22)	9-3/4 (248)	1-1/2 (38)	12-1/8 (308)	4 (102)
145	9-1/2 (241)	19 (483)	5-7/8 (149)	6-1/4 (159)	12-5/8 (321)	4-11/16 (119)	4-1/2 (114)	21-7/8 (556)	3-7/8 (98)	4	5/8 (16)	4-1/2 (114)	4	7/8 (22)	9-3/4 (248)	1-1/2 (38)	12-1/8 (308)	4 (102)
182	9-1/2 (241)	19 (483)	5-7/8 (149)	6-1/4 (159)	15-5/16 (389)	4-11/16 (119)	4-1/2 (114)	24-1/2 (622)	3-7/8 (98)	4	5/8 (16)	4-1/2 (114)	4	7/8 (22)	11-3/4 (298)	1 (25)	12-1/8 (308)	4 (102)
184	9-1/2 (241)	19 (483)	5-7/8 (149)	6-1/4 (159)	15-5/16 (389)	4-11/16 (119)	4-1/2 (114)	24-1/2 (622)	3-7/8 (98)	4	5/8 (16)	4-1/2 (114)	4	7/8 (22)	11-3/4 (298)	1 (25)	12-1/8 (308)	4 (102)
213	9-1/2 (241)	19 (483)	5-7/8 (149)	6-1/4 (159)	19-1/4 (489)	4-11/16 (119)	4-1/2 (114)	28-1/2 (724)	3-7/8 (98)	4	5/8 (16)	4-1/2 (114)	4	7/8 (22)	14 (356)	-	12-1/8 (308)	4 (102)
215	9-1/2 (241)	19 (483)	5-7/8 (149)	6-1/4 (159)	19-1/4 (489)	4-11/16 (119)	4-1/2 (114)	28-1/2 (724)	3-7/8 (98)	4	5/8 (16)	4-1/2 (114)	4	7/8 (22)	14 (356)	-	12-1/8 (308)	4 (102)
254	9-1/2 (241)	19 (483)	5-7/8 (149)	6-1/4 (159)	24-1/8 (613)	8-9/16 (217)	4-1/2 (114)	37-1/4 (946)	3-7/8 (98)	4	5/8 (16)	4-1/2 (114)	4	7/8 (22)	17 (432)	-	12-1/8 (308)	4 (102)
256	9-1/2 (241)	19 (483)	5-7/8 (149)	6-1/4 (159)	24-1/8 (613)	8-9/16 (217)	4-1/2 (114)	37-1/4 (946)	3-7/8 (98)	4	5/8 (16)	4-1/2 (114)	4	7/8 (22)	17 (432)	-	12-1/8 (308)	4 (102)
284	9-1/2 (241)	19 (483)	5-7/8 (149)	6-1/4 (159)	23-5/8 (600)	8-9/16 (217)	4-1/2 (114)	36-3/4 (933)	3-7/8 (98)	4	5/8 (16)	4-1/2 (114)	4	7/8 (22)	16-1/8 (410)	4-5/8 (117)	12-1/8 (308)	4 (102)
286	9-1/2 (241)	19 (483)	5-7/8 (149)	6-1/4 (159)	25-1/8 (638)	8-9/16 (217)	4-1/2 (114)	38-1/4 (972)	3-7/8 (98)	4	5/8 (16)	4-1/2 (114)	4	7/8 (22)	16-1/8 (410)	4-5/8 (117)	12-1/8 (308)	4 (102)

STUFFING BOX 80-PF, 80-S, 80-D

MOTOR FRAME	A	B	C	D	E (Max)	F	G	H (Max)	125# ANSI			250# ANSI			R	S (Max)*	T	V (Min)
									J	N	P	J	N	P				
143	9-1/2 (241)	19 (483)	5-7/8 (149)	6-1/4 (159)	11-5/8 (295)	7-13/16 (198)	4-1/2 (114)	24 (610)	3-7/8 (98)	4	5/8 (16)	4-1/2 (114)	4	7/8 (22)	9-3/4 (248)	1-1/2 (38)	12-1/8 (308)	4 (102)
145	9-1/2 (241)	19 (483)	5-7/8 (149)	6-1/4 (159)	12-5/8 (321)	7-11/16 (195)	4-1/2 (114)	25 (635)	3-7/8 (98)	4	5/8 (16)	4-1/2 (114)	4	7/8 (22)	9-3/4 (248)	1-1/2 (38)	12-1/8 (308)	4 (102)
182	9-1/2 (241)	19 (483)	5-7/8 (149)	6-1/4 (159)	15-5/16 (389)	7-13/16 (198)	4-1/2 (114)	27-5/8 (702)	3-7/8 (98)	4	5/8 (16)	4-1/2 (114)	4	7/8 (22)	11-3/4 (298)	1 (25)	12-1/8 (308)	4 (102)
184	9-1/2 (241)	19 (483)	5-7/8 (149)	6-1/4 (159)	15-5/16 (389)	7-13/16 (198)	4-1/2 (114)	27-5/8 (702)	3-7/8 (98)	4	5/8 (16)	4-1/2 (114)	4	7/8 (22)	11-3/4 (298)	1 (25)	12-1/8 (308)	4 (102)
213	9-1/2 (241)	19 (483)	5-7/8 (149)	6-1/4 (159)	19-1/4 (489)	8-9/16 (217)	4-1/2 (114)	32-3/8 (822)	3-7/8 (98)	4	5/8 (16)	4-1/2 (114)	4	7/8 (22)	14 (356)	-	12-1/8 (308)	4 (102)
215	9-1/2 (241)	19 (483)	5-7/8 (149)	6-1/4 (159)	19-1/4 (489)	8-9/16 (217)	4-1/2 (114)	32-3/8 (822)	3-7/8 (98)	4	5/8 (16)	4-1/2 (114)	4	7/8 (22)	14 (356)	-	12-1/8 (308)	4 (102)
254	9-1/2 (241)	19 (483)	5-7/8 (149)	6-1/4 (159)	24-1/8 (613)	8-9/16 (217)	4-1/2 (114)	37-1/4 (946)	3-7/8 (98)	4	5/8 (16)	4-1/2 (114)	4	7/8 (22)	17 (432)	-	12-1/8 (308)	4 (102)
256	9-1/2 (241)	19 (483)	5-7/8 (149)	6-1/4 (159)	24-1/8 (613)	8-9/16 (217)	4-1/2 (114)	37-1/4 (946)	3-7/8 (98)	4	5/8 (16)	4-1/2 (114)	4	7/8 (22)	17 (432)	-	12-1/8 (308)	4 (102)
284	9-1/2 (241)	19 (483)	5-7/8 (149)	6-1/4 (159)	23-5/8 (600)	8-9/16 (217)	4-1/2 (114)	36-3/4 (933)	3-7/8 (98)	4	5/8 (16)	4-1/2 (114)	4	7/8 (22)	16-1/8 (410)	4-5/8 (117)	12-1/8 (308)	4 (102)
286	9-1/2 (241)	19 (483)	5-7/8 (149)	6-1/4 (159)	25-1/8 (638)	8-9/16 (217)	4-1/2 (114)	38-1/8 (968)	3-7/8 (98)	4	5/8 (16)	4-1/2 (114)	4	7/8 (22)	16-1/8 (410)	4-5/8 (117)	12-1/8 (308)	4 (102)

Dimensions are subject to change. Not to be used for construction purposes unless certified.

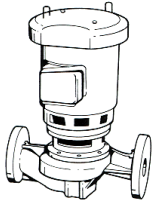
NOTE: For 1 phase Motors add 1" to dimensions E & H.

*For TEFC Motors add S dimension to dimensions E & H.

Xylem Inc.
8200 N. Austin Avenue
Morton Grove, IL 60053
Phone: (847)966-3700
Fax: (847)965-8379
www.bellgossett.com



JOB: UNIT TAG: ENGINEER: CONTRACTOR:	REPRESENTATIVE: ORDER NO.: SUBMITTED BY: APPROVED BY:	DATE: DATE: DATE:
---	--	--



1 1/2 x 1 1/2 x 9 1/2

Series 80[®]

In-Line Mounted Centrifugal Pumps

SPECIFICATIONS

FLOW _____ HEAD _____

HP _____ RPM _____

VOLTS _____

CYCLE _____ PHASE _____

ENCLOSURE _____

APPROX. WEIGHT _____

SPECIALS _____

MATERIALS OF CONSTRUCTION

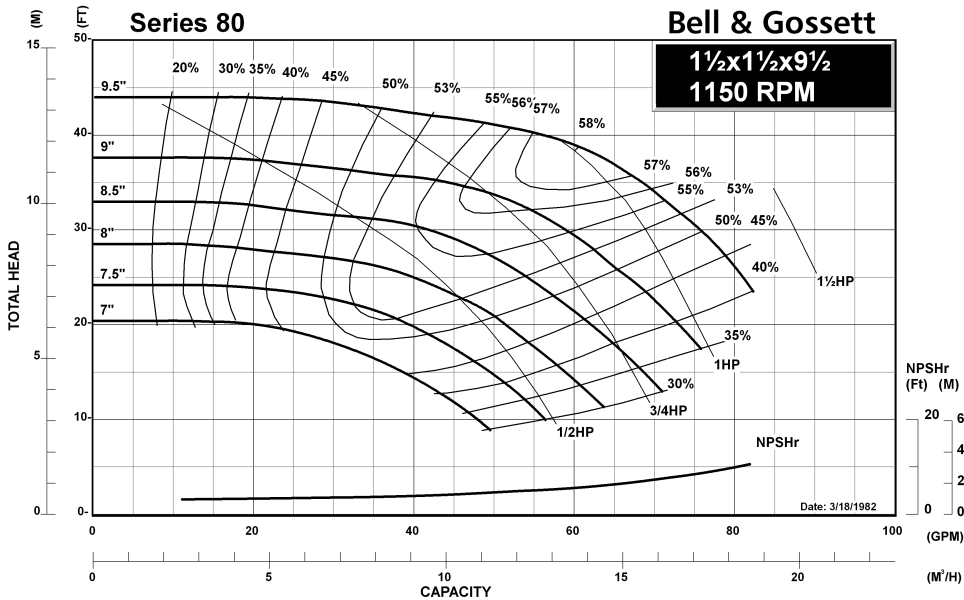
- BRONZE FITTED ALL IRON

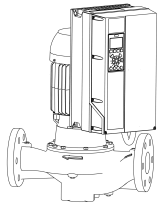
MAXIMUM WORKING PRESSURE

- 175 psi (12 bar) W.P. with 125# ANSI flange drilling
- 250 psi (17 bar) W.P. with 250# ANSI flange drilling (requires 80-S)
- 300 psi (21 bar) W.P. with 250# ANSI flange drilling (EPR-Sintered Silicon Carbide-Sintered Silicon Carbide) Requires 80-S

TYPE OF SEAL

- 80 Standard Seal (Buna-Carbon/Ceramic)
- 80 -F Standard Seal w/ Flush Line (Buna-Carbon/Ceramic)
- 80 -S Stuffing Box construction w/ Flushed Mechanical Single Seal (EPR-Tungsten Carbide/Carbon)
- 80 -D Stuffing Box construction w/ Flushed Double Mechanical Seal (EPR-Carbon/Ceramic) Requires external water source
- 80 -PF Stuffing Box Construction w/ Flushed Packing (Graphite Impregnated PTFE)

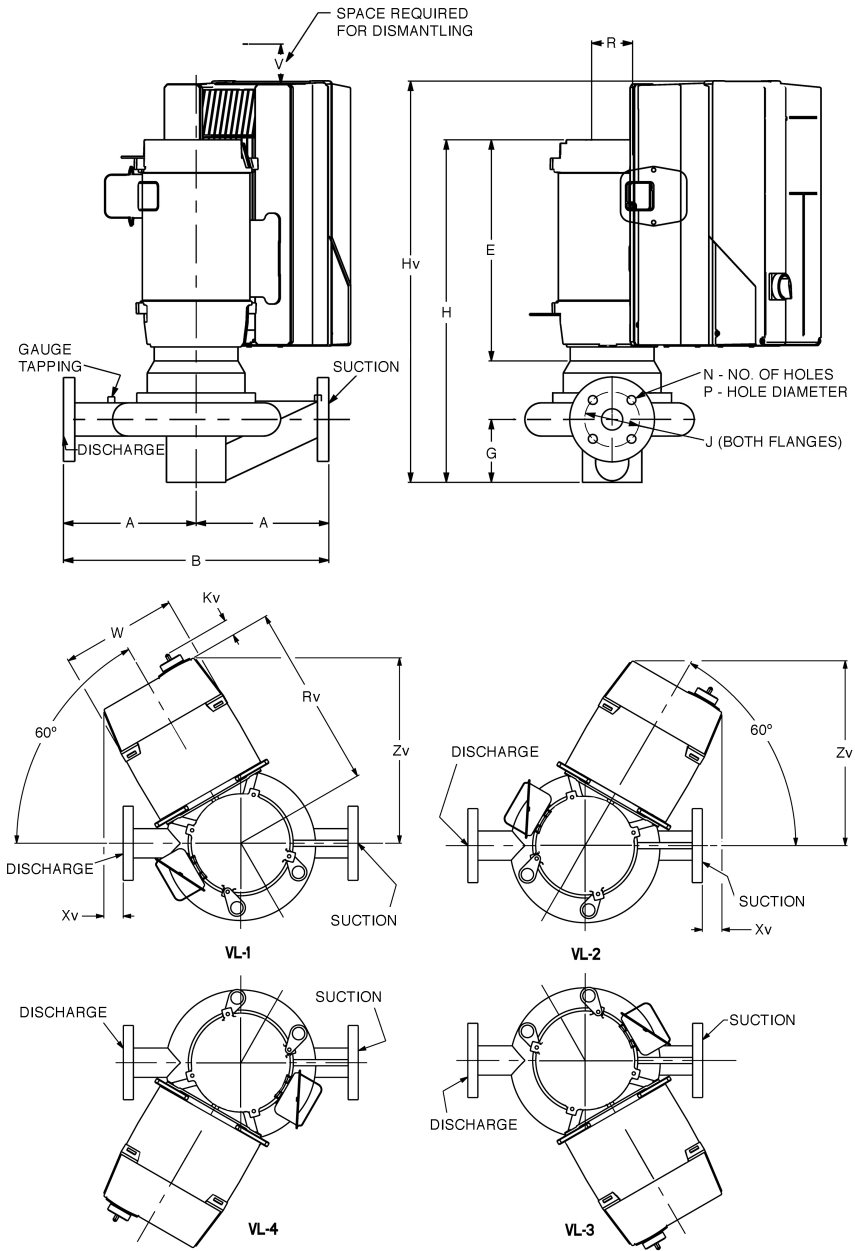




1½x1½x9½ Series 80®

**In-Line Mounted Centrifugal Pumps
With Optional Integrated Technologic® featuring Sensorless Control**

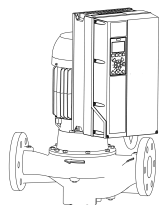
TECHNOLOGIC STANDARD FEATURES	
CONTROL METHOD	Constant Pressure, Linear Control Curve, Quadratic Control Curve Factory configured for sensorless operation standard. Field configurable for use with a wired transducer.
ENCLOSURE	IP55 / NEMA 12 / UL type 12
POWER DISCONNECT SWITCH	Included standard. Fused Disconnect Switch optional.
EMI/RFI CONTROL	Integrated filter to meet EN62800-3.
HARMONIC SUPPRESSION	Integrated non-saturating dual DC link reactors provide better harmonic performance than a 5% AC line reactor.
COOLING	Fan-cooled through temperature controlled and easy replacement.
AMBIENT TEMPERATURE RATING	14°F to 113°F (-10°C to 45°C)
COMMUNICATION PROTOCOLS	BACnet, Modbus RTU, N2 Metasys, FLN Apogee
ANALOG INPUTS	2 configurable for either voltage (0 to 10VDC) or current (0/4 to 20mA)
ANALOG OUTPUTS	1 (0/4 to 20mA) up to 500 ohm load accurate to 1% of full scale
DIGITAL INPUTS	4 (0 to 24VDC), NPN or PNP, 0 to 24VDC, on 5 msec scan interval, Up to 2 can be configured as pulse inputs.
DIGITAL OUTPUTS	2 (0 to 24VDC), 40mA max current, configurable as pulse outputs.
RELAY OUTPUTS	2 programmable, 240VAC or 400VAC up to 2 A



Xylem Inc.
8200 N. Austin Avenue
Morton Grove, IL 60053
Phone: (847)966-3700
Fax: (847)965-8379
www.bellgossett.com

xylem
Let's Solve Water

Bell & Gossett is a trademark of Xylem Inc. or one of its subsidiaries.
© 2013 Xylem Inc.



1 1/2 x 1 1/2 x 9 1/2 Series 80[®]

In-Line Mounted Centrifugal Pumps
With Optional Integrated Technologic[®] featuring Sensorless Control

DIMENSIONS – Inches (mm)

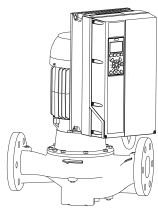
STANDARD SEAL 80, 80-F

MOTOR FRAME	A	B	E (Max)	G	H (Max)	125# ANSI			250# ANSI			R	VFD	Rv	Zv	W	Hv	Xv
						J	N	P	J	N	P							
143	9-1/2 (241)	19 (483)	11-5/8 (295)	4-1/2 (114)	20-7/8 (530)	3-7/8 (98)	4	5/8 (16)	4-1/2 (114)	4	7/8 (22)	9-3/4 (248)	A5	11-25/32 (299)	12-5/16 (313)	9-1/2 (241)	27-33/64 (699)	1/16 (2)
145	9-1/2 (241)	19 (483)	12-5/8 (321)	4-1/2 (114)	21-7/8 (556)	3-7/8 (98)	4	5/8 (16)	4-1/2 (114)	4	7/8 (22)	9-3/4 (248)	A5	11-25/32 (299)	12-5/16 (313)	9-1/2 (241)	28-33/64 (724)	1/16 (2)
182	9-1/2 (241)	19 (483)	15-5/16 (389)	4-1/2 (114)	24-1/2 (622)	3-7/8 (98)	4	5/8 (16)	4-1/2 (114)	4	7/8 (22)	11-3/4 (298)	A5	12-25/32 (324)	13-3/16 (335)	9-1/2 (241)	27-21/32 (702)	9/16 (14)
184	9-1/2 (241)	19 (483)	15-5/16 (389)	4-1/2 (114)	24-1/2 (622)	3-7/8 (98)	4	5/8 (16)	4-1/2 (114)	4	7/8 (22)	11-3/4 (298)	A5	12-25/32 (324)	13-3/16 (335)	9-1/2 (241)	27-21/32 (702)	9/16 (14)
213	9-1/2 (241)	19 (483)	19-1/4 (489)	4-1/2 (114)	28-1/2 (724)	3-7/8 (98)	4	5/8 (16)	4-1/2 (114)	4	7/8 (22)	14 (356)	A5	13-17/32 (344)	13-53/64 (351)	9-1/2 (241)	31-5/64 (790)	15/16 (24)
													B1	15-53/64 (402)	15-27/32 (402)	9-1/2 (241)	32-43/64 (830)	2-1/8 (54)
215	9-1/2 (241)	19 (483)	19-1/4 (489)	4-1/2 (114)	28-1/2 (724)	3-7/8 (98)	4	5/8 (16)	4-1/2 (114)	4	7/8 (22)	14 (356)	B1	15-53/64 (402)	15-27/32 (402)	9-1/2 (241)	31-9/64 (791)	2-1/8 (54)
254	9-1/2 (241)	19 (483)	24-1/8 (613)	4-1/2 (114)	37-1/4 (946)	3-7/8 (98)	4	5/8 (16)	4-1/2 (114)	4	7/8 (22)	17 (432)	B1	16-53/64 (427)	16-45/64 (424)	9-1/2 (241)	40-1/4 (1022)	2-5/8 (66)
													B2	16-53/64 (427)	16-45/64 (424)	9-1/2 (241)	44-45/64 (1135)	2-5/8 (66)
256	9-1/2 (241)	19 (483)	24-1/8 (613)	4-1/2 (114)	37-1/4 (946)	3-7/8 (98)	4	5/8 (16)	4-1/2 (114)	4	7/8 (22)	17 (432)	B1	16-53/64 (427)	16-45/64 (424)	9-1/2 (241)	39-5/8 (1006)	2-5/8 (66)
													B2	16-53/64 (427)	16-45/64 (424)	9-1/2 (241)	44-5/64 (1120)	2-5/8 (66)
													C1	18-53/64 (478)	18-31/32 (482)	12-3/32 (307)	44-31/32 (1142)	4-17/32 (115)
284	9-1/2 (241)	19 (483)	23-5/8 (600)	4-1/2 (114)	36-3/4 (933)	3-7/8 (98)	4	5/8 (16)	4-1/2 (114)	4	7/8 (22)	16-1/8 (410)	B1	17-37/64 (446)	17-23/64 (441)	9-1/2 (241)	39 (991)	3 (76)
													B2	17-37/64 (446)	17-23/64 (441)	9-1/2 (241)	43-29/64 (1104)	3 (76)
													C1	19-37/64 (497)	19-5/8 (498)	12-3/32 (307)	45-55/64 (1165)	4-29/32 (125)
286	9-1/2 (241)	19 (483)	25-1/8 (638)	4-1/2 (114)	38-1/4 (972)	3-7/8 (98)	4 (102)	5/8 (16)	4-1/2 (114)	4 (102)	7/8 (22)	16-1/8 (410)	B2	17-37/64 (446)	17-23/64 (441)	9-1/2 (241)	44-61/64 (1142)	3 (76)
													C1	19-37/64 (497)	19-5/8 (498)	12-3/32 (307)	47-23/64 (1203)	4-29/32 (125)

Xylem Inc.
8200 N. Austin Avenue
Morton Grove, IL 60053
Phone: (847)966-3700
Fax: (847)965-8379
www.bellgossett.com

xylem
Let's Solve Water

Bell & Gossett is a trademark of Xylem Inc. or one of its subsidiaries.
© 2013 Xylem Inc.



1 1/2 X 1 1/2 X 9 1/2 Series 80®

In-Line Mounted Centrifugal Pumps
With Optional Integrated Technologic® featuring Sensorless Control

STUFFING BOX 80-PF, 80-S, 80-D

MOTOR FRAME	A	B	E (Max)	G	H (Max)	125# ANSI			250# ANSI			R	VFD	Rv	Zv	W	Hv	Xv
						J	N	P	J	N	P							
143	9-1/2 (241)	19 (483)	11-5/8 (295)	4-1/2 (114)	24 (610)	3-7/8 (98)	4	5/8 (16)	4-1/2 (114)	4	7/8 (22)	9-3/4 (248)	A5	11-25/32 (299)	12-5/16 (313)	9-1/2 (241)	30-41/64 (778)	1/16 (2)
145	9-1/2 (241)	19 (483)	12-5/8 (321)	4-1/2 (114)	25 (635)	3-7/8 (98)	4	5/8 (16)	4-1/2 (114)	4	7/8 (22)	9-3/4 (248)	A5	11-25/32 (299)	12-5/16 (313)	9-1/2 (241)	31-41/64 (804)	1/16 (2)
182	9-1/2 (241)	19 (483)	15-5/16 (389)	4-1/2 (114)	27-5/8 (702)	3-7/8 (98)	4	5/8 (16)	4-1/2 (114)	4	7/8 (22)	11-3/4 (298)	A5	12-25/32 (324)	13-3/16 (335)	9-1/2 (241)	30-25/32 (782)	9/16 (14)
184	9-1/2 (241)	19 (483)	15-5/16 (389)	4-1/2 (114)	27-5/8 (702)	3-7/8 (98)	4	5/8 (16)	4-1/2 (114)	4	7/8 (22)	11-3/4 (298)	A5	12-25/32 (324)	13-3/16 (335)	9-1/2 (241)	30-25/32 (782)	9/16 (14)
213	9-1/2 (241)	19 (483)	19-1/4 (489)	4-1/2 (114)	32-3/8 (822)	3-7/8 (98)	4	5/8 (16)	4-1/2 (114)	4	7/8 (22)	14 (356)	A5	13-17/32 (344)	13-53/64 (351)	9-1/2 (241)	34-61/64 (888)	15/16 (24)
													B1	15-53/64 (402)	15-27/32 (402)	9-1/2 (241)	36-35/64 (928)	2-1/8 (54)
215	9-1/2 (241)	19 (483)	19-1/4 (489)	4-1/2 (114)	32-3/8 (822)	3-7/8 (98)	4	5/8 (16)	4-1/2 (114)	4	7/8 (22)	14 (356)	B1	15-53/64 (402)	15-27/32 (402)	9-1/2 (241)	35-1/64 (890)	2-1/8 (54)
254	9-1/2 (241)	19 (483)	24-1/8 (613)	4-1/2 (114)	37-1/4 (946)	3-7/8 (98)	4	5/8 (16)	4-1/2 (114)	4	7/8 (22)	17 (432)	B1	16-53/64 (427)	16-45/64 (424)	9-1/2 (241)	40-1/4 (1022)	2-5/8 (66)
													B2	16-53/64 (427)	16-45/64 (424)	9-1/2 (241)	44-45/64 (1135)	2-5/8 (66)
256	9-1/2 (241)	19 (483)	24-1/8 (613)	4-1/2 (114)	37-1/4 (946)	3-7/8 (98)	4	5/8 (16)	4-1/2 (114)	4	7/8 (22)	17 (432)	B1	16-53/64 (427)	16-45/64 (424)	9-1/2 (241)	39-5/8 (1006)	2-5/8 (66)
													B2	16-53/64 (427)	16-45/64 (424)	9-1/2 (241)	44-5/64 (1120)	2-5/8 (66)
													C1	18-53/64 (478)	18-31/32 (482)	12-3/32 (307)	44-31/32 (1142)	4-17/32 (115)
284	9-1/2 (241)	19 (483)	23-5/8 (600)	4-1/2 (114)	36-3/4 (933)	3-7/8 (98)	4	5/8 (16)	4-1/2 (114)	4	7/8 (22)	16-1/8 (410)	B1	17-37/64 (446)	17-23/64 (441)	9-1/2 (241)	39 (991)	3 (76)
													B2	17-37/64 (446)	17-23/64 (441)	9-1/2 (241)	43-29/64 (1104)	3 (76)
													C1	19-37/64 (497)	19-5/8 (498)	12-3/32 (307)	45-55/64 (1165)	4-29/32 (125)
286	9-1/2 (241)	19 (483)	25-1/8 (638)	4-1/2 (114)	38-1/8 (968)	3-7/8 (98)	4 (102)	5/8 (16)	4-1/2 (114)	4 (102)	7/8 (22)	16-1/8 (410)	B2	17-37/64 (446)	17-23/64 (441)	9-1/2 (241)	44-53/64 (1139)	3 (76)
													C1	19-37/64 (497)	19-5/8 (498)	12-3/32 (307)	47-15/64 (1200)	4-29/32 (125)

Xylem Inc.
8200 N. Austin Avenue
Morton Grove, IL 60053
Phone: (847)966-3700
Fax: (847)965-8379
www.bellgossett.com

xylem
Let's Solve Water

Bell & Gossett is a trademark of Xylem Inc. or one of its subsidiaries.
© 2012 Xylem Inc.