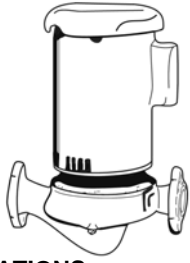


JOB: UNIT TAG: ENGINEER: CONTRACTOR:	REPRESENTATIVE: ORDER NO. SUBMITTED BY: APPROVED BY:	DATE: DATE: DATE:
---	---	--



1.5AAB

Series e-90

Centrifugal Pumps
In-Line Mounted - Close Coupled

SPECIFICATIONS

FLOW _____ HEAD _____
 HP _____ RPM _____
 VOLTS _____
 CYCLE _____ PHASE _____
 ENCLOSURE _____
 APPROX. WEIGHT _____
 SPECIALS _____

MATERIALS OF CONSTRUCTION

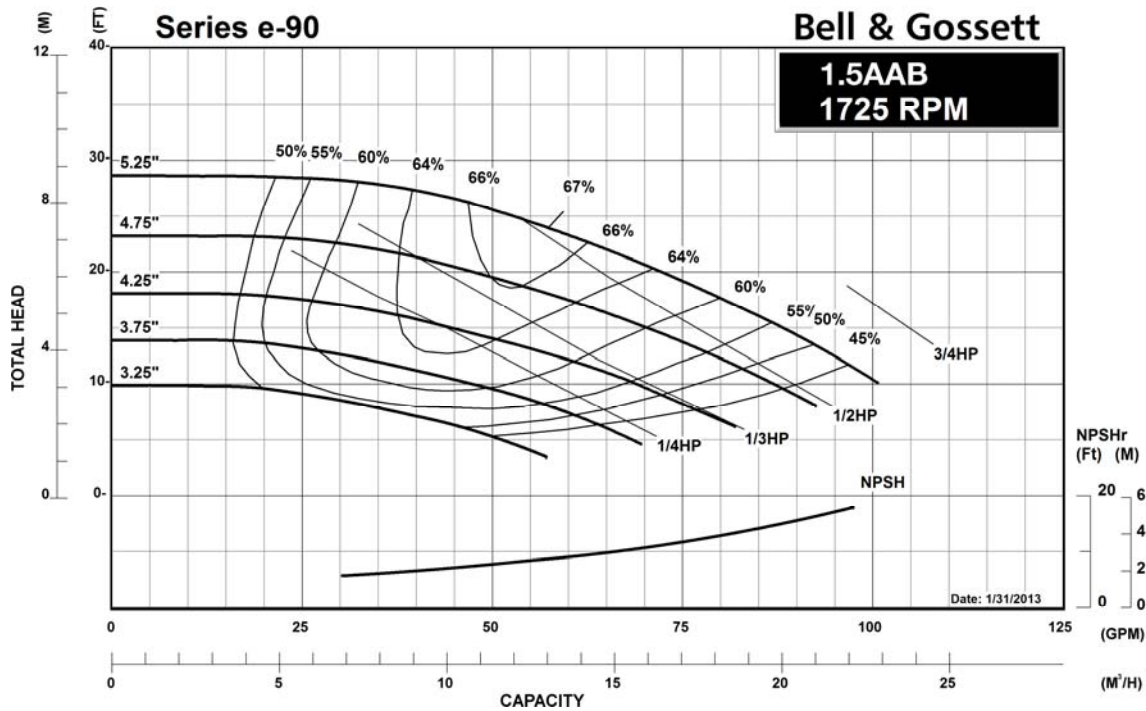
BRONZE FITTED ALL BRONZE

MAXIMUM WORKING PRESSURE

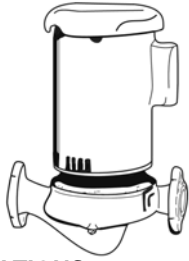
175 psi (12 bar) W.P.

TYPE OF SEAL

- Standard Seal
EPR/Carbon/Silicon Carbide
-10 to 250°F (-23 to 121°C)
- Optional Seal
Viton/Carbon/Silicon Carbide
-10 to 225°F (-23 to 107°C)
- Optional Seal
EPR/Graphite loaded Silicon Carbide on
Graphite loaded Silicon Carbide
-10 to 250°F (-23 to 121°C)



JOB:	REPRESENTATIVE:	
UNIT TAG:	ORDER NO.:	DATE:
ENGINEER:	SUBMITTED BY:	DATE:
CONTRACTOR:	APPROVED BY:	DATE:



1.5AAB

Series e-90

Centrifugal Pumps
In-Line Mounted - Close Coupled

SPECIFICATIONS

FLOW _____ HEAD _____
 HP _____ RPM _____
 VOLTS _____
 CYCLE _____ PHASE _____
 ENCLOSURE _____
 APPROX. WEIGHT _____
 SPECIALS _____

MATERIALS OF CONSTRUCTION

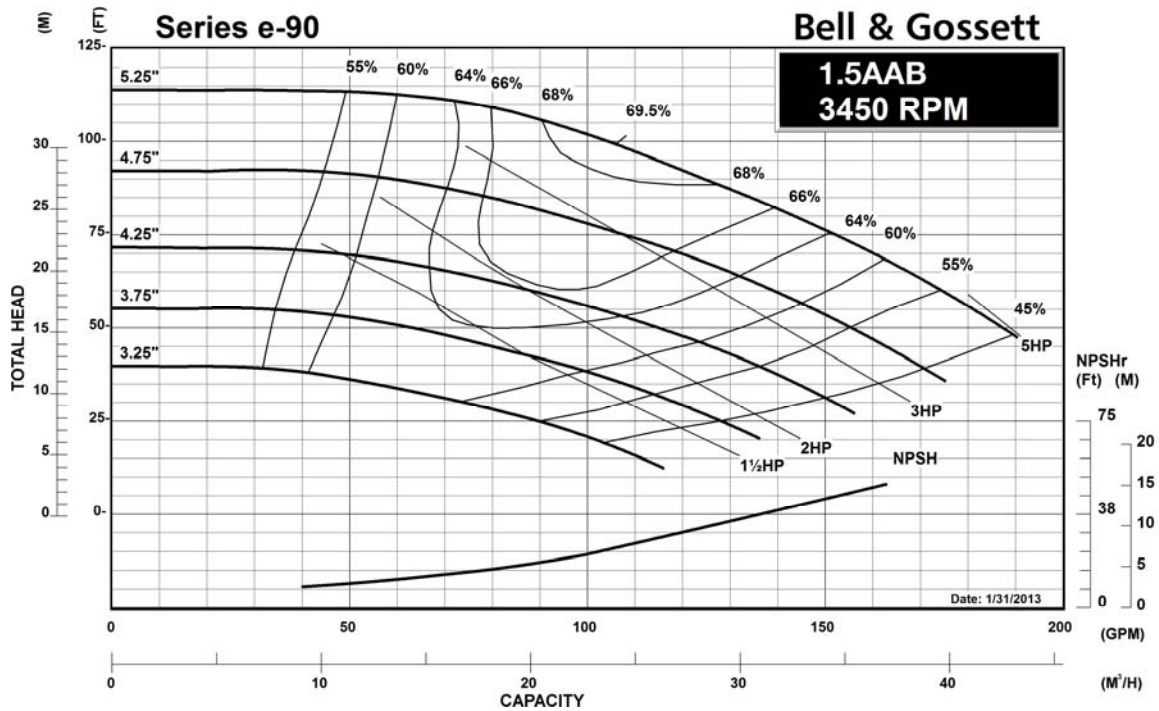
BRONZE FITTED ALL BRONZE

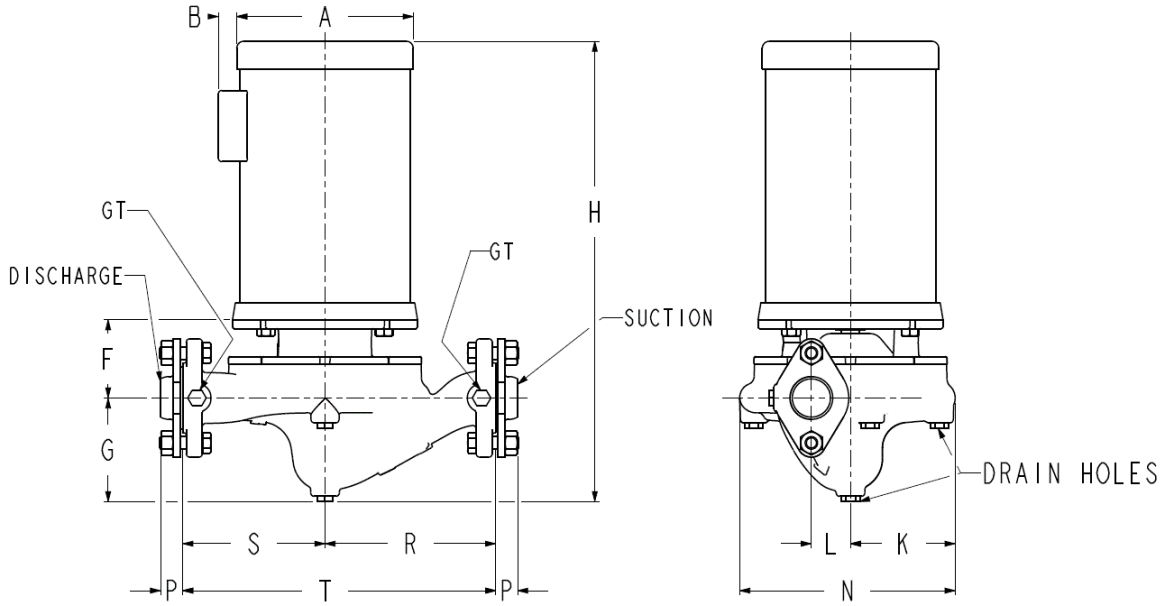
MAXIMUM WORKING PRESSURE

175 psi (12 bar) W.P.

TYPE OF SEAL

- Standard Seal
EPR/Carbon/Silicon Carbide
-10 to 250°F (-23 to 121°C)
- Optional Seal
Viton/Carbon/Silicon Carbide
-10 to 225°F (-23 to 107°C)
- Optional Seal
EPR/Graphite loaded Silicon Carbide on
Graphite loaded Silicon Carbide
-10 to 250°F (-23 to 121°C)





PUMP SIZE	SUCTION AND DISCHARGE SIZE - INCHES NPT	PUMP DIMENSIONS IN INCHES (MM)								
		F	G	K	L	N	P	R	S	T
1-1/2AAB	1-1/2 (38)	2-7/8 (73)	4 (102)	3-3/4 (95)	1-3/8 (35)	7-7/8 (200)	3/4 (19)	5 (127)	6-1/2 (165)	11-1/2 (292)

Maximum working pressure 175psi (12bar)
GT=Gauge Tap 1/8" NPT

DIMENSIONS – Inches (mm)

MOTOR HP		PHASE	A MAX.	B	H MAX.
1725	3450				
1/4	–	1	7-1/2 (190)	1-1/2 (38)	15-7/8 (403)
1/4	–	3	7-1/2 (190)	–	14-7/8 (378)
1/3	–	1	7-1/2 (190)	1-1/2 (38)	16-1/4 (413)
1/3	–	3	7-1/2 (190)	–	15-3/4 (400)
1/2	–	1	7-1/2 (190)	1-1/2 (38)	16-1/4 (413)
1/2	–	3	7-1/2 (190)	–	15-3/4 (400)
3/4	–	1	7-1/2 (190)	1-1/2 (38)	17-1/4 (438)
3/4	–	3	7-1/2 (190)	–	16-3/4 (425)
–	1-1/2	1	7-1/2 (190)	1-1/2 (38)	18 (457)
–	1-1/2	3	7-1/2 (190)	–	17-1/2 (444)
–	2	3	7-1/2 (190)	–	17-1/2 (444)
–	3	3	7-1/2 (190)	–	18-3/4 (476)
–	5	3	7-1/2 (190)	–	21-13/16 (651)

Dimensions are subject to change. Not to be used for construction purposes unless certified.
Companion Flanges furnished for Suction and Discharge.
Motor may be supplied with feet.

Xylem Inc.
8200 N. Austin Avenue
Morton Grove, IL 60053
Phone: (847)966-3700
Fax: (847)965-8379
www.bellgossett.com

