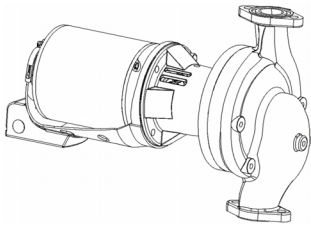


JOB: _____ UNIT TAG: _____ ENGINEER: _____ CONTRACTOR: _____	REPRESENTATIVE: _____ ORDER NO. _____ SUBMITTED BY: _____ APPROVED BY: _____ DATE: _____ DATE: _____ DATE: _____
---	--



1 1/4 x 1 1/4 x 5 1/4 Series 60[®]

Maintenance Free In-Line Mounted Pump

SPECIFICATIONS

FLOW _____ HEAD _____
 HP _____ RPM _____
 VOLTS _____
 CYCLE _____ PHASE _____
 ENCLOSURE _____
 APPROX. WEIGHT _____
 SPECIALS _____

MATERIALS OF CONSTRUCTION

BRONZE FITTED ALL BRONZE

FEATURES

MAINTENANCE FREE PUMP
 INTERNALLY SELF-FLUSHING MECHANICAL SEAL
 XLII[®] LUBRICATION SYSTEM
 THREE YEAR WARRANTY
 FACTORY TEST

MAXIMUM WORKING PRESSURE

175 psi (12 bar) W.P.

TYPE OF SEAL

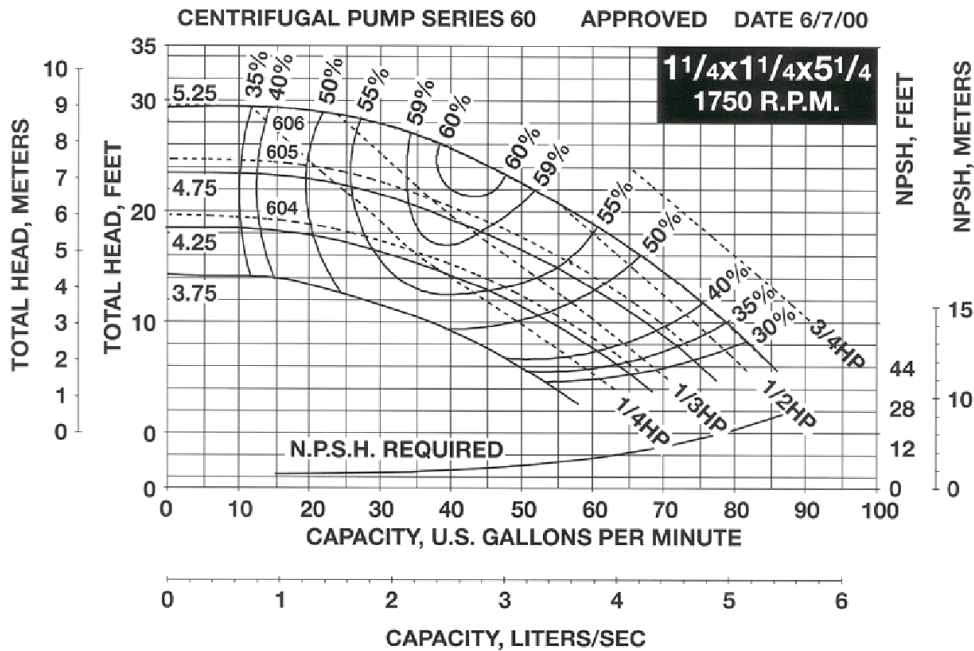
BUNA/CARBON-CERAMIC (STANDARD)
(-20 °F TO 225 °F)

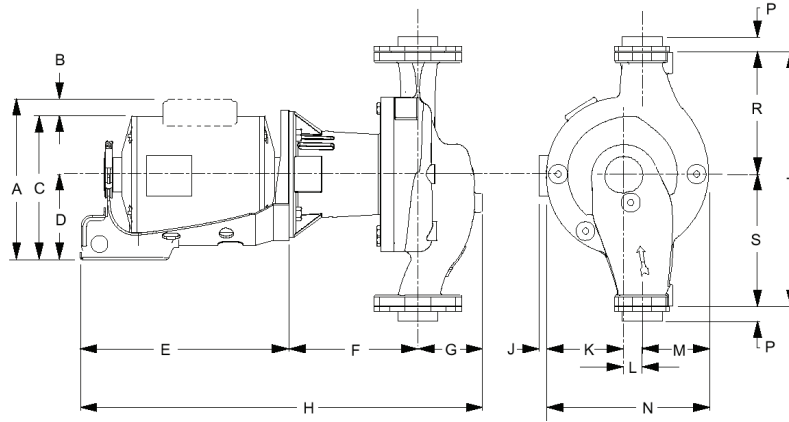
TYPE OF SEAL

EPT/TUNGSTEN-CARBIDE
(-20 °F TO 250 °F)

TYPE OF SEAL

VITON/CARBON-CERAMIC
(0 °F TO 225 °F)





SUCTION AND DISCHARGE SIZE INCHES NPT	PUMP DIMENSIONS IN INCHES (MM)									
	F	G	K	L	M	N	P	R	S	T
1-1/4	6-7/16 (164)	3-7/16 (87)	3-5/8 (92)	1-3/8 (35)	2-1/2 (64)	7-1/2 (190)	3/4 (19)	5 (127)	6 (152)	11 (279)

MAXIMUM WORKING PRESSURE 175PSI (12 BAR)

ALL MOTORS 1750 RPM

DIMENSIONS - Inches (mm)

MOTOR HP		MOTOR DIMENSIONS - INCHES (MM)					
HP	PHASE	A	B	C	D	E	H
1/4	1	10-1/8 (257)	2-1/4 (57)	7-7/8 (200)	4-3/8 (111)	10 (254)	19-7/8 (505)
1/4	3	7-7/8 (200)		7-7/8 (200)	4-3/8 (111)	10 (254)	19-7/8 (505)
1/3	1	10-1/8 (257)	2-1/4 (57)	7-7/8 (200)	4-3/8 (111)	10 (254)	19-7/8 (505)
1/3	3	7-7/8 (200)		7-7/8 (200)	4-3/8 (111)	10 (254)	19-7/8 (505)
1/2	1	10-1/8 (257)	2-1/4 (57)	7-7/8 (200)	4-3/8 (111)	11 (279)	21-1/8 (537)
1/2	3	7-7/8 (200)		7-7/8 (200)	4-3/8 (111)	11 (279)	21-1/8 (537)
3/4	1	10-1/8 (257)	2-1/4 (57)	7-7/8 (200)	4-3/8 (111)	11 (279)	21-1/8 (537)
3/4	3	7-7/8 (200)		7-7/8 (200)	4-3/8 (111)	11 (279)	21-1/8 (537)

Dimensions are subject to change. Not to be used for construction purposes unless certified.
Includes Companion Flanges.