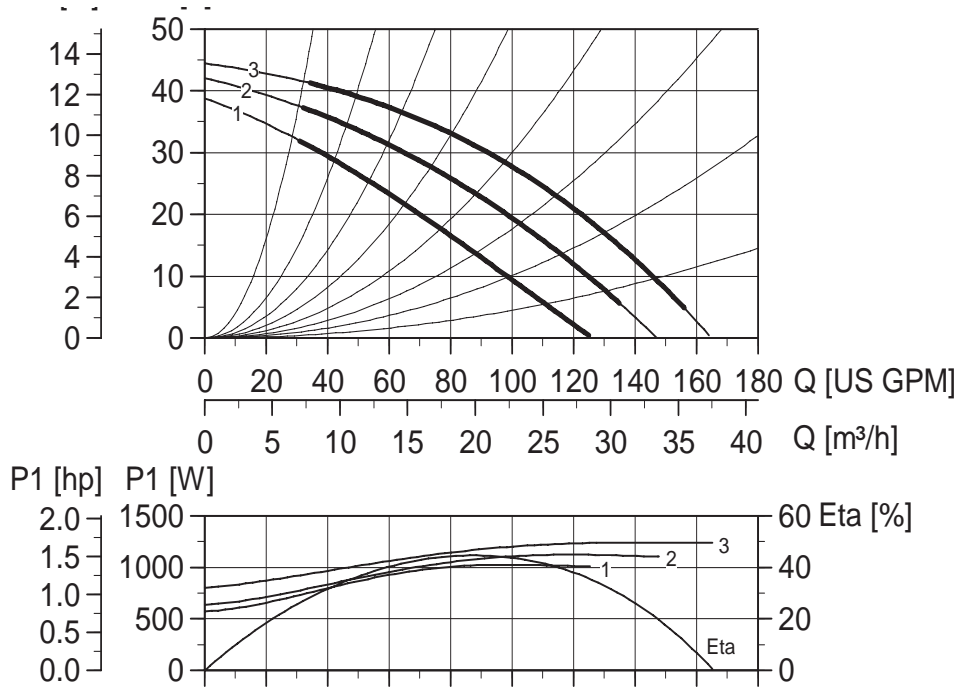


# Performance curves

UPS 75-69  
1 phase 115 V, 230 V, 60 Hz

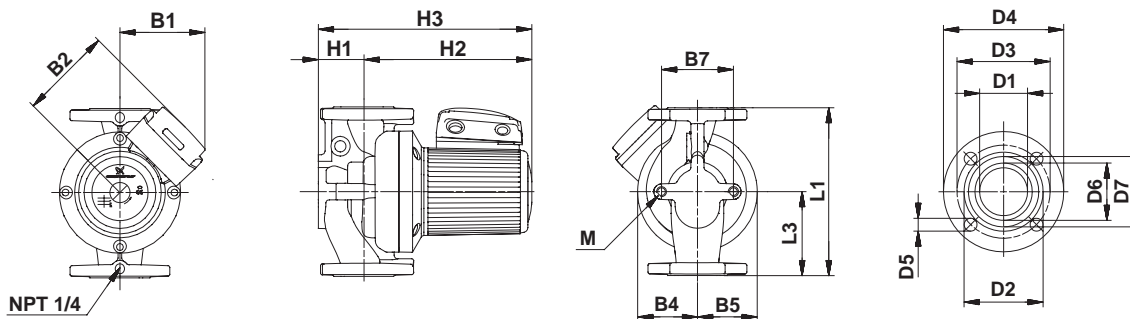
## Performance curves



Note: ETA is calculated as wire-to-water efficiency.

## Weights and volume

	Cast Iron				Bronze			
	lbs.	ft <sup>3</sup>	Kg	m <sup>3</sup>	lbs.	ft <sup>3</sup>	Kg	m <sup>3</sup>
Net weight	53.6		24.3		68.3		31	
Gross weight	65.7		29.8		80.5		36.5	
Shipping volume		3.5		0.098		3.5		0.098



## Dimensions

	L1	L3	B1	B2	B4	B5	B7	H1	H2	H3	D1	D2	D3	D4	D5	D6	D7	M
[Inches]	14 1/4	7 1/8	5 11/16	6 5/8	3 15/16	3 15/16	4 1/2	2 15/16	10 13/16	13 1/2	2 15/16	4 5/16	6	7 1/2	12/16	3 1/2	4	
[mm]	362	181	145	169	100	100	120	75	274	349	75	110	152	190	19	89	101	M12

TM00 9413 2297

TM02 0730 5100